

RF PCB Connector, SMP Male Limited Detent Connector Solder Attachment Thru Hole PCB

SMP male limited detent connector with solder attachment for thru hole PCB, part number FMCN44223, from Fairview Microwave is in-stock and ships same day. This SMP male connector operates up to a maximum frequency of 26.5 GHz. This blind mate connector is ideal for applications without direct visual or tactile access to the connection point, for example, when two circuit boards need to be mated.

Fairview's SMP male connector FMCN44223 datasheet specifications and outline drawing are shown in this PDF below. Our extensive offering of RF, microwave and millimeter wave connectors allows designers to configure and customize their signal connections however they like. From providing an I/O for a board design to creating a custom cable assembly configuration, Fairview Microwave has a connector solution to meet your needs. Fairview Microwave also has the expertise to build your custom cable assemblies for you and ship them same-day.

Electrical Specifications

| Description | Min | Typ | Max | Units |
|---------------------------|-------|-----|------|-------|
| Frequency Range | DC | | 26.5 | GHz |
| Operating Voltage (AC) | | | 335 | Vrms |
| Test Voltage (AC) | | | 500 | Vrms |
| Inner Cond. DC Resistance | | | 6 | mOhms |
| Outer Cond. DC Resistance | | | 2 | mOhms |
| Insulation Resistance | 5,000 | | | MOhms |

Performance by Frequency

| Description | F1 | F2 | F3 | F4 | F5 | Units |
|-------------|---------|--------|----|----|----|-------|
| Freq. Range | DC to 2 | 2 to 6 | | | | GHz |
| VSWR, Max | 1.11:1 | 1.23:1 | | | | |

Electrical Specification Notes:

Insertion loss = $0.05 \times \sqrt{f(\text{GHz})}$ dB max up to 6 GHz.

Mechanical Specifications

Size

| | |
|---------------|--------------------|
| Length | 0.28 in [7.11 mm] |
| Width/Dia. | 0.24 in [6.10 mm] |
| Height | 0.24 in [6.1 mm] |
| Weight | 0.003 lbs [1.36 g] |
| Mating Cycles | 500 Cycles |

Material Specifications

| Description | Material | Plating |
|-------------|----------|---------|
| Contact | Brass | Gold |
| Insulation | PEEK | |
| Body | Brass | Gold |



Configuration:

- Limited Detent SMP Male Connector
- MIL-STD-348A
- 50 Ohms
- Straight Body Geometry
- Thru Hole Interface Type
- Solder Attachment

Features:

- Operating Frequency of 26.5 GHz Max.
- Blind Mate Connector
- Gold Plated Brass Contact

Applications:

- General Purpose Test
- PCB Applications

Fairview Microwave
301 Leora Ln., Suite 100
Lewisville, TX 75056
Tel: 1-800-715-4396 / (972) 649-6678
Fax: (972) 649-6689
www.fairviewmicrowave.com
sales@fairviewmicrowave.com

Environmental Specifications

Temperature

| | |
|-----------------|--------------------------------------|
| Operating Range | -65 to +155 deg C |
| Humidity | MIL-STD-202, Method 106 |
| Shock | MIL-STD-202, Method 213, Condition A |
| Vibration | MIL-STD-202, Method 204, Condition B |
| Thermal Shock | MIL-STD-202, Method 107, Condition B |

Compliance Certifications (see [product page](#) for current document)

Plotted and Other Data

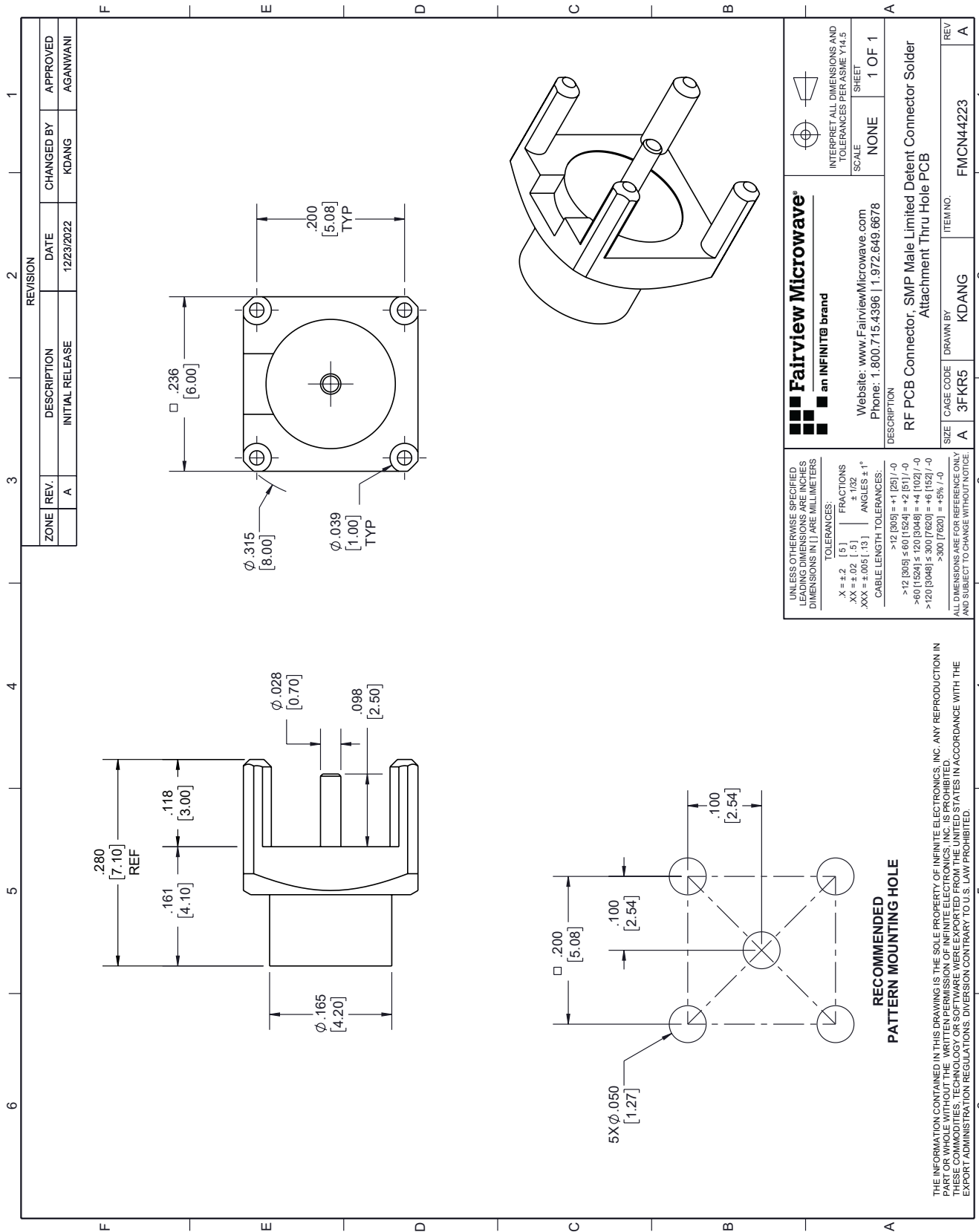
Notes:

RF PCB Connector, SMP Male Limited Detent Connector Solder Attachment Thru Hole PCB from Fairview Microwave is in-stock and available to ship same-day. All of our RF/microwave products are available off-the-shelf from our ISO 9001:2008 certified facilities in Lewisville, Texas. Fairview Microwave is RF on-demand.

For additional information on this product, please click the following link: [RF PCB Connector, SMP Male Limited Detent Connector Solder Attachment Thru Hole PCB FMCN44223](#)

URL: <https://www.fairviewmicrowave.com/smp-male-standard-thru-hole-pcb-connector-fmcn44223-p.aspx>

The information contained in this document is accurate to the best of our knowledge and representative of the part described herein. It may be necessary to make modifications to the part and/or the documentation of the part, in order to implement improvements. Fairview Microwave reserves the right to make such changes as required. Unless otherwise stated, all specifications are nominal. Fairview Microwave does not make any representation or warranty regarding the suitability of the part described herein for any particular purpose, and Fairview Microwave does not assume any liability arising out of the use of any part or documentation.



Fairview Microwave®
an INFINIT[®] brand

Website: www.FairviewMicrowave.com
Phone: 1.800.715.4396 | 1.972.649.6678

INTERPRET ALL DIMENSIONS AND TOLERANCES PER ASME Y14.5
SCALE: NONE
SHEET: 1 OF 1

DESCRIPTION:
RF PCB Connector, SMP Male Limited Detent Connector Solder Attachment Thru Hole PCB

| | | | | |
|------|-----------|----------|-----------|-----|
| SIZE | CAGE CODE | DRAWN BY | ITEM NO. | REV |
| A | 3FKR5 | KDANG | FMCN44223 | A |