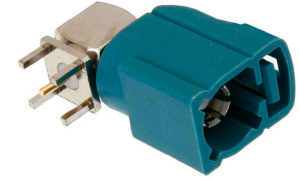


## RF PCB Connector, FAKRA Jack Right Angle Connector Solder Attachment Thru Hole PCB, Water Blue Color

RA FAKRA jack connector with solder attachment for thru hole PCB, water blue color, part number FMCN44248, from Fairview Microwave is in-stock and ships same day. This FAKRA jack connector operates up to a maximum frequency of 4 GHz and offers good VSWR of 1.5:1. Its right angle body geometry facilitates connections in tight spaces.

Fairview's RA FAKRA jack connector FMCN44248 datasheet specifications and outline drawing are shown in this PDF below. Our extensive offering of RF, microwave and millimeter wave connectors allows designers to configure and customize their signal connections however they like. From providing an I/O for a board design to creating a custom cable assembly configuration, Fairview Microwave has a connector solution to meet your needs. Fairview Microwave also has the expertise to build your custom cable assemblies for you and ship them same-day.



### Configuration:

- FAKRA Jack Connector
- 50 Ohms
- Right Angle Body Geometry
- Thru Hole Interface Type
- Solder Attachment

### Features:

- Operating Frequency of 4 GHz Max.
- Good VSWR of 1.5:1
- Gold Plated Phosphor Bronze Contact

### Applications:

- General Purpose Test
- PCB Applications

### Electrical Specifications

Description	Min	Typ	Max	Units
Frequency Range	DC		4	GHz
VSWR			1.5:1	
Operating Voltage (AC)			335	Vrms
DWV (AC)			1,000	Vrms
Inner Cond. DC Resistance			6	mOhms
Outer Cond. DC Resistance			2.5	mOhms
Insulation Resistance	1,000			MOhms

### Mechanical Specifications

Size	
Length	0.878 in [22.3 mm]
Width/Dia.	0.37 in [9.40 mm]
Height	0.674 in [17.12 mm]
Weight	0.013 lbs [5.9 g]

### Material Specifications

Description	Material	Plating
Contact	Phosphor Bronze	Gold
Insulation	PTFE	
Outer Conductor	Brass	Nickel
Body	Plastic	

Fairview Microwave  
301 Leora Ln., Suite 100  
Lewisville, TX 75056  
Tel: 1-800-715-4396 / (972) 649-6678  
Fax: (972) 649-6689  
[www.fairviewmicrowave.com](http://www.fairviewmicrowave.com)  
[sales@fairviewmicrowave.com](mailto:sales@fairviewmicrowave.com)

**Environmental Specifications**

**Temperature**

Operating Range -40 to +85 deg C

**Compliance Certifications** (see [product page](#) for current document)

**Plotted and Other Data**

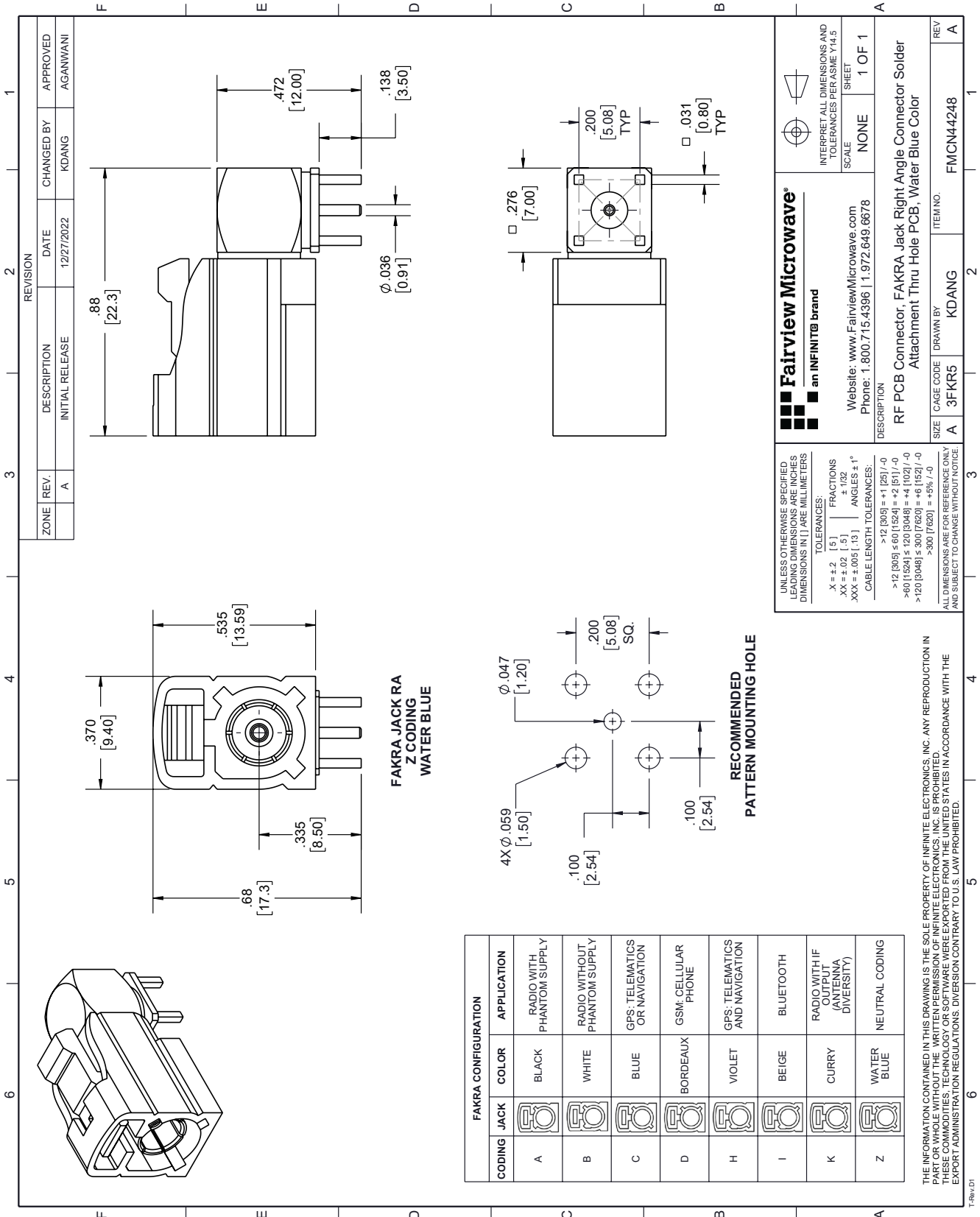
Notes:

RF PCB Connector, FAKRA Jack Right Angle Connector Solder Attachment Thru Hole PCB, Water Blue Color from Fairview Microwave is in-stock and available to ship same-day. All of our RF/microwave products are available off-the-shelf from our ISO 9001:2008 certified facilities in Lewisville, Texas. Fairview Microwave is RF on-demand.

For additional information on this product, please click the following link: [RF PCB Connector, FAKRA Jack Right Angle Connector Solder Attachment Thru Hole PCB, Water Blue Color FMCN44248](#)

URL: <https://www.fairviewmicrowave.com/fakra-jack-thru-hole-pcb-connector-fmcn44248-p.aspx>

The information contained in this document is accurate to the best of our knowledge and representative of the part described herein. It may be necessary to make modifications to the part and/or the documentation of the part, in order to implement improvements. Fairview Microwave reserves the right to make such changes as required. Unless otherwise stated, all specifications are nominal. Fairview Microwave does not make any representation or warranty regarding the suitability of the part described herein for any particular purpose, and Fairview Microwave does not assume any liability arising out of the use of any part or documentation.



<b>Fairview Microwave</b> an INFINIT <sup>®</sup> brand Website: <a href="http://www.FairviewMicrowave.com">www.FairviewMicrowave.com</a> Phone: 1.800.715.4396   1.972.649.6678	INTERPRET ALL DIMENSIONS AND TOLERANCES PER ASME Y14.5 SCALE: NONE SHEET: 1 OF 1
DESCRIPTION: RF PCB Connector, FAKRA Jack Right Angle Connector Solder Attachment Thru Hole PCB, Water Blue Color	
SIZE: A CAGE CODE: 3FKR5 DRAWN BY: KDANG ITEM NO.: FMCN44248	REV: A

UNLESS OTHERWISE SPECIFIED, ALL DIMENSIONS AND TOLERANCES ARE IN INCHES UNLESS OTHERWISE SPECIFIED. DIMENSIONS IN PARENTHESES ARE IN MILLIMETERS.

TOLERANCES:  
 .X = ±.2 (5) FRACTIONS ±.152  
 .XX = ±.02 (.5) ANGLES ± 1°  
 .XXX = ±.005 (.13)

CABLE LENGTH TOLERANCES:  
 >12 (305) = +1 (25) / -0  
 >60 (1524) ≤ 60 (1524) = +2 (51) / -0  
 >120 (3048) ≤ 120 (3048) = +4 (102) / -0  
 >240 (6096) ≤ 240 (6096) = +6 (152) / -0  
 >300 (7620) = +5% / -0

ALL DIMENSIONS ARE FOR REFERENCE ONLY AND SUBJECT TO CHANGE WITHOUT NOTICE.

FAKRA CONFIGURATION		APPLICATION	COLOR
CODING	JACK	RADIO WITH PHANTOM SUPPLY	BLACK
		RADIO WITHOUT PHANTOM SUPPLY	WHITE
		GPS, TELEMATICS OR NAVIGATION	BLUE
		GSM, CELLULAR PHONE	BORDEAUX
		GPS, TELEMATICS AND NAVIGATION	VIOLET
		BLUETOOTH	BEIGE
		RADIO WITH IF OUTPUT (ANTENNA DIVERSITY)	CURRY
		NEUTRAL CODING	WATER BLUE

THE INFORMATION CONTAINED IN THIS DRAWING IS THE SOLE PROPERTY OF INFINITE ELECTRONICS, INC. ANY REPRODUCTION IN WHOLE OR IN PART WITHOUT THE WRITTEN PERMISSION OF INFINITE ELECTRONICS, INC. IS PROHIBITED. THESE COMMODITY TECHNOLOGY OF SOFTWARE WERE EXPORTED FROM THE UNITED STATES IN ACCORDANCE WITH THE EXPORT ADMINISTRATION REGULATIONS. DIVERSION CONTRARY TO U.S. LAW PROHIBITED.