

RA MMCX Plug Non-Magnetic Connector Crimp/Solder Attachment for RG178 Cable

RA MMCX Plug Non-Magnetic Connector Crimp/Solder Attachment for RG178 Cable, part number FMCN45862, from Fairview Microwave is in-stock and ships same day. This MMCX plug connector operates up to a maximum frequency of 6 GHz and offers good VSWR of 1.35:1. Its right angle body geometry facilitates connections in tight spaces. Fairview's Non Magnetic connectors are manufactured with materials that are especially adapted to non magnetism. Our non-magnetic connectors have a susceptibility of around 10^{-5} , as opposed to 10^{-2} for standard connectors made of brass/nickel materials. As a result, our non-magnetic connectors are transparent to the magnetic field, which means no field distortion and a higher Signal-to-Noise Ratio (SNR).

Fairview's RA MMCX plug connector FMCN45862 datasheet specifications and outline drawing are shown in this PDF below. Our extensive offering of RF, microwave and millimeter wave connectors allows designers to configure and customize their signal connections however they like. From providing an I/O for a board design to creating a custom cable assembly configuration, Fairview Microwave has a connector solution to meet your needs. Fairview Microwave also has the expertise to build your custom cable assemblies for you and ship them same-day.

Electrical Specifications

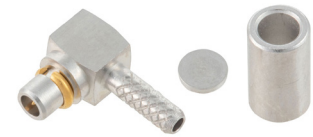
Description	Min	Typ	Max	Units
Frequency Range	DC		6	GHz
VSWR			1.35:1	
Insertion Loss			0.1	dB
DWV (AC)			500	Vrms
Insulation Resistance	1,000			MOhms

Mechanical Specifications

Size	
Length	0.429 in [10.9 mm]
Width/Dia.	0.207 in [5.26 mm]
Height	0.207 in [5.26 mm]
Weight	0.00192 lbs [0.87 g]
Mating Cycles	500 Cycles

Material Specifications

Description	Material	Plating
Contact	Beryllium Copper	Gold over Copper
Body	Beryllium Copper	Copper-Tin-Zinc Alloy



Configuration:

- MMCX Plug Connector
- 50 Ohms
- Right Angle Body Geometry
- RG178 Interface Type
- Crimp/Solder Attachment
- Non-Magnetic Design

Features:

- Operating Frequency of 6 GHz Max.
- Good VSWR of 1.35:1
- Gold over Copper Plated Beryllium Copper Contact
- Magnetic Susceptibility 10^{-5}

Applications:

- General Purpose Test
- Custom Cable Assemblies
- Medical
- Military and Aerospace
- Quantum Computing

Fairview Microwave
 301 Leora Ln., Suite 100
 Lewisville, TX 75056
 Tel: 1-800-715-4396 / (972) 649-6678
 Fax: (972) 649-6689
www.fairviewmicrowave.com
sales@fairviewmicrowave.com

Environmental Specifications

Temperature

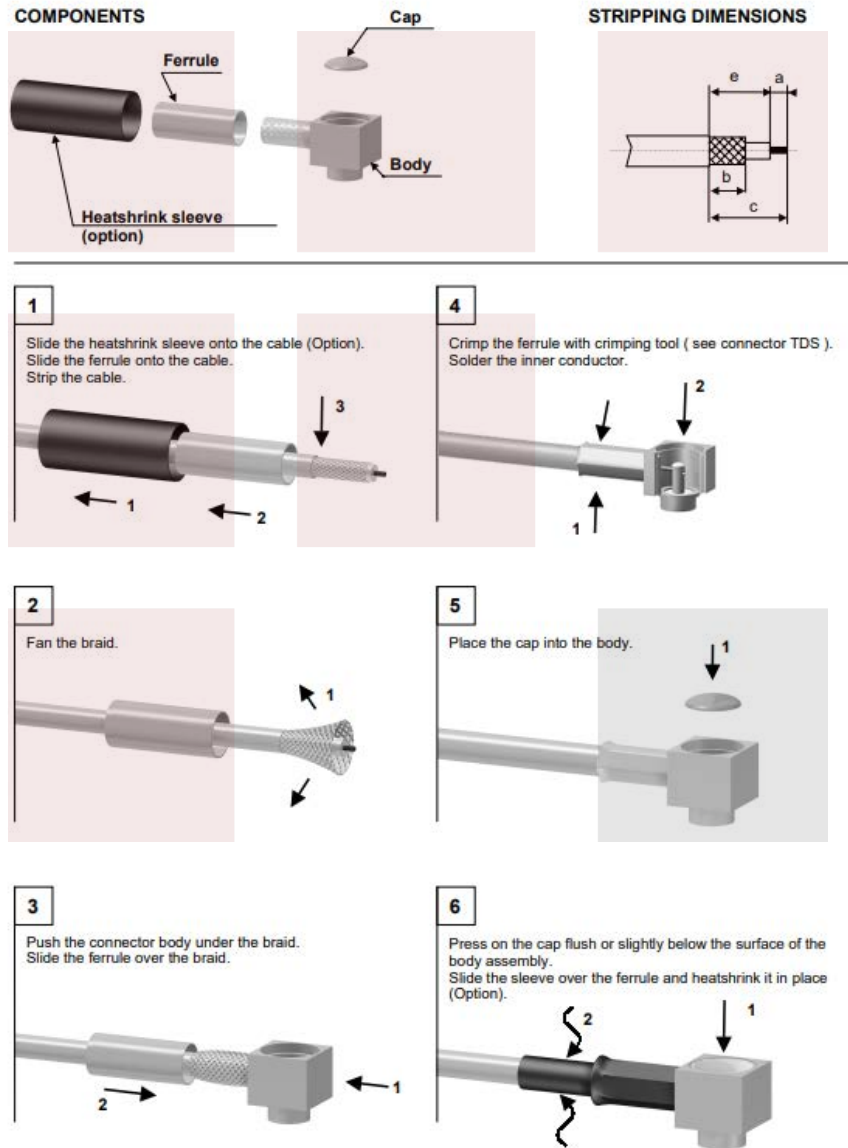
Operating Range -55 to +155 deg C

Compliance Certifications (see [product page](#) for current document)

Plotted and Other Data

Notes:

Assembly Instruction



RA MMCX Plug Non-Magnetic Connector Crimp/Solder Attachment for RG178 Cable from Fairview Microwave is in-stock and available to ship same-day. All of our RF/microwave products are available off-the-shelf from our ISO 9001:2008 certified facilities in Lewisville, Texas. Fairview Microwave is RF on-demand.

For additional information on this product, please click the following link: [RA MMCX Plug Non-Magnetic Connector Crimp/Solder Attachment for RG178 Cable FMCN45862](#)

URL: <https://www.fairviewmicrowave.com/mmcx-plug-rg178-connector-fmcn45862-p.aspx>

The information contained in this document is accurate to the best of our knowledge and representative of the part described herein. It may be necessary to make modifications to the part and/or the documentation of the part, in order to implement improvements. Fairview Microwave reserves the right to make such changes as required. Unless otherwise stated, all specifications are nominal. Fairview Microwave does not make any representation or warranty regarding the suitability of the part described herein for any particular purpose, and Fairview Microwave does not assume any liability arising out of the use of any part or documentation.



