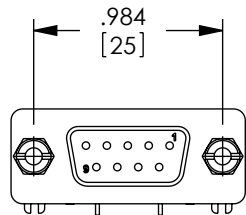
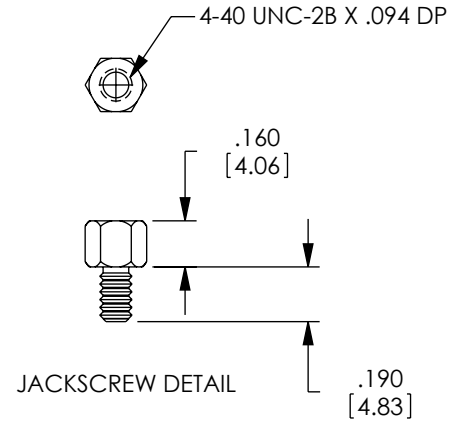
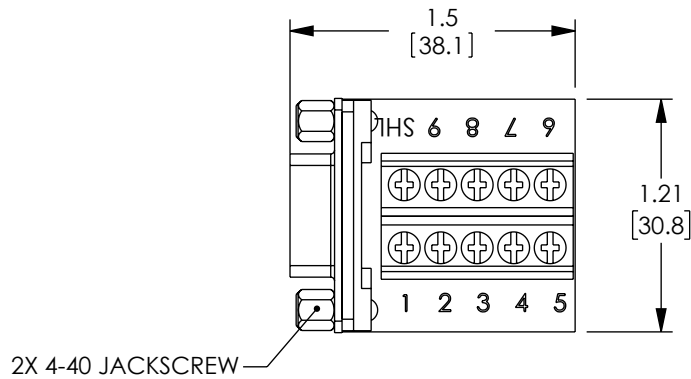
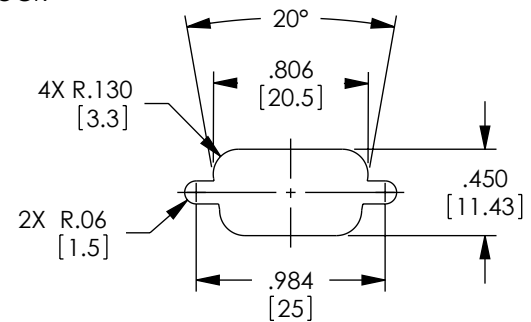
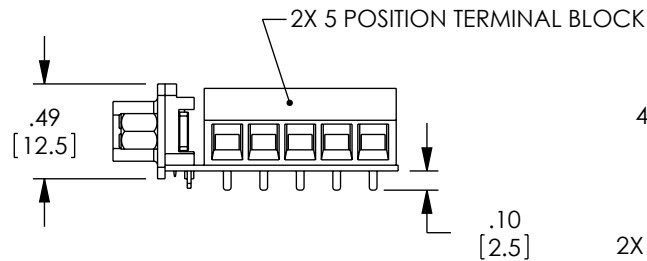


| REVISION | | | | | |
|----------|------|-----------------|------------|------------|-------------|
| ZONE | REV. | DESCRIPTION | DATE | CHANGED BY | APPROVED BY |
| | A | INITIAL RELEASE | 09/08/2023 | BPUCHASKI | GUTTADAURO |

| WIRING TABLE | |
|--------------|------------------|
| DB9 PIN # | TERMINAL BLOCK # |
| 1 | 1 |
| 2 | 2 |
| 3 | 3 |
| 4 | 4 |
| 5 | 5 |
| 6 | 6 |
| 7 | 7 |
| 8 | 8 |
| 9 | 9 |
| SHELL | SHL |



FEMALE, 9 CONTACT D-SUB CONNECTOR



NOTES:

VOLTAGE RATING: 1000V AC & 500V DC.
CURRENT RATING: 3 AMPS

REGULATORY COMPLIANCE:
EU RoHS DIRECTIVE (MOST RECENT RELATED VERSION)

THE INFORMATION CONTAINED IN THIS DRAWING IS THE SOLE PROPERTY OF INFINITE ELECTRONICS, INC. ANY REPRODUCTION IN PART OR WHOLE WITHOUT THE WRITTEN PERMISSION OF INFINITE ELECTRONICS, INC. IS PROHIBITED. THESE COMMODITIES, TECHNOLOGY OR SOFTWARE WERE EXPORTED FROM THE UNITED STATES IN ACCORDANCE WITH THE EXPORT ADMINISTRATION REGULATIONS. DIVERSION CONTRARY TO U.S. LAW PROHIBITED.

UNLESS OTHERWISE SPECIFIED LEADING DIMENSIONS ARE INCHES DIMENSIONS IN [] ARE MILLIMETERS

| TOLERANCES: | |
|--------------------------|------------------|
| X = ±.2 [5] | FRACTIONS ± 1/32 |
| .XX = ±.02 [0.5] | ANGLES ± 1° |
| .XXX = ±.005 [0.13] | |
| CABLE LENGTH TOLERANCES: | |
| >12 [305] ≤ 60 [1524] | = +1 [25] / -0 |
| >60 [1524] ≤ 120 [3048] | = +2 [51] / -0 |
| >120 [3048] ≤ 300 [7620] | = +6 [152] / -0 |
| >300 [7620] | = +5% / -0 |

ALL DIMENSIONS ARE FOR REFERENCE ONLY AND SUBJECT TO CHANGE WITHOUT NOTICE. UN-DIMENSIONED/NON-CRITICAL FEATURES MAY VARY IN SIZE AND LOCATION. COLORS MAY VARY.

| | | | |
|---|-----------|---|-----------|
| <p>Fairview Microwave an INFINIT@ brand</p> | | <p>INTERPRET ALL DIMENSIONS AND TOLERANCES PER ASME Y14.5</p> | |
| <p>Website: www.FairviewMicrowave.com Phone: 1.800.715.4396 1.972.649.6678</p> | | SCALE | SHEET |
| | | NONE | 1 OF 1 |
| DESCRIPTION | | | |
| DB9 FEMALE CONNECTOR FOR FIELD TERMINATION | | | |
| SIZE | CAGE CODE | DRAWN BY | ITEM NO. |
| A | 3FKR5 | BPUCHASKI | FMCN45979 |
| | | | REV |
| | | | A |