

BMMA Female (Jack) Connector Solder Attachment
Snap in for FM-SR086CU, FM-SR086CUTN, FM-SR086ALTN, FM-SR086TB, FM-SR086TBJ, 0.085 Cable



FMCN5136

Configuration

- BMMA Female Connector
- 50 Ohms
- Straight Body Geometry
- Connector Interface Types: FM-SR086CU, FM-SR086CUTN, FM-SR086ALTN, FM-SR086TB, FM-SR086TBJ, FM-F086, 0.085 Cable, RG405
- Snap in

Features

- Operating Frequency of 22 GHz Max.
- Good VSWR of 1.35:1
- Gold Plated Beryllium Copper Contact

Applications

- General Purpose Test
- Custom Cable Assemblies

Description

BMMA Female Snap in Mount Standard Snap in Mount Connector Solder Attachment for FM-SR086CU, FM-SR086CUTN, FM-SR086ALTN, FM-SR086TB, FM-SR086TBJ, FM-F086, 0.085 Cable and RG405 Cable, part number FMCN5136, from Fairview Microwave is in-stock and ships same day. This BMMA female connector operates up to a maximum frequency of 22 GHz and offers good VSWR of 1.35:1.

Fairview's BMMA female snap in connector FMCN5136 datasheet specifications and outline drawing are shown in this PDF below. Our extensive offering of RF, microwave and millimeter wave connectors allows designers to configure and customize their signal connections however they like. From providing an I/O for a board design to creating a custom cable assembly configuration, Fairview Microwave has a connector solution to meet your needs. Fairview Microwave also has the expertise to build your custom cable assemblies for you and ship them same-day.

Electrical Specifications

Description	Minimum	Typical	Maximum	Units
Frequency Range	DC		22	GHz
VSWR			1.35:1	
Insertion Loss			0.562	dB
Impedance		50		Ohms

Mechanical Specifications

Size

- Length 0.711 in [18.06 mm]
- Width 0.3 in [7.62 mm]
- Height 0.3 in [7.62 mm]
- Weight 0.005 lbs [2.27 g]
- Mating Cycles 500 Cycles

BMMA Female (Jack) Connector Solder Attachment
Snap in for FM-SR086CU, FM-SR086CUTN, FM-SR086ALTN, FM-SR086TB, FM-SR086TBJ, 0.085 Cable



FMCN5136

Material Specifications

Description	Material	Plating
Contact	Beryllium Copper	Gold
Insulation	PTFE	
Outer Conductor	Beryllium Copper	Gold
Body	Stainless Steel	Gold

Environmental Specifications

Temperature

Operating Range -65 to +165 deg C

Compliance Certifications (see [product page](#) for current document)

Plotted and Other Data

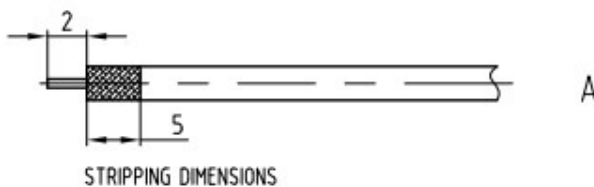
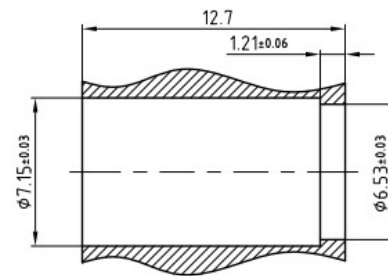
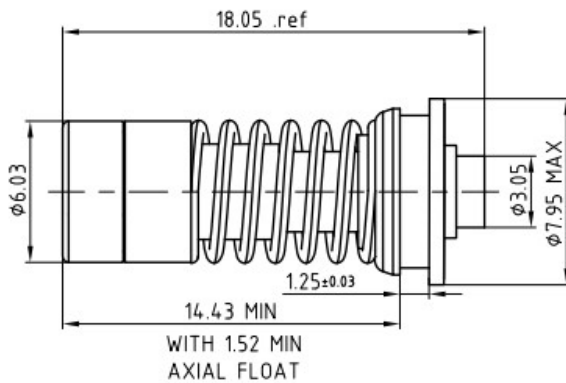
Notes:

BMMA Female (Jack) Connector Solder Attachment
Snap in for FM-SR086CU, FM-SR086CUTN, FM-SR086ALTN, FM-SR086TB, FM-SR086TBJ, 0.085 Cable



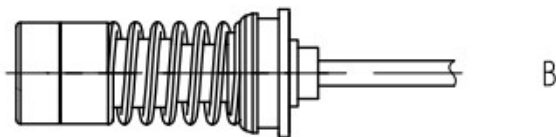
FMCN5136

Assembly Instruction



ASSEMBLY PROCEDURES

1. STRIP CABLE AS SHOWN IN (A). DO NOT NICK INNER CONDUCTOR.
2. PRE-TIN CABLE JACKET TO APPROXIMATE DIMENSION AS SHOWN IN (A).
3. INSERT CABLE THRU ADAPTER UNTIL IT BOTTOMS. SOLDER



BMMA Female (Jack) Connector Solder Attachment
Snap in for FM-SR086CU, FM-SR086CUTN, FM-
SR086ALTN, FM-SR086TB, FM-SR086TBJ, 0.085 Cable



FMCN5136

BMMA Female (Jack) Connector Solder Attachment Snap in for FM-SR086CU, FM-SR086CUTN, FM-SR086ALTN, FM-SR086TB, FM-SR086TBJ, 0.085 Cable from Fairview Microwave is in-stock and available to ship same-day. All of our RF/microwave products are available off-the-shelf from our ISO 9001:2008 certified facilities in Lewisville, Texas. Fairview Microwave is RF on-demand.

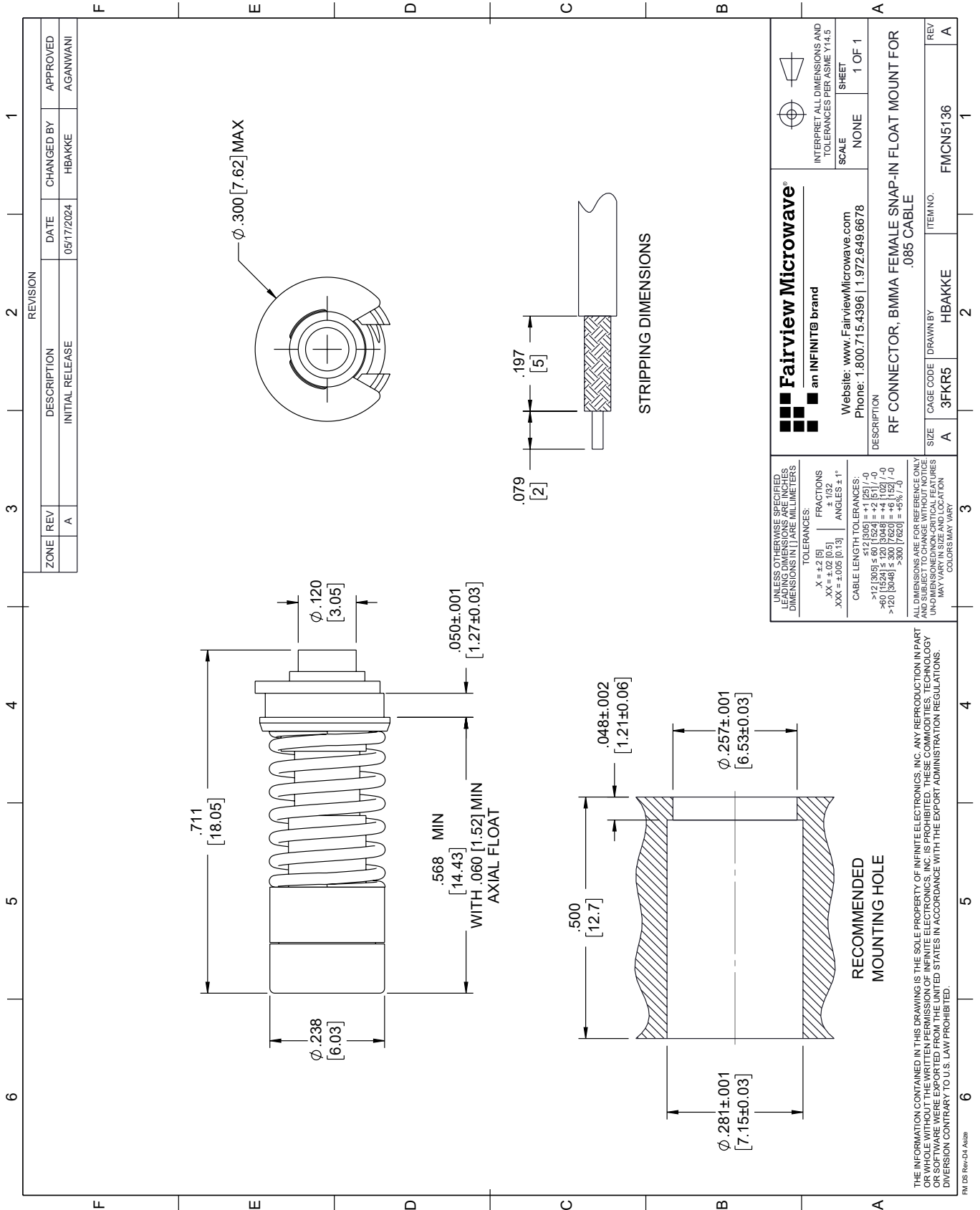
For additional information on this product, please click the following link: [BMMA Female \(Jack\) Connector Solder Attachment Snap in for FM-SR086CU, FM-SR086CUTN, FM-SR086ALTN, FM-SR086TB, FM-SR086TBJ, 0.085 Cable FMCN5136](#)

URL: <https://www.fairviewmicrowave.com/bmma-female-.085-cable-connector-fmcn5136-p.aspx>

The information contained within this document is accurate to the best of our knowledge and representative of the part described herein. It may be necessary to make modifications to the part and/or the documentation of the part in order to implement improvements. Fairview Microwave reserves the right to make such changes as required. Unless otherwise stated, all specifications are nominal. Fairview Microwave does not make any representation or warranty regarding the suitability of the part described herein for any particular purpose, and Fairview Microwave does not assume liability arising out of the use of any part or document.

FMCN5136 CAD Drawing

BMMA Female (Jack) Connector Solder Attachment Snap in for FM-SR086CU, FM-SR086CUTN, FM-SR086ALTN, FM-SR086TB, FM-SR086TBJ, 0.085 Cable



ZONE	REV	DESCRIPTION	DATE	CHANGED BY	APPROVED
	A	INITIAL RELEASE	05/17/2024	HBAKKE	AGANWANI

Fairview Microwave®
an INFINIT® brand

Website: www.FairviewMicrowave.com
Phone: 1.800.715.4396 | 1.972.649.6678

UNLESS OTHERWISE SPECIFIED, LEADING DIMENSIONS ARE IN INCHES. DIMENSIONS IN [] ARE MILLIMETERS.

TOLERANCES:
 .X = ±.2 [5] FRACTIONS ± 1/32
 .XX = ±.02 [0.5] ANGLES ± 1°
 .XXX = ±.005 [0.13]

CABLE LENGTH TOLERANCES:
 <12 [305] ≤ 60 [1524] = +1 [25] / -0
 >60 [1524] ≤ 120 [3048] = +4 [102] / -0
 >120 [3048] ≤ 300 [7620] = +5% / -0

ALL DIMENSIONS ARE FOR REFERENCE ONLY. DIMENSIONS OF PARTS MAY VARY IN SIZE AND LOCATION. COLORS MAY VARY.

UNLESS OTHERWISE SPECIFIED, LEADING DIMENSIONS AND TOLERANCES PER ASME Y14.5

SCALE: NONE SHEET: 1 OF 1

DESCRIPTION: RF CONNECTOR, BMMA FEMALE SNAP-IN FLOAT MOUNT FOR .085 CABLE

ITEM NO. FMCN5136

SIZE A CAGE CODE 3FKR5 DRAWN BY HBAKKE

THE INFORMATION CONTAINED IN THIS DRAWING IS THE SOLE PROPERTY OF INFINITE ELECTRONICS, INC. ANY REPRODUCTION IN PART OR WHOLE WITHOUT THE WRITTEN PERMISSION OF INFINITE ELECTRONICS, INC. IS PROHIBITED. THESE COMMODITIES, TECHNOLOGY OR SOFTWARE WERE EXPORTED FROM THE UNITED STATES IN ACCORDANCE WITH THE EXPORT ADMINISTRATION REGULATIONS. DIVERSION CONTRARY TO U.S. LAW PROHIBITED.

FM DS Rev-D4 Alt26