

BMA Male (Plug) Connector, Slide-On Hermetically Sealed, Commercial Grade



FMCN5242

Configuration

- Slide-On BMA Male Connector
- 50 Ohms
- Straight Body Geometry
- Thread-In

Features

- Operating Frequency of 22 GHz Max.
- Good VSWR of 1.3:1
- Blind Mate Connector
- Hermetically Sealed
- Gold Plated Beryllium Copper Contact

Applications

- General Purpose Test
- Phased Array Systems
- Blind Mating
- RF Backplanes
- Rack and Panel
- Base Stations
- Test I/O

Description

BMA Male Thread-In Mount Slide-On Hermetically Sealed Thread-In Mount Connector None Attachment, part number FMCN5242, from Fairview Microwave is in-stock and ships same day. This BMA male connector operates up to a maximum frequency of 22 GHz and offers good VSWR of 1.3:1. This blind mate connector is ideal for applications without direct visual or tactile access to the connection point, for example, when two circuit boards need to be mated.

Fairview's BMA male thread-in connector FMCN5242 datasheet specifications and outline drawing are shown in this PDF below. Our extensive offering of RF, microwave and millimeter wave connectors allows designers to configure and customize their signal connections however they like. From providing an I/O for a board design to creating a custom cable assembly configuration, Fairview Microwave has a connector solution to meet your needs. Fairview Microwave also has the expertise to build your custom cable assemblies for you and ship them same-day.

Electrical Specifications

Description	Minimum	Typical	Maximum	Units
Frequency Range	DC		22	GHz
VSWR			1.3:1	
Insertion Loss			0.32	dB
Operating Voltage (AC)			500	Vrms
Dielectric Withstanding Voltage (AC)			1,500	Vrms
Insulation Resistance	5,000			MOhms
Impedance		50		Ohms

Mechanical Specifications

Size

Length	0.47 in [11.94 mm]
Width	0.25 in [6.35 mm]
Height	0.25 in [6.35 mm]
Weight	0.01 lbs [4.54 g]
Mating Cycles	1,000 Cycles

BMA Male (Plug) Connector, Slide-On
Hermetically Sealed, Commercial Grade



FMCN5242

Material Specifications

Description	Material	Plating
Contact	Beryllium Copper	Gold
Insulation	PTFE	
Body	Stainless Steel	Gold

Environmental Specifications

Temperature

Operating Range

-65 to +125 deg C

Hermetic Seal

1E-8 atm. cm³/s (Helium)

Compliance Certifications (see [product page](#) for current document)

Plotted and Other Data

Notes:

BMA Male (Plug) Connector, Slide-On Hermetically Sealed, Commercial Grade from Fairview Microwave is in-stock and available to ship same-day. All of our RF/microwave products are available off-the-shelf from our ISO 9001:2008 certified facilities in Lewisville, Texas. Fairview Microwave is RF on-demand.

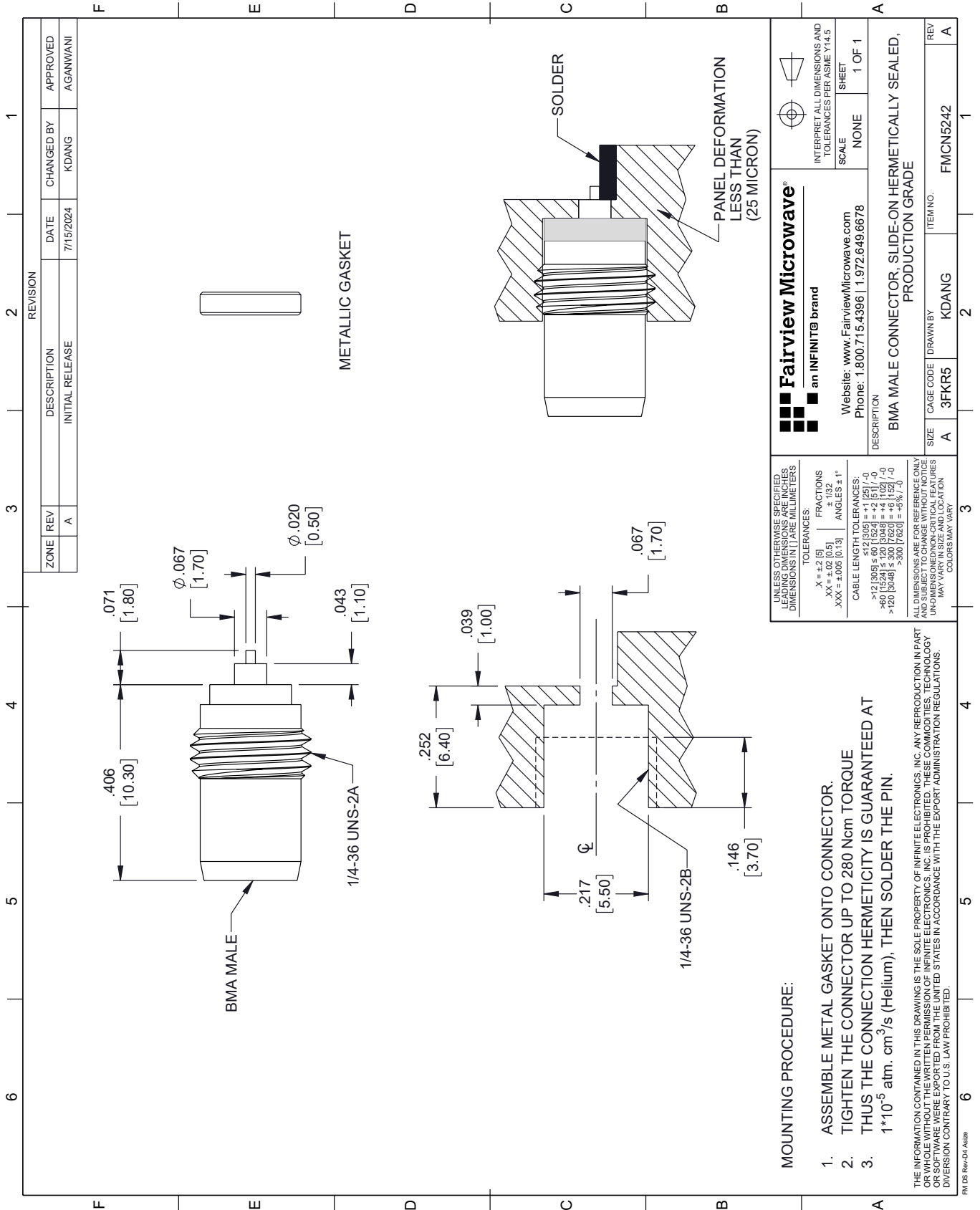
For additional information on this product, please click the following link: [BMA Male \(Plug\) Connector, Slide-On Hermetically Sealed, Commercial Grade FMCN5242](#)

URL: <https://www.fairviewmicrowave.com/bma-male-slide-on-terminal-connector-fmcn5242-p.aspx>

The information contained within this document is accurate to the best of our knowledge and representative of the part described herein. It may be necessary to make modifications to the part and/or the documentation of the part in order to implement improvements. Fairview Microwave reserves the right to make such changes as required. Unless otherwise stated, all specifications are nominal. Fairview Microwave does not make any representation or warranty regarding the suitability of the part described herein for any particular purpose, and Fairview Microwave does not assume liability arising out of the use of any part or document.

FMCN5242 CAD Drawing

BMA Male (Plug) Connector, Slide-On Hermetically Sealed, Commercial Grade



ZONE	REV	DESCRIPTION	DATE	CHANGED BY	APPROVED
	A	INITIAL RELEASE	7/15/2024	KDANG	AGANWANI

REVISION	DESCRIPTION	DATE	CHANGED BY	APPROVED
	INITIAL RELEASE	7/15/2024	KDANG	AGANWANI

Fairview Microwave®
an INFINITI® brand

Website: www.FairviewMicrowave.com
Phone: 1.800.715.4396 | 1.972.649.6678

UNLESS OTHERWISE SPECIFIED, LEADING DIMENSIONS ARE IN INCHES. DIMENSIONS IN [] ARE MILLIMETERS.

TOLERANCES:
 .X = ±.2 [5] FRACTIONS ± 1/32
 .XX = ±.02 [0.5] ± 1/32
 .XXX = ±.005 [0.13] ANGLES ± 1°

CABLE LENGTH TOLERANCES:
 <12 [305] ≤ 60 [1524] = ±1 [25] / -0
 >60 [1524] ≤ 120 [3048] = ±4 [102] / -0
 >120 [3048] ≤ 300 [7620] = ±5% / ± 0

ALL DIMENSIONS ARE FOR REFERENCE ONLY. UNDIMENSIONED NON-CRITICAL FEATURES MAY VARY IN SIZE AND LOCATION. COLORS MAY VARY.

INTERPRET ALL DIMENSIONS AND TOLERANCES PER ASME Y14.5
SCALE NONE SHEET 1 OF 1

DESCRIPTION: BMA MALE CONNECTOR, SLIDE-ON HERMETICALLY SEALED, PRODUCTION GRADE

REV	A
ITEM NO.	FMCN5242
CAGE CODE	3FKR5
DRAWN BY	KDANG

MOUNTING PROCEDURE:

1. ASSEMBLE METAL GASKET ONTO CONNECTOR.
2. TIGHTEN THE CONNECTOR UP TO 280 Ncm TORQUE
3. THUS THE CONNECTION HERMETICITY IS GUARANTEED AT 1*10⁻⁵ atm. cm³/s (Helium), THEN SOLDER THE PIN.

THE INFORMATION CONTAINED IN THIS DRAWING IS THE SOLE PROPERTY OF INFINITE ELECTRONICS, INC. ANY REPRODUCTION IN PART OR WHOLE WITHOUT THE WRITTEN PERMISSION OF INFINITE ELECTRONICS, INC. IS PROHIBITED. THESE COMMODITIES, TECHNOLOGY OR SOFTWARE WERE EXPORTED FROM THE UNITED STATES IN ACCORDANCE WITH THE EXPORT ADMINISTRATION REGULATIONS. DIVERSION CONTRARY TO U.S. LAW PROHIBITED.

FM DS Rev-D4 Alt2b