

RA SMA Male (Plug) Connector Crimp/Solder Attachment
for RG58CU, LMR-195, LMR-195-FR, LMR-195-LLPL, LMR-195-UF, LMR-LW195, RG303HV Cable



FMCN5271

Configuration

- SMA Male Connector
- MIL-STD-348A
- 50 Ohms
- Right Angle Body Geometry
- Connector Interface Types: RG58CU, LMR-195, LMR-195-FR, LMR-195-LLPL, LMR-195-UF, LMR-LW195, RG303HV, TCOM-195, TCOM-195-FR
- 5/16 inch Hex

Features

- Operating Frequency of 12.4 GHz Max.
- Good VSWR of 1.4:1
- Gold Plated Brass Contact
- 50 µin minimum contact plating

Applications

- General Purpose Test
- Custom Cable Assemblies

Description

RASMA Male Standard Connector Crimp/Solder Attachment for RG58CU, LMR-195, LMR-195-FR, LMR-195-LLPL, LMR-195-UF, LMR-LW195, RG303HV, TCOM-195 and TCOM-195-FR Cable, part number FMCN5271, from Fairview Microwave is in-stock and ships same day. This SMA male connector operates up to a maximum frequency of 12.4 GHz and offers good VSWR of 1.4:1. Its right angle body geometry facilitates connections in tight spaces.

Fairview's RA SMA male connector FMCN5271 datasheet specifications and outline drawing are shown in this PDF below. Our extensive offering of RF, microwave and millimeter wave connectors allows designers to configure and customize their signal connections however they like. From providing an I/O for a board design to creating a custom cable assembly configuration, Fairview Microwave has a connector solution to meet your needs. Fairview Microwave also has the expertise to build your custom cable assemblies for you and ship them same-day.

Electrical Specifications

Description	Minimum	Typical	Maximum	Units
Frequency Range	DC		12.4	GHz
VSWR			1.4:1	
Operating Voltage (AC)			500	Vrms
Impedance		50		Ohms

Mechanical Specifications

Size

- Length 0.8 in [20.32 mm]
- Width 0.315 in [8 mm]
- Height 0.65 in [16.51 mm]
- Weight 0.017 lbs [7.71 g]
- Mating Torque 3 to 5 in-lbs [[0.34 to 0.57 Nm]]

RA SMA Male (Plug) Connector Crimp/Solder Attachment for RG58CU, LMR-195, LMR-195-FR, LMR-195-LLPL, LMR-195-UF, LMR-LW195, RG303HV Cable



FMCN5271

Material Specifications

Description	Material	Plating
Contact	Brass	Gold 50 µin minimum
Insulation	PTFE	
Body	Brass	Nickel 100 µin minimum
Coupling Nut	Brass	Nickel 100 µin minimum
Crimp Sleeve	Brass	Nickel

Environmental Specifications

Temperature

Operating Range -65 to +165 deg C

Compliance Certifications (see [product page](#) for current document)

Plotted and Other Data

Notes:

RA SMA Male (Plug) Connector Crimp/Solder Attachment for RG58CU, LMR-195, LMR-195-FR, LMR-195-LLPL, LMR-195-UF, LMR-LW195, RG303HV Cable from Fairview Microwave is in-stock and available to ship same-day. All of our RF/microwave products are available off-the-shelf from our ISO 9001:2008 certified facilities in Lewisville, Texas. Fairview Microwave is RF on-demand.

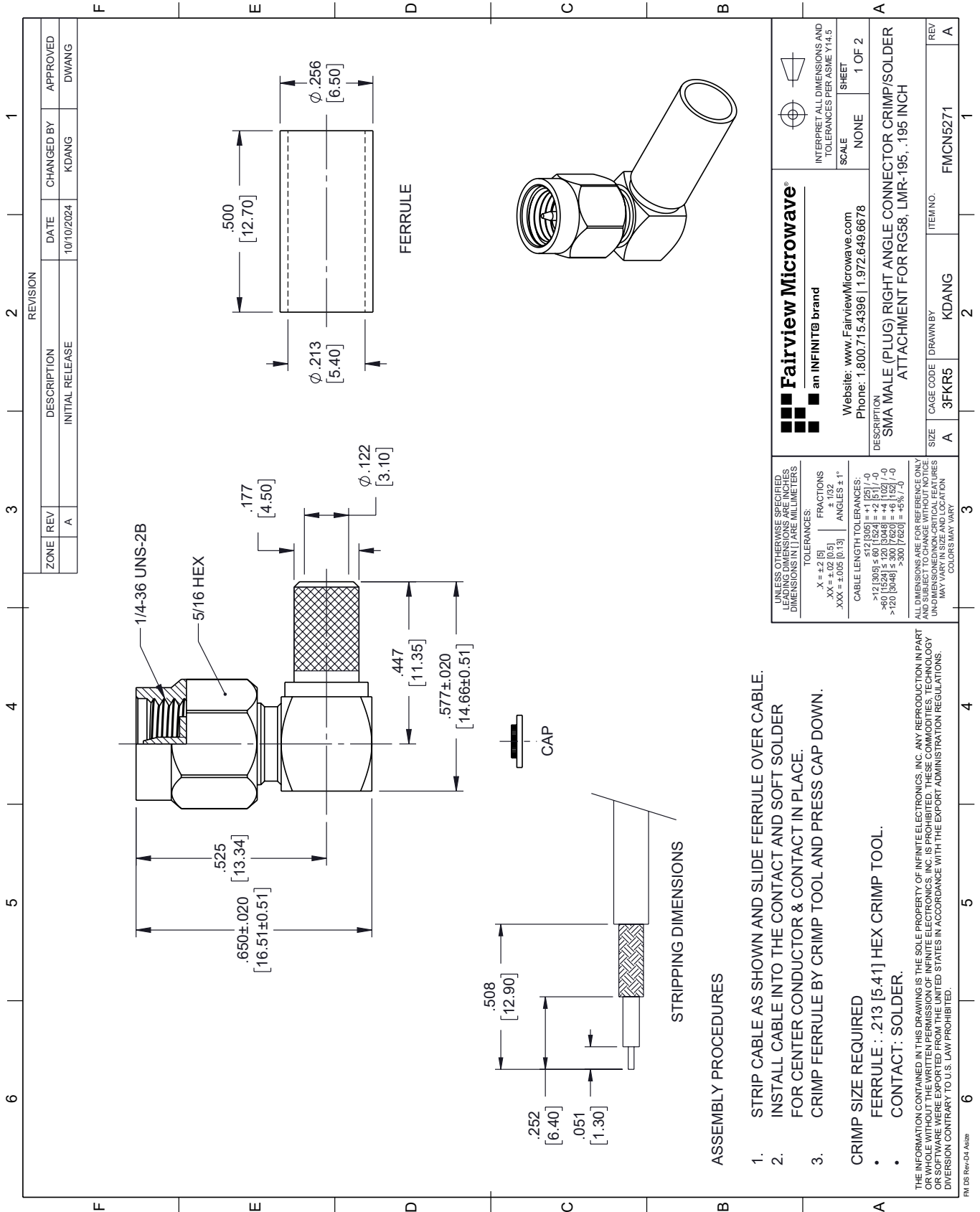
For additional information on this product, please click the following link: [RA SMA Male \(Plug\) Connector Crimp/Solder Attachment for RG58CU, LMR-195, LMR-195-FR, LMR-195-LLPL, LMR-195-UF, LMR-LW195, RG303HV Cable FMCN5271](#)

URL: <https://www.fairviewmicrowave.com/sma-male-rg58cu-lmr-195-lmr-195-fr-lmr-195-llpl-lmr-195-uf-lmr-lw195-rg303hv-tcom-195-tcom-195-fr-connector-fmcn5271-p.aspx>

The information contained within this document is accurate to the best of our knowledge and representative of the part described herein. It may be necessary to make modifications to the part and/or the documentation of the part in order to implement improvements. Fairview Microwave reserves the right to make such changes as required. Unless otherwise stated, all specifications are nominal. Fairview Microwave does not make any representation or warranty regarding the suitability of the part described herein for any particular purpose, and Fairview Microwave does not assume liability arising out of the use of any part or document.

FMCN5271 CAD Drawing

RA SMA Male (Plug) Connector Crimp/Solder Attachment for RG58CU, LMR-195, LMR-195-FR, LMR-195-LLPL, LMR-195-UF, LMR-LW195, RG303HV Cable



ZONE	REV	DESCRIPTION	DATE	CHANGED BY	APPROVED
	A	INITIAL RELEASE	10/10/2024	KDANG	DWANG

 Fairview Microwave® an INFINITB brand		Website: www.FairviewMicrowave.com Phone: 1.800.715.4396 1.972.649.6678
UNLESS OTHERWISE SPECIFIED, LEADING DIMENSIONS ARE IN INCHES. DIMENSIONS IN [] ARE MILLIMETERS.		INTERPRET ALL DIMENSIONS AND TOLERANCES PER ASME Y14.5
TOLERANCES: .X = ±.2 [5] .XX = ±.02 [0.5] .XXX = ±.005 [0.13]		SCALE: NONE SHEET: 1 OF 2
FRACTIONS: ± 1/32 ANGLES: ± 1°		
CABLE LENGTH TOLERANCES: ≤ 12 [305] ≤ 60 [1524] = ± 1 [25] / -0 > 12 [305] ≤ 60 [1524] = +2 [51] / -0 > 60 [1524] ≤ 120 [3048] = +4 [102] / -0 > 120 [3048] ≤ 300 [7620] = +5% / -0		
ALL DIMENSIONS ARE FOR REFERENCE ONLY. UNDIMENSIONS/NON-CRITICAL FEATURES MAY VARY IN SIZE AND LOCATION. COLORS MAY VARY.		
DESCRIPTION SMA MALE (PLUG) RIGHT ANGLE CONNECTOR CRIMP/SOLDER ATTACHMENT FOR RG58, LMR-195, .195 INCH	SIZE A	ITEM NO. FMCN5271
CAGE CODE 3FKR5	DRAWN BY KDANG	REV A