

SMA Male (Plug) Connector Crimp/Solder Attachment for LMR-400, LMR-400-DB, LMR-400-FR, LMR-400-LLPX, LMR-400-UF, LMR-400-UF-FR Cable



FMCN5296

Configuration

- SMA Male Connector
- 50 Ohms
- Straight Body Geometry
- Connector Interface Types: LMR-400, LMR-400-DB, LMR-400-FR, LMR-400-LLPX, LMR-400-UF, LMR-400-UF-FR, LMR-LW400, TCOM-400, TCOM-400-FR
- 5/16 inch Hex

Features

- Operating Frequency of 12.4 GHz Max.
- Gold Plated Brass Contact

Applications

- General Purpose Test
- Custom Cable Assemblies

Description

SMA Male Standard Connector Crimp/Solder Attachment for LMR-400, LMR-400-DB, LMR-400-FR, LMR-400-LLPX, LMR-400-UF, LMR-400-UF-FR, LMR-LW400, TCOM-400 and TCOM-400-FR Cable, part number FMCN5296, from Fairview Microwave is in-stock and ships same day. This SMA male connector operates up to a maximum frequency of 12.4 GHz.

Fairview's SMA male connector FMCN5296 datasheet specifications and outline drawing are shown in this PDF below. Our extensive offering of RF, microwave and millimeter wave connectors allows designers to configure and customize their signal connections however they like. From providing an I/O for a board design to creating a custom cable assembly configuration, Fairview Microwave has a connector solution to meet your needs. Fairview Microwave also has the expertise to build your custom cable assemblies for you and ship them same-day.

Electrical Specifications

Description	Minimum	Typical	Maximum	Units
Frequency Range	DC		12.4	GHz
Impedance		50		Ohms

Mechanical Specifications

Size

Length	1.74 in [44.2 mm]
Width	0.71 in [18.03 mm]
Height	0.71 in [18.03 mm]
Weight	0.07 lbs [31.75 g]
Mating Torque	3 to 5 in-lbs [[0.34 to 0.57 Nm]]

Material Specifications

Description	Material	Plating
Contact	Brass	Gold
Insulation	PTFE	
Body	Brass	Gold
Coupling Nut	Brass	Gold

SMA Male (Plug) Connector Crimp/Solder Attachment for LMR-400, LMR-400-DB, LMR-400-FR, LMR-400-LLPX, LMR-400-UF, LMR-400-UF-FR Cable



FMCN5296

Environmental Specifications

Temperature

Operating Range

-65 to +165 deg C

Compliance Certifications (see [product page](#) for current document)

Plotted and Other Data

Notes:

SMA Male (Plug) Connector Crimp/Solder Attachment for LMR-400, LMR-400-DB, LMR-400-FR, LMR-400-LLPX, LMR-400-UF, LMR-400-UF-FR Cable from Fairview Microwave is in-stock and available to ship same-day. All of our RF/microwave products are available off-the-shelf from our ISO 9001:2008 certified facilities in Lewisville, Texas. Fairview Microwave is RF on-demand.

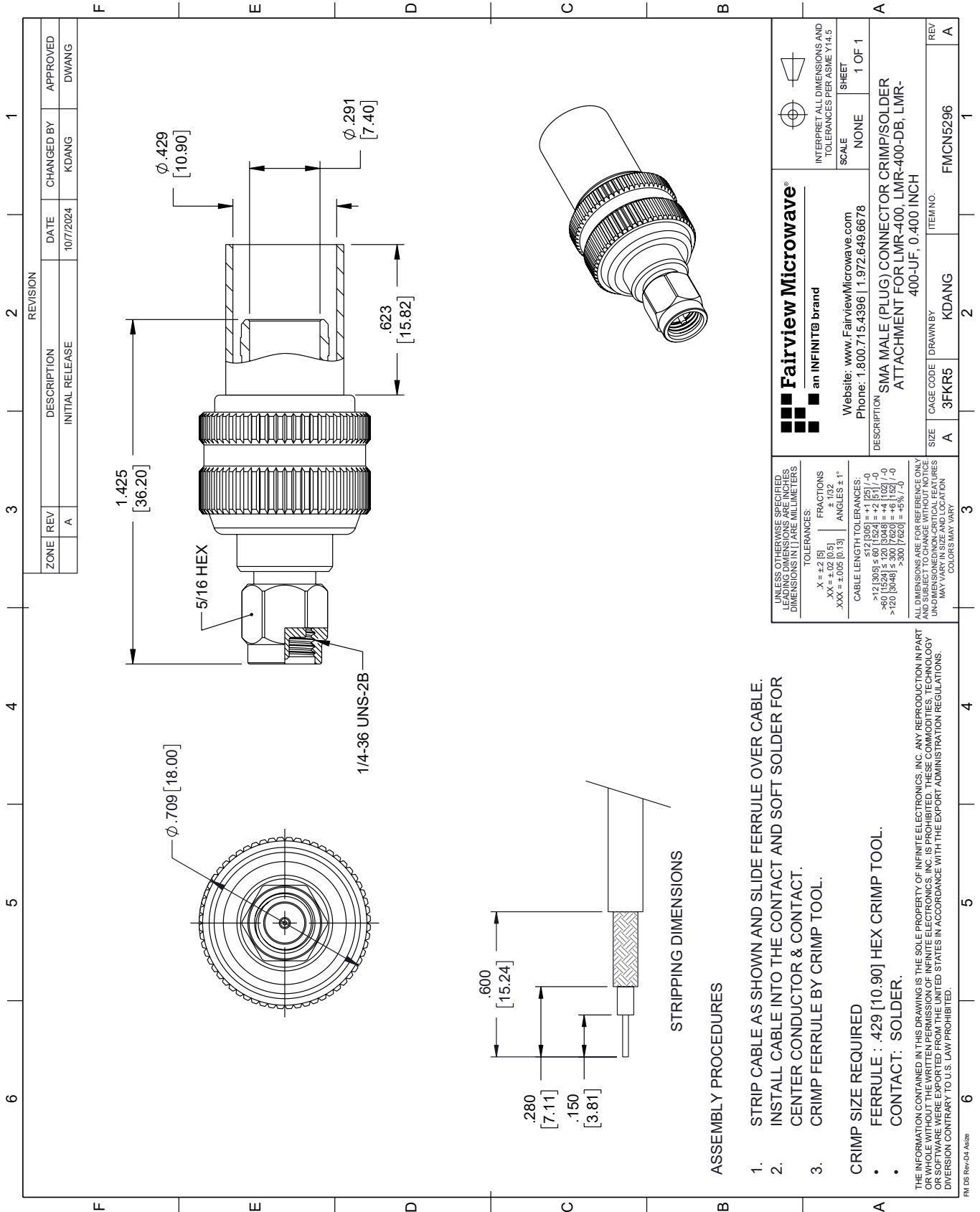
For additional information on this product, please click the following link: [SMA Male \(Plug\) Connector Crimp/Solder Attachment for LMR-400, LMR-400-DB, LMR-400-FR, LMR-400-LLPX, LMR-400-UF, LMR-400-UF-FR Cable FMCN5296](#)

URL: <https://www.fairviewmicrowave.com/sma-male-lmr-400-lmr-400-db-lmr-400-fr-lmr-400-llpx-lmr-400-uf-lmr-400-uf-fr-lmr-lw400-tcom-400-tcom-400-fr-connector-fmcn5296-p.aspx>

The information contained within this document is accurate to the best of our knowledge and representative of the part described herein. It may be necessary to make modifications to the part and/or the documentation of the part in order to implement improvements. Fairview Microwave reserves the right to make such changes as required. Unless otherwise stated, all specifications are nominal. Fairview Microwave does not make any representation or warranty regarding the suitability of the part described herein for any particular purpose, and Fairview Microwave does not assume liability arising out of the use of any part or document.

FMCN5296 CAD Drawing

SMA Male (Plug) Connector Crimp/Solder Attachment for LMR-400, LMR-400-DB, LMR-400-FR, LMR-400-LLPX, LMR-400-UF, LMR-400-UF-FR Cable



ZONE	REV	DESCRIPTION	DATE	CHANGED BY	APPROVED
	A	INITIAL RELEASE	10/7/2024	KDANG	DWANG

<p>Fairview Microwave® an INFINITB brand</p> <p>Website: www.FairviewMicrowave.com Phone: 1.800.715.4396 1.972.649.6678</p>		<p>INTERPRET ALL DIMENSIONS AND TOLERANCES PER ASME Y14.5</p> <p>SCALE: NONE SHEET: 1 OF 1</p>
<p>DESCRIPTION: SMA MALE (PLUG) CONNECTOR CRIMP/SOLDER ATTACHMENT FOR LMR-400, LMR-400-DB, LMR-400-UF, 0.400 INCH</p>		
SIZE: A	CAGE CODE: 3FKR5	ITEM NO.: FMCN5296
REV: A	DRAWN BY: KDANG	

<p>UNLESS OTHERWISE SPECIFIED, LEADING DIMENSIONS ARE IN INCHES. DIMENSIONS IN [] ARE MILLIMETERS.</p> <p>TOLERANCES: .X = ±.2 [5] .XX = ±.02 [0.5] .XXX = ±.005 [0.13]</p> <p>FRACTIONS ± 1/32</p> <p>ANGLES ± 1°</p> <p>CABLE LENGTH TOLERANCES: <12 [305] ≤ 60 [1524] = ±.1 [25] / -0 >60 [1524] ≤ 120 [3048] = ±.4 [102] / -0 >120 [3048] ≤ 300 [7620] = ±.6 [152] / -0</p> <p>ALL DIMENSIONS ARE FOR REFERENCE ONLY. UNDIMENSIONED/NON-CRITICAL FEATURES MAY VARY IN SIZE AND LOCATION. COLORS MAY VARY.</p>
