

75 Ohm Diplexer, 5 to 390 MHz Low Pass, 650 to 1,000 MHz High Pass Type F Female

Description

FMDP1001 is a RF diplexer with F-type connectors used to split RF signals with different frequencies. The operating frequency range for this diplexer is from 5 to 1000 MHz. The high pass band is from 650 to 1000 MHz and low pass band is from 5 to 390 MHz. This RF diplexer has great insertion loss of 1 dB and minimum return loss of 14 dB with 75ohm impedance. FMDP1001 is part of a broad RF product portfolio from Pasternack which can be shipped the same day with no MOQ.



Electrical Specifications

Description	Min	Typ	Max	Units
Impedance		75		Ohms
Common Port				
Frequency	5		1,000	MHz
Return Loss	14	18		dB
LPF Port				
Passband Frequency	5		390	MHz
Return Loss	14	18		dB
Insertion Loss		1	2	dB
Rejection Frequency	650		1,000	MHz
Rejection	50	55		dB
HPF Port				
Passband Frequency	650		1,000	MHz
Return Loss	14	18		dB
Insertion Loss		1	2	dB
Rejection Frequency	5		390	MHz
Rejection	50	55		dB

Electrical Specification Notes:
Values at 25°C, sea level.

Mechanical Specifications

Size	
Length	2.933 in [74.5 mm]
Width	1.299 in [32.99 mm]
Height	0.705 in [17.91 mm]
Weight	0.132 lbs [59.87 g]
Body Material	Zinc
Finish	Polished

Configuration

Design	Bidirectional
Number of Sections	
Package Style	Connectorized
Connector 1	F Female
Connector 2	F Female
Connector 3	F Female

Mechanical Specification Notes:

Features:

- Frequency range from 5 to 1000 MHz
- High pass band: 650 to 1000 MHz
- Low pass band: 5 to 390 MHz
- Max insertion loss 2 dB
- 75ohm impedance
- Max VSWR 1.5:1

Applications:

- Cable TV/Internet
- Signal Splitting
- Broadcast TV
- MSO

Fairview Microwave
301 Leora Ln., Suite 100
Lewisville, TX 75056
Tel: 1-800-715-4396 / (972) 649-6678
Fax: (972) 649-6689
www.fairviewmicrowave.com
sales@fairviewmicrowave.com

EN 50083-2 Class A Standard

Environmental Specifications

Compliance Certifications (see [product page](#) for current document)

Plotted and Other Data

Notes:

- Values at 25°C, sea level.

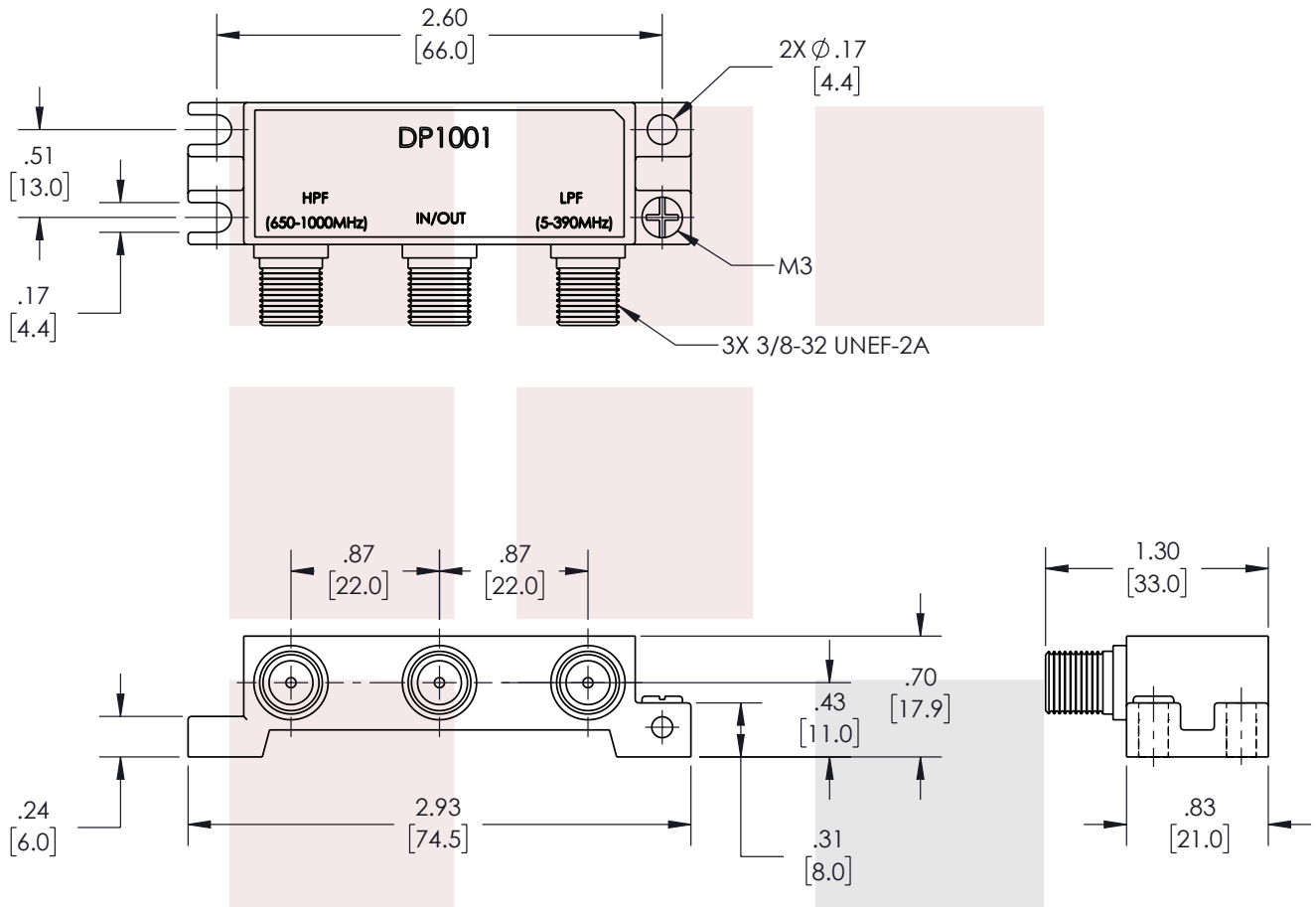
75 Ohm Diplexer, 5 to 390 MHz Low Pass, 650 to 1,000 MHz High Pass Type F Female from Fairview Microwave is in-stock and available to ship same-day. All of our RF/microwave products are available off-the-shelf from our ISO 9001:2008 certified facilities in Lewisville, Texas. Fairview Microwave is RF on-demand.

For additional information on this product, please click the following link: [75 Ohm Diplexer, 5 to 390 MHz Low Pass, 650 to 1,000 MHz High Pass Type F Female FMDP1001](#)

URL:

The information contained in this document is accurate to the best of our knowledge and representative of the part described herein. It may be necessary to make modifications to the part and/or the documentation of the part, in order to implement improvements. Fairview Microwave reserves the right to make such changes as required. Unless otherwise stated, all specifications are nominal. Fairview Microwave does not make any representation or warranty regarding the suitability of the part described herein for any particular purpose, and Fairview Microwave does not assume any liability arising out of the use of any part or documentation.

REVISIONS			
REV.	DESCRIPTION	DATE	APPROVED
A	INITIAL RELEASE	10/27/22	SPONG



THESE COMMODITIES, TECHNOLOGY OR SOFTWARE WERE EXPORTED FROM THE UNITED STATES IN ACCORDANCE WITH THE EXPORT ADMINISTRATION REGULATIONS. DIVERSION CONTRARY TO U.S. LAW PROHIBITED.

TITLE

75 Ohm Diplexer, 5 to 390 MHz Low Pass, 650 to 1,000 MHz High Pass Type F Female

UNLESS OTHERWISE SPECIFIED LEADING DIMENSIONS ARE INCHES
DIMENSIONS IN [] ARE MILLIMETERS

TOLERANCES: CABLE LENGTH (L) TOLERANCES:

.X = ±.2 [5.08]	FRACTIONS	L ≤ 12 [305] = +1 [25] / -0
.XX = ±.02 [.51]	± 1/32	12 [305] < L ≤ 60 [1524] = +2 [51] / -0
.XXX = ±.005 [.13]	ANGLES ± 1°	60 [1524] < L ≤ 120 [3048] = +4 [102] / -0
		120 [3048] < L ≤ 300 [7620] = +6 [152] / -0
		300 [7620] < L = +5%L / -0

THIRD-ANGLE PROJECTION



THE INFORMATION AND DESIGN IN THIS DOCUMENT IS THE PROPERTY OF FAIRVIEW MICROWAVE CORPORATION. ALL RIGHTS RESERVED.

SHEET 1 OF 1

SCALE N/A

ALL DIMENSIONS SHOWN ARE FOR REFERENCE ONLY.

SIZE A	CAGE CODE 3FKR5	DRAWN BY VTHANGARAJ	ITEM NO. FMDP1001	REV A
-----------	--------------------	------------------------	----------------------	----------

T-Rev.D