

**75 Ohm Diplexer, 5 to 68 MHz and 125 to 1000 MHz
TV Band, 87 to 108 MHz FM Band, Type F Female**
Description

FMDP1005 is a RF diplexer with F-type connectors used to split RF signals with different frequencies. The operating frequency range for this diplexer is from 5 to 1000 MHz. The TV band is from 5 to 68 MHz and 125 to 1000 MHz and FM band is from 87 to 108 MHz. This RF diplexer has great insertion loss of 2 dB and minimum return loss of 10 dB with 75ohm impedance. FMDP1005 is part of a broad RF product portfolio from Pasternack which can be shipped the same day with no MOQ.


Electrical Specifications

Description	Min	Typ	Max	Units
Impedance		75		Ohms
Common Port				
Frequency	5		1,000	MHz
DC Block			50	V
FM Port				
Passband Frequency	87		108	MHz
Return Loss	10	12		dB
Insertion Loss		2	3	dB
Rejection Frequency	5		68	MHz
Rejection	20	22		dB
Rejection Frequency 2 125			200	MHz
Rejection 2	18	22		dB
Rejection Frequency 3 201			1,000	MHz
Rejection 3	45	50		dB
DC Block			50	V
TV Port				
Passband Frequency	5		68	MHz
Return Loss	10	12		dB
Insertion Loss		0.5	1	dB
Rejection Frequency	87		108	MHz
Rejection	15	20		dB
Passband Frequency 2	125		1,000	MHz
Return Loss 2	10	12		dB
Insertion Loss 2		0.5	1	dB
DC Block			50	V

Electrical Specification Notes:
Values at 25°C, sea level.

Mechanical Specifications

Size	
Length	2.933 in [74.5 mm]
Width	1.299 in [32.99 mm]
Height	0.705 in [17.91 mm]
Weight	0.132 lbs [59.87 g]
Body Material	Zinc

Features:

- Frequency range from 5 to 1000 MHz
- TV band: 5 to 68 MHz & 125 to 1000 MHz
- FM band: 87 to 108 MHz
- Max insertion loss 3 dB
- 75ohm impedance
- Max VSWR 1.93:1

Applications:

- Cable TV/Internet
- Signal Splitting
- Broadcast TV
- MSO

Fairview Microwave
301 Leora Ln., Suite 100
Lewisville, TX 75056
Tel: 1-800-715-4396 / (972) 649-6678
Fax: (972) 649-6689
www.fairviewmicrowave.com
sales@fairviewmicrowave.com

Body Plating
Finish

Zinc
Polished

Configuration

Design
Number of Sections
Package Style
Connector 1
Connector 2
Connector 3

Bidirectional
Connectorized
F Female
F Female
F Female

Environmental Specifications

Compliance Certifications (see [product page](#) for current document)

Plotted and Other Data

Notes:

- Values at 25°C, sea level.

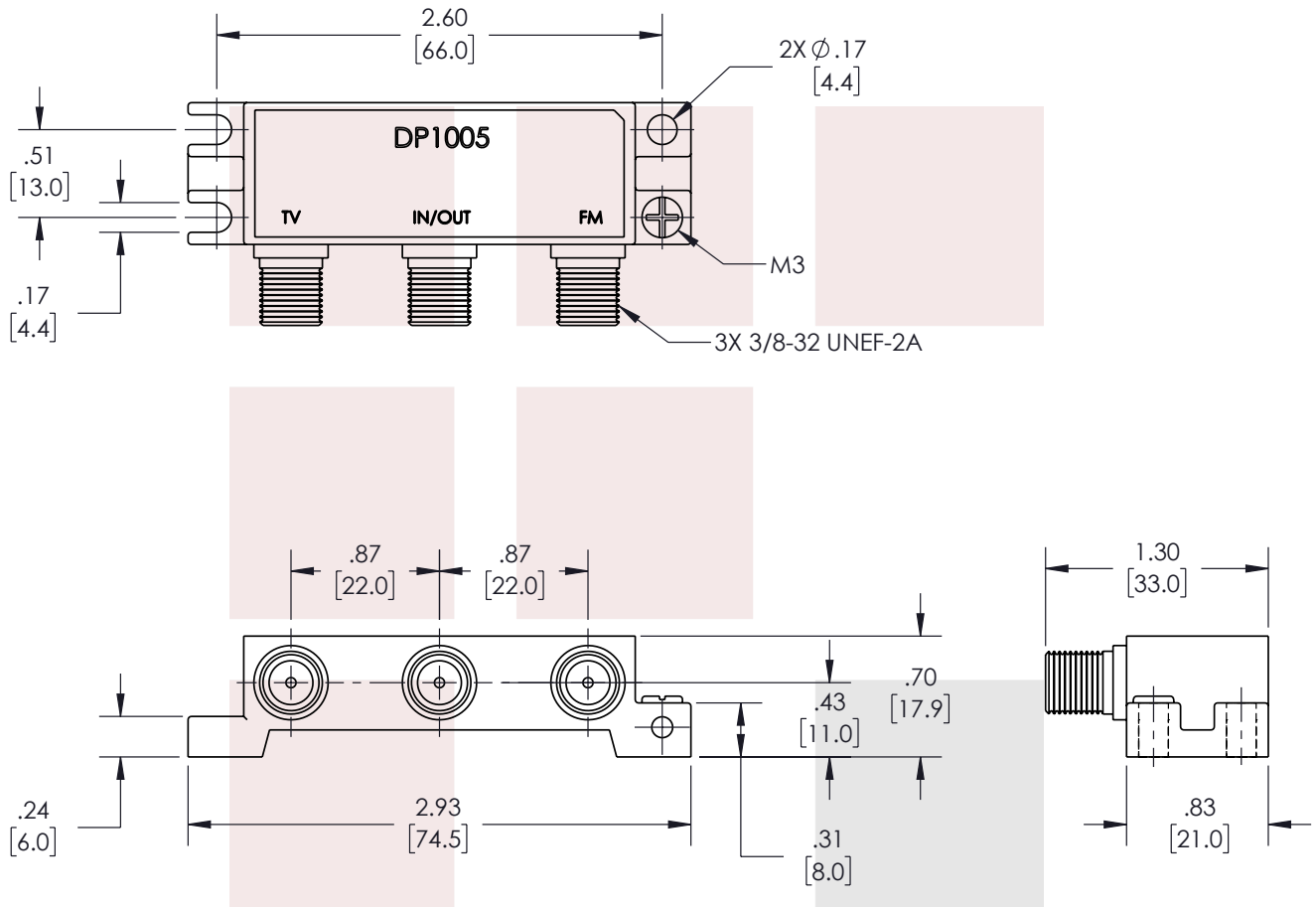
75 Ohm Diplexer, 5 to 68 MHz and 125 to 1000 MHz TV Band, 87 to 108 MHz FM Band, Type F Female from Fairview Microwave is in-stock and available to ship same-day. All of our RF/microwave products are available off-the-shelf from our ISO 9001:2008 certified facilities in Lewisville, Texas. Fairview Microwave is RF on-demand.

For additional information on this product, please click the following link: [75 Ohm Diplexer, 5 to 68 MHz and 125 to 1000 MHz TV Band, 87 to 108 MHz FM Band, Type F Female FMDP1005](#)

URL: <https://www.fairviewmicrowave.com/75-ohm-diplexer-f-female-87-108-mhz-5-68-mhz-fmdp1005-p.aspx>

The information contained in this document is accurate to the best of our knowledge and representative of the part described herein. It may be necessary to make modifications to the part and/or the documentation of the part, in order to implement improvements. Fairview Microwave reserves the right to make such changes as required. Unless otherwise stated, all specifications are nominal. Fairview Microwave does not make any representation or warranty regarding the suitability of the part described herein for any particular purpose, and Fairview Microwave does not assume any liability arising out of the use of any part or documentation.

REVISIONS			
REV.	DESCRIPTION	DATE	APPROVED
A	INITIAL RELEASE	10/27/22	SPONG



THESE COMMODITIES, TECHNOLOGY OR SOFTWARE WERE EXPORTED FROM THE UNITED STATES IN ACCORDANCE WITH THE EXPORT ADMINISTRATION REGULATIONS. DIVERSION CONTRARY TO U.S. LAW PROHIBITED.

TITLE

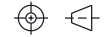
75 Ohm Diplexer, 5 to 68 MHz and 125 to 1000 MHz
TV Band, 87 to 108 MHz FM Band, Type F Female

UNLESS OTHERWISE SPECIFIED LEADING DIMENSIONS ARE INCHES
DIMENSIONS IN [] ARE MILLIMETERS

TOLERANCES: CABLE LENGTH (L) TOLERANCES:

.X = ±.2 [5.08]	FRACTIONS	L ≤ 12 [305] = +1 [25] / -0
.XX = ±.02 [.51]	± 1/32	12 [305] < L ≤ 60 [1524] = +2 [51] / -0
.XXX = ±.005 [.13]	ANGLES ± 1°	60 [1524] < L ≤ 120 [3048] = +4 [102] / -0
		120 [3048] < L ≤ 300 [7620] = +6 [152] / -0
		300 [7620] < L = +5%L / -0

THIRD-ANGLE PROJECTION



THE INFORMATION AND DESIGN IN THIS DOCUMENT IS THE PROPERTY OF FAIRVIEW MICROWAVE CORPORATION. ALL RIGHTS RESERVED.

SHEET 1 OF 1

ALL DIMENSIONS SHOWN ARE FOR REFERENCE ONLY.

SCALE N/A

SIZE A	CAGE CODE 3FKR5	DRAWN BY VTHANGARAJ	ITEM NO. FMDP1005	REV A
-----------	--------------------	------------------------	----------------------	----------

T-Rev.D