

2 Way Power Divider SMA Interface from 2 GHz to 4 GHz Rated at 30 Watts

Fairview Microwave carries a wide selection of power dividers to fit your needs. These components are essential in many systems, allowing the combination of multiple signals or splitting of a single signal into multiple signals with equal magnitude and phase. Fairview Microwave's resistive and Wilkinson power dividers come with excellent performance featuring minimal loss, high isolation and low VSWR. They are available in both narrow and broad bandwidths with a variety of connector types such as 2.92mm, BNC, N and SMA.

The FMDV2104 is a 2-way high power Wilkinson power divider that operates from 2 to 4 GHz and can handle up to 30 Watts (CW) with 0.35 dB max insertion loss and 20 dB min isolation. The package interface uses SMA female connectors and is REACH and RoHS compliant.

Electrical Specifications

Design Standard
Number of Output Ports 2

Description	Min	Typ	Max	Units
Frequency Range	2		4	GHz
Impedance		50		Ohms
Input VSWR		1.2:1	1.25:1	
Output VSWR		1.15:1	1.2:1	
Insertion Loss		0.25	0.35	dB
Isolation	20	23		dB
Amplitude Balance		0.1	0.2	dB
Phase Balance		1	2	Degrees
Input Power (CW)			30	Watts
Reverse Power (CW)			2	Watts
Input Power (Peak)			300	Watts

Mechanical Specifications

Size
 Length 1.1 in [27.94 mm]
 Width 1.1 in [27.94 mm]
 Height 0.39 in [9.91 mm]
 Weight 0.044 lbs [19.96 g]
 Finish Gray
 Housing Material and Plating Aluminum

Configuration
 Input Connector SMA Female

Environmental Specifications

Temperature
 Operating Range -40 to +85 deg C
 Storage Range -50 to +105 deg C



Features:

- 2-Way Power Divider
- High Power Wilkinson Design
- 2 to 4 GHz Frequency Range
- Max Power 30 Watts (CW)
- Insertion Loss < 0.35 dB
- Isolation > 20 dB

Applications:

- Test and Measurement
- Military Communications
- Commercial Communications
- Wireless Communications
- SATCOM

Fairview Microwave
 301 Leora Ln., Suite 100
 Lewisville, TX 75056
 Tel: 1-800-715-4396 / (972) 649-6678
 Fax: (972) 649-6689
www.fairviewmicrowave.com
sales@fairviewmicrowave.com

Humidity
Shock
Vibration
Altitude

100% RH at 35°C, 95%RH at 40°C
20G for 11msec half sine wave, 3 axis both directions
25gRMS (15 degrees 2KHz) endurance, 1 hour per axis
30,000ft. Epoxy Sealed, 60,000ft. 1psi min Hermetically Sealed

Compliance Certifications (see [product page](#) for current document)

Plotted and Other Data

Notes:

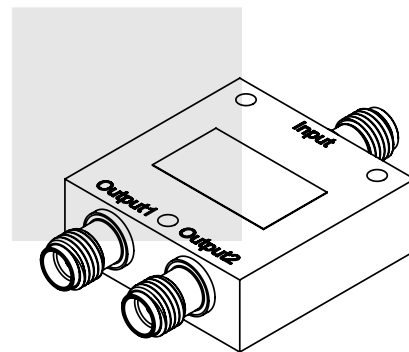
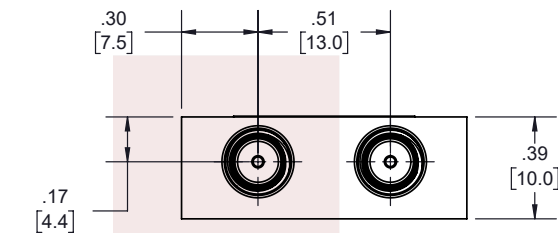
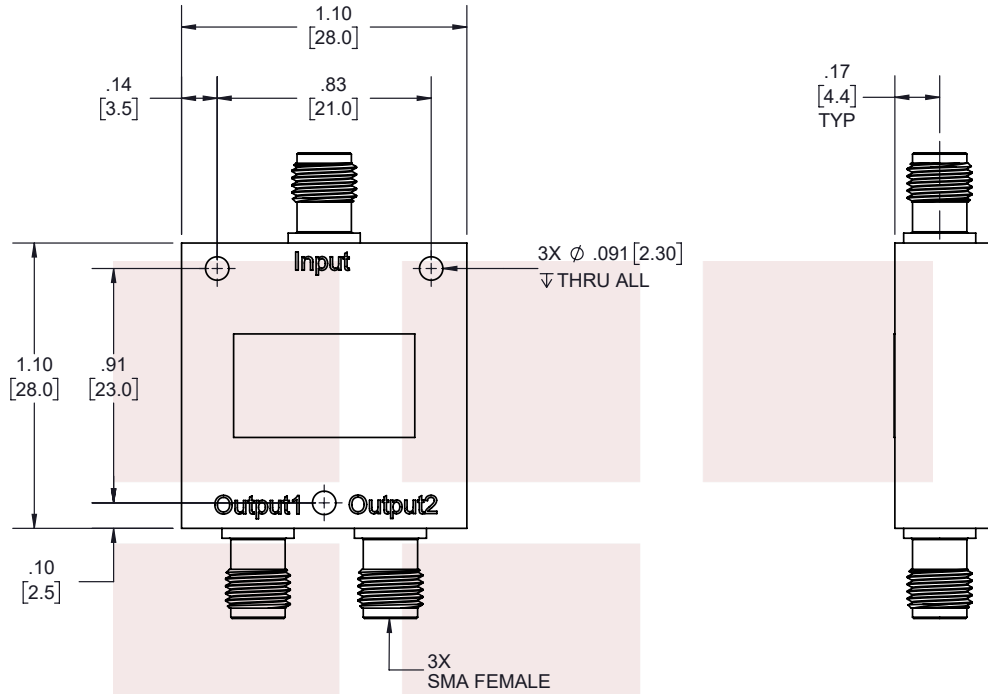
2 Way Power Divider SMA Interface from 2 GHz to 4 GHz Rated at 30 Watts from Fairview Microwave is in-stock and available to ship same-day. All of our RF/microwave products are available off-the-shelf from our ISO 9001:2008 certified facilities in Lewisville, Texas. Fairview Microwave is RF on-demand.

For additional information on this product, please click the following link: [2 Way Power Divider SMA Interface from 2 GHz to 4 GHz Rated at 30 Watts FMDV2104](#)

URL: <https://www.fairviewmicrowave.com/2-way-power-divider-n-4-ghz-fmdv2104-p.aspx>

The information contained in this document is accurate to the best of our knowledge and representative of the part described herein. It may be necessary to make modifications to the part and/or the documentation of the part, in order to implement improvements. Fairview Microwave reserves the right to make such changes as required. Unless otherwise stated, all specifications are nominal. Fairview Microwave does not make any representation or warranty regarding the suitability of the part described herein for any particular purpose, and Fairview Microwave does not assume any liability arising out of the use of any part or documentation.

REVISIONS			
REV.	DESCRIPTION	DATE	APPROVED
A	INITIAL RELEASE	9/14/2021	S. PONG



LABEL

DV2104
YYWW

THESE COMMODITIES, TECHNOLOGY OR SOFTWARE WERE EXPORTED FROM THE UNITED STATES IN ACCORDANCE WITH THE EXPORT ADMINISTRATION REGULATIONS. DIVERSION CONTRARY TO U.S. LAW PROHIBITED.

TITLE
2 Way Power Divider SMA Interface from 2 GHz to 4 GHz Rated at 30 Watts

UNLESS OTHERWISE SPECIFIED LEADING DIMENSIONS ARE INCHES
DIMENSIONS IN [] ARE MILLIMETERS

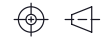
TOLERANCES:

.X = ±.2 [5.08] FRACTIONS
.XX = ±.02 [.51] ± 1/32
.XXX = ±.005 [.13] ANGLES ± 1°

CABLE LENGTH (L) TOLERANCES:

L ≤ 12 [305] = +1 [25] / -0
12 [305] < L ≤ 60 [1524] = +2 [51] / -0
60 [1524] < L ≤ 120 [3048] = +4 [102] / -0
120 [3048] < L ≤ 300 [7620] = +6 [152] / -0
300 [7620] < L = +5%L / -0

THIRD-ANGLE PROJECTION



THE INFORMATION AND DESIGN IN THIS DOCUMENT IS THE PROPERTY OF FAIRVIEW MICROWAVE CORPORATION. ALL RIGHTS RESERVED.

SHEET 1 OF 1

ALL DIMENSIONS SHOWN ARE FOR REFERENCE ONLY.

SCALE N/A

SIZE A	CAGE CODE 3FKR5	DRAWN BY K.DANG	ITEM NO. FMDV2104	REV A
-----------	--------------------	--------------------	----------------------	----------

T-Rev.D