

## 2.92mm Female Field Replaceable Active 2x Frequency Multiplier with 24 GHz to 33 GHz Output and +14 dBm Output Power

The FMFX2001 is a low noise X2 Active Broadband Frequency Multiplier Module that covers a wide output frequency bandwidth from 24 GHz to 33 GHz. The design utilizes advanced GaAs HBT MMIC semiconductor technology that produces low additive SSB phase noise performance with a typical level of -132 dBc/Hz at 100 kHz offset. Additional typical performance includes an output power level of +17 dBm with an input signal of +3 dBm. Input/output ports are matched for 50 ohms and are DC blocked. The design requires a single +5V DC supply. The compact drop-in package is RoHS compliant and hermetically sealed with field replaceable 2.92mm connectors. And for added confidence, this rugged package assembly is designed to meet MIL-STD-883 test conditions for Hermeticity and Temperature Cycle.

### Electrical Specifications (TA= 25°C, VDC1 = 5 Vdc)

Description	Min	Typ	Max	Units
Input Frequency Range	12		16.5	GHz
Output Frequency Range	24		33	GHz
Impedance		50		Ohms
Output Power	+14	+17		
Operating DC Voltage 1		5		V

### Performance by Frequency

Description	Min.	Typ.	Max.	Units
Frequency Range, Input		12 - 16.5		GHz
Frequency Range, Output		24 - 33		GHz
Output Power	+14	+17		dBm
Fo Isolation (With Respect To Output Level)		20		dBc
3Fo Isolation (With Respect To Output Level)		30		dBc
Input Return Loss		13		dB
Output Return Loss		20		dB
SSB Phase Noise (100 KHz Offset)		-132		dBc/Hz
Supply Current		81		mA

### Mechanical Specifications

#### Size

Length	1.086 in [27.58 mm]
Width	0.85 in [21.59 mm]
Height	0.28 in [7.11 mm]
Weight	1.25 lbs [566.99 g]
Input Connector	Field Replaceable 2.92mm Female
Output Connector	Field Replaceable 2.92mm Female

### Environmental Specifications

#### Temperature

Operating Range	-55 to +85 deg C
Storage Range	-65 to +150 deg C



### Features:

- X2 Frequency Multiplier
- Wide Frequency Band
- GaAs HBT MMIC Technology
- Low Phase Noise -132 dBc/Hz @ 100 kHz offset
- Output Power +17 dBm
- Single +5V Bias Voltage
- Integrated DC Blocking Capacitors
- Hermetically Sealed Module
- Mil Spec Compliant
- Field Replaceable 2.92mm Connectors
- -55°C to +85°C Operating Temperature

### Applications:

- Electronic Warfare
- Electronic Countermeasures
- Point-To-Point Radio
- Point-To-Multipoint Radio
- VSAT Radios
- Fiber Optic
- Space Systems
- Test Instrumentation
- Telecom Infrastructure

Fairview Microwave  
 301 Leora Ln., Suite 100  
 Lewisville, TX 75056  
 Tel: 1-800-715-4396 / (972) 649-6678  
 Fax: (972) 649-6689  
[www.fairviewmicrowave.com](http://www.fairviewmicrowave.com)  
[sales@fairviewmicrowave.com](mailto:sales@fairviewmicrowave.com)

ESD Sensitivity

ESD Sensitive Material, Transport material in Approved ESD bags. Handle only in ESD Workstation.

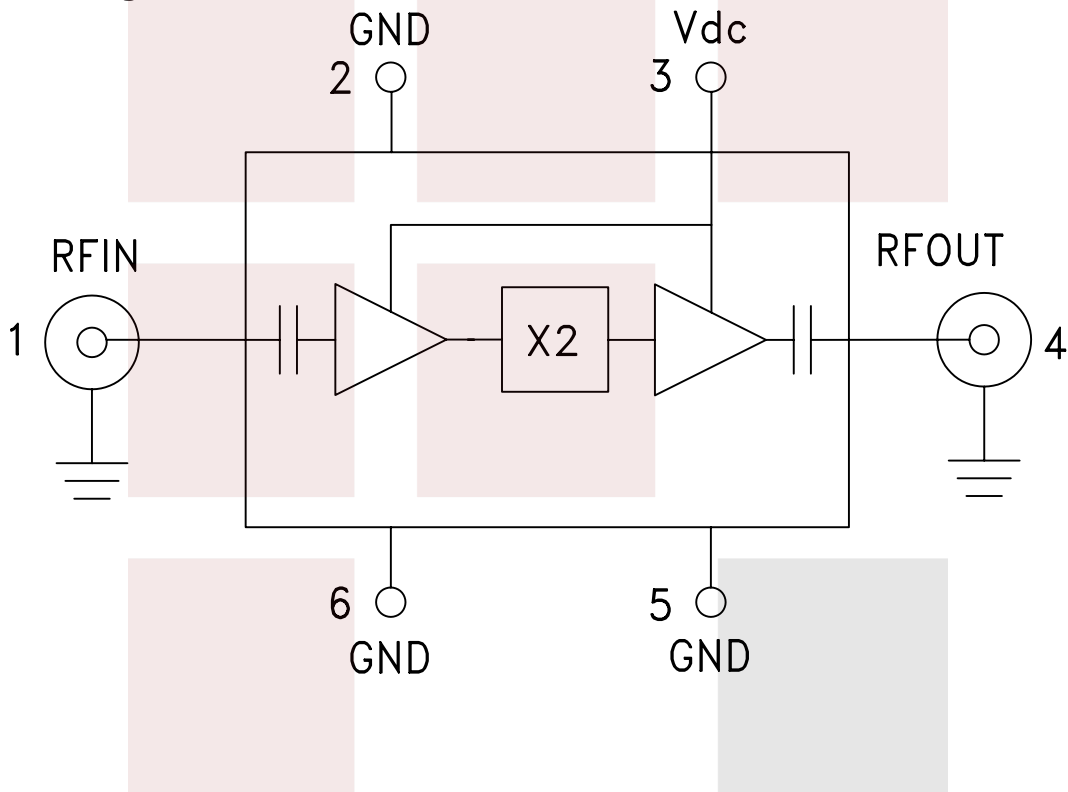


**Compliance Certifications** (see [product page](#) for current document)

**Plotted and Other Data**

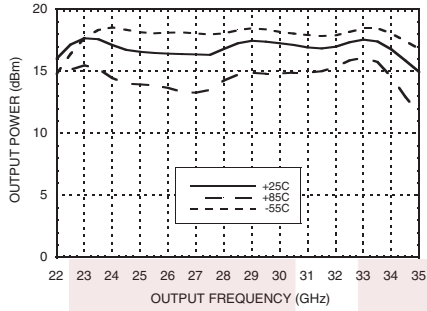
Notes:

**Functional Block Diagram**

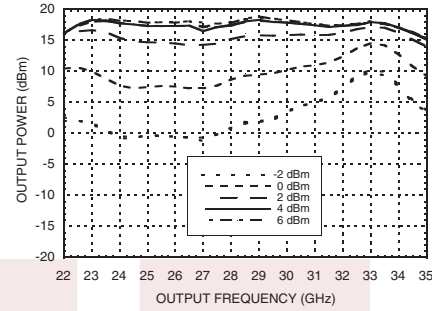


**Typical Performance Data**

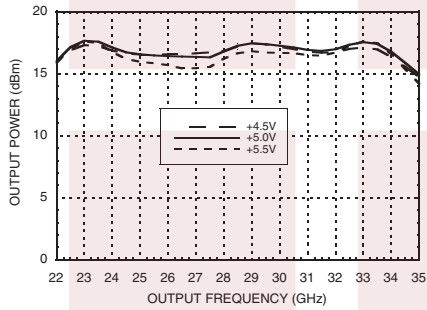
**Output Power vs. Temperature @ 3 dBm Drive Level**



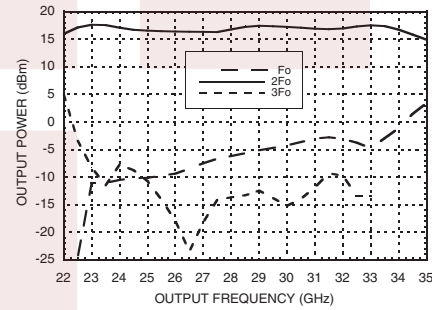
**Output Power vs. Drive Level**



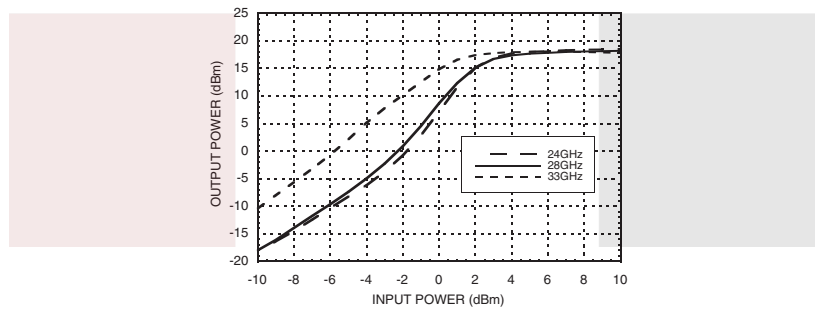
**Output Power vs. Supply Voltage @ 3 dBm Drive Level**



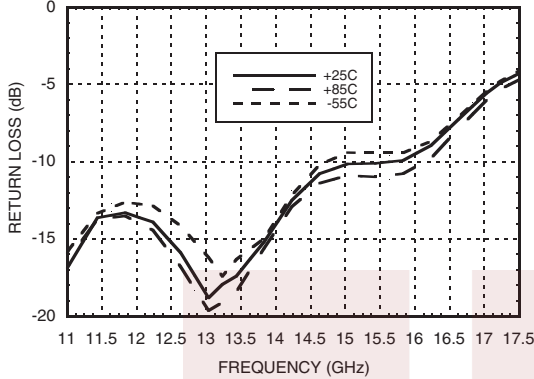
**Isolation @ 3 dBm Drive Level**



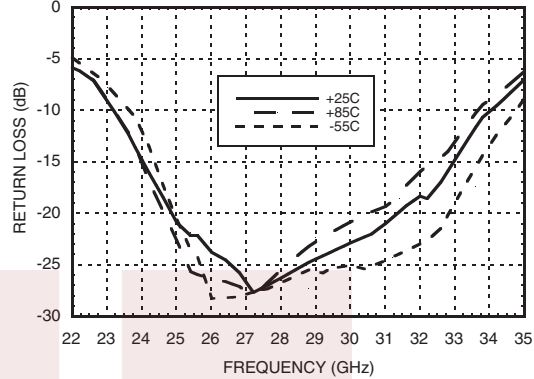
**Output Power vs. Input Power**



**Input Return Loss vs. Temperature @ 0 dBm Drive Level**



**Output Return Loss vs. Temperature @ 0 dBm Drive Level**

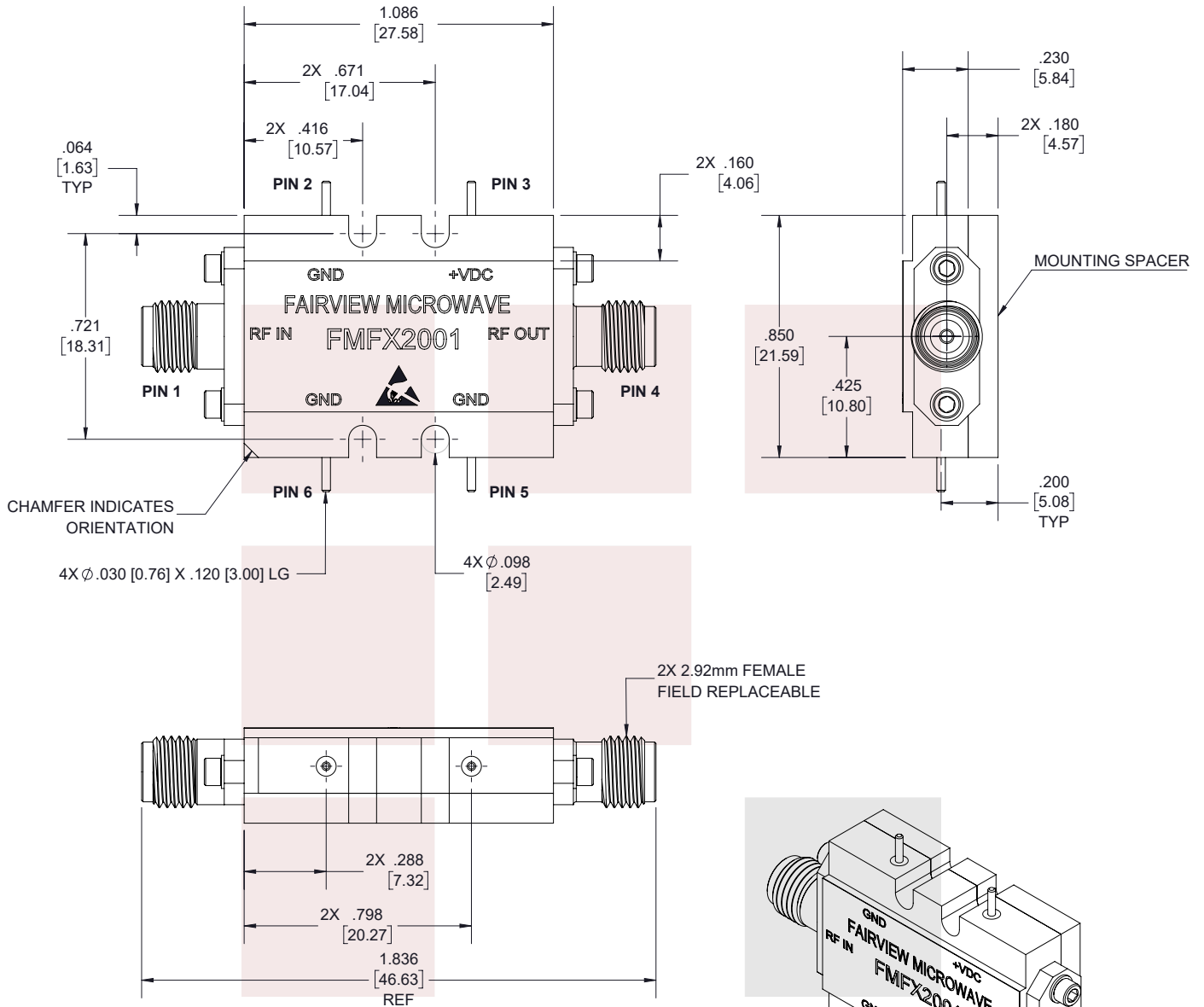


2.92mm Female Field Replaceable Active 2x Frequency Multiplier with 24 GHz to 33 GHz Output and +14 dBm Output Power from Fairview Microwave is in-stock and available to ship same-day. All of our RF/microwave products are available off-the-shelf from our ISO 9001:2008 certified facilities in Allen, Texas. Fairview Microwave is RF on-demand.

For additional information on this product, please click the following link: [2.92mm Female Field Replaceable Active 2x Frequency Multiplier with 24 GHz to 33 GHz Output and +14 dBm Output Power FMFX2001](https://www.fairviewmicrowave.com/2.92mm-field-replaceable-active-2x-frequency-multiplier-33-ghz-14-dbm-fm-fx2001-p.aspx)

URL: <https://www.fairviewmicrowave.com/2.92mm-field-replaceable-active-2x-frequency-multiplier-33-ghz-14-dbm-fm-fx2001-p.aspx>

The information contained in this document is accurate to the best of our knowledge and representative of the part described herein. It may be necessary to make modifications to the part and/or the documentation of the part, in order to implement improvements. Fairview Microwave reserves the right to make such changes as required. Unless otherwise stated, all specifications are nominal. Fairview Microwave does not make any representation or warranty regarding the suitability of the part described herein for any particular purpose, and Fairview Microwave does not assume any liability arising out of the use of any part or documentation.



STANDARD TOLERANCES	
.X	±0.2
.XX	±0.01
.XXX	±0.005

\*STANDARD TOLERANCES APPLY ONLY TO DIMENSIONS IN INCHES

Fairview Microwave RF COMPONENTS ON DEMAND. <i>Done!</i>		NOTES: 1. UNLESS OTHERWISE SPECIFIED ALL DIMENSIONS ARE NOMINAL. 2. ALL SPECIFICATIONS ARE SUBJECT TO CHANGE WITHOUT NOTICE AT ANY TIME. 3. DIMENSIONS ARE IN INCHES [mm].	
TITLE	2.92mm Female Field Replaceable Active 2x Frequency Multiplier with 24 GHz to 33 GHz Output and +14 dBm Output Power	DWG NO	FMFX2001
		CAGE CODE	3FKR5
CAD FILE	05/29/18	SHEET	1 OF 2
SCALE	N/A	SIZE	A
			7361