

**High Power Isolator N Female With 18 dB Isolation
 From 4 GHz to 8 GHz Rated to 50 Watts**

The FMIR1007 is a high power isolator offering a forward and reverse power rating of 50 watts over an operational frequency band of 4 to 8 GHz. This coaxial part uses type N female connectors on all ports and has a minimum of 18 dB of isolation.

Fairview Microwave offers a wide variety of isolators to fit your needs. These are two-port devices that transmit microwave or radio frequency power in one direction only and block the signal in the opposite direction. They can be thought of as a diode for RF energy. Isolators are used to isolate equipment from the effects of conditions outside of the equipment. For instance they are used to prevent a microwave source being detuned by a mismatched load. Fairview's isolators feature excellent insertion loss, high isolation and reliability, low VSWR, and a wide dynamic temperature range.

Electrical Specifications*

Description	Min	Typ	Max	Units
Impedance		50		Ohms
Frequency Range	4		8	GHz
Insertion Loss			0.6	dB
Forward Power			50	Watts
Reverse Power			50	Watts
Input VSWR			1.3:1	
Isolation	18			dB

* Values at 25°C, sea level

Mechanical Specifications

Size	
Length	1 in [25.4 mm]
Width	0.63 in [16 mm]
Height	1 in [25.4 mm]
Weight	0.1694 lbs [76.84 g]

Compliance Certifications (visit www.FairviewMicrowave.com for current document)

RoHS Compliant	Yes
REACH Compliant	12/17/2015

Plotted and Other Data

- Notes:
- Values at 25 °C, sea level



Features:

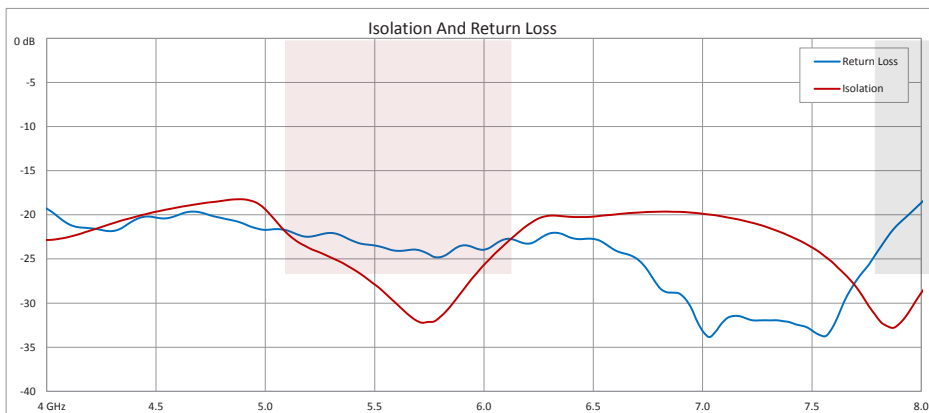
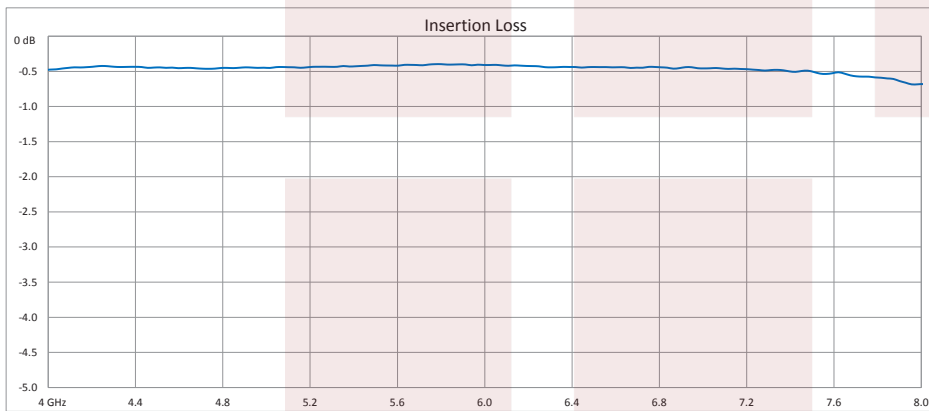
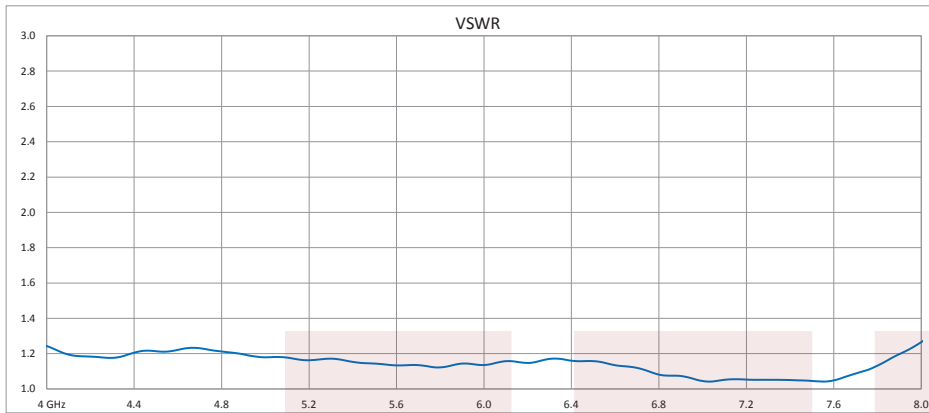
- Design: Single Junction
- Freq. Range: 4 GHz to 8 GHz
- Connectors: N Female
- Layout: Connectorized

Applications:

- Radar Systems
- Military
- Wireless Radio Systems
- Telecom Infrastructure
- Communication Systems
- R&D Labs
- Microwave Radio Systems

Fairview Microwave
 1130 Junction Dr. #100
 Allen, TX 75013
 Tel: 1-800-715-4396 / (972) 649-6678
 Fax: (972) 649-6689
www.fairviewmicrowave.com
sales@fairviewmicrowave.com

Typical Performance Data



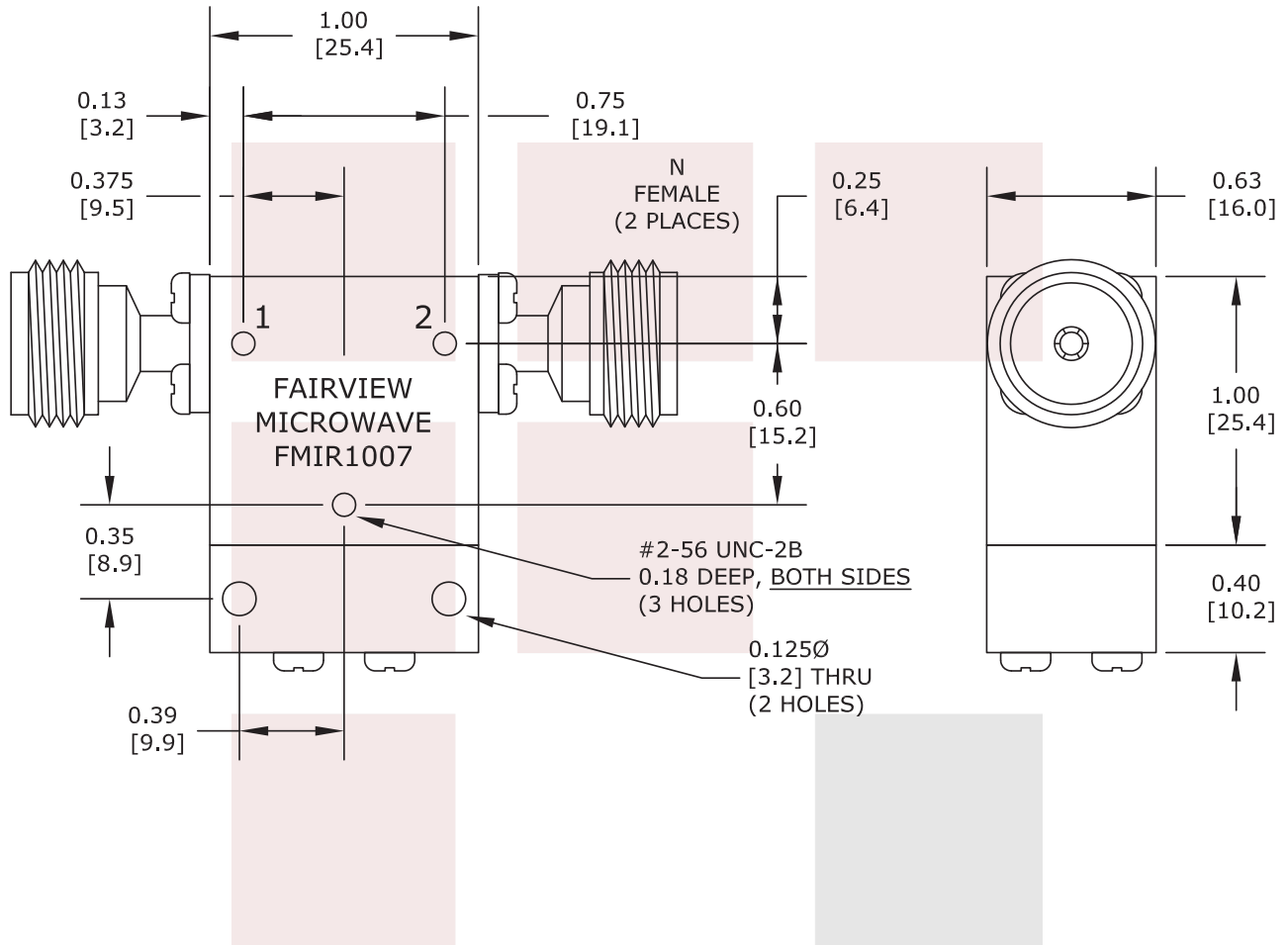
High Power Isolator N Female With 18 dB Isolation From 4 GHz to 8 GHz Rated to 50 Watts from Fairview Microwave is in-stock and available to ship same-day. All of our RF/microwave products are available off-the-shelf from our ISO 9001:2008 certified facilities in Allen, Texas. Fairview Microwave is RF on-demand.

For additional information on this product, please click the following link: [High Power Isolator N Female With 18 dB Isolation From 4 GHz to 8 GHz Rated to 50 Watts FMIR1007](#)

URL: <http://www.fairviewmicrowave.com/n-female-high-power-isolator-18db-isolation-8-ghz-50-watts-fmir1007-p.aspx>

The information contained in this document is accurate to the best of our knowledge and representative of the part described herein. It may be necessary to make modifications to the part and/or the documentation of the part, in order to implement improvements. Fairview Microwave reserves the right to make such changes as required. Unless otherwise stated, all specifications are nominal. Fairview Microwave does not make any representation or warranty regarding the suitability of the part described herein for any particular purpose, and Fairview Microwave does not assume any liability arising out of the use of any part or documentation.





FAIRVIEW MICROWAVE INC. ALLEN, TX 75013 WWW.FAIRVIEWMICROWAVE.COM		NOTES: 1. UNLESS OTHERWISE SPECIFIED ALL DIMENSIONS ARE NOMINAL. 2. ALL SPECIFICATIONS ARE SUBJECT TO CHANGE WITHOUT NOTICE AT ANY TIME. 3. DIMENSIONS ARE IN INCHES [mm].			
TITLE High Power Isolator N Female With 18 dB Isolation From 4 GHz to 8 GHz Rated to 50 Watts		DWG NO FMIR1007		CAGE CODE 3FKR5	
CAD FILE	041316	SHEET	SCALE	N/A	SIZE A 2233