

**High Power Isolator N Female With 20 dB Isolation
 From 7 GHz to 12.4 GHz Rated to 50 Watts**

The FMIR1009 is a high power isolator offering a forward and reverse power rating of 50 watts over an operational frequency band of 7 to 12.4 GHz. This coaxial part uses type N female connectors on all ports and has a minimum of 20 dB of isolation.

Fairview Microwave offers a wide variety of isolators to fit your needs. These are two-port devices that transmit microwave or radio frequency power in one direction only and block the signal in the opposite direction. They can be thought of as a diode for RF energy. Isolators are used to isolate equipment from the effects of conditions outside of the equipment. For instance they are used to prevent a microwave source being detuned by a mismatched load. Fairview's isolators feature excellent insertion loss, high isolation and reliability, low VSWR, and a wide dynamic temperature range.



Features:

- Forward Power 50 watts
- Frequency Range of 7 to 12.4 GHz
- Female N Connectors
- VSWR 1.25:1
- Isolation 20 dB

Applications:

- Radar Systems
- Military
- Wireless Radio Systems
- Telecom Infrastructure
- Communication Systems
- R&D Labs
- Microwave Radio Systems

Electrical Specifications

Description	Min	Typ	Max	Units
Frequency Range	7		12.4	GHz
Impedance		50		Ohms
Insertion Loss			0.6	dB
Isolation	20			dB
VSWR			1.25:1	
Forward Power, CW			50	Watts
Reverse Power, CW			50	Watts

Mechanical Specifications

Size	
Length	1 in [25.4 mm]
Width	0.63 in [16 mm]
Height	1 in [25.4 mm]
Weight	0.158 lbs [71.67 g]

Configuration	
Design	Single Junction
Package Style	Connectorized
Connector 1	N Female
Connector 2	N Female

Environmental Specifications

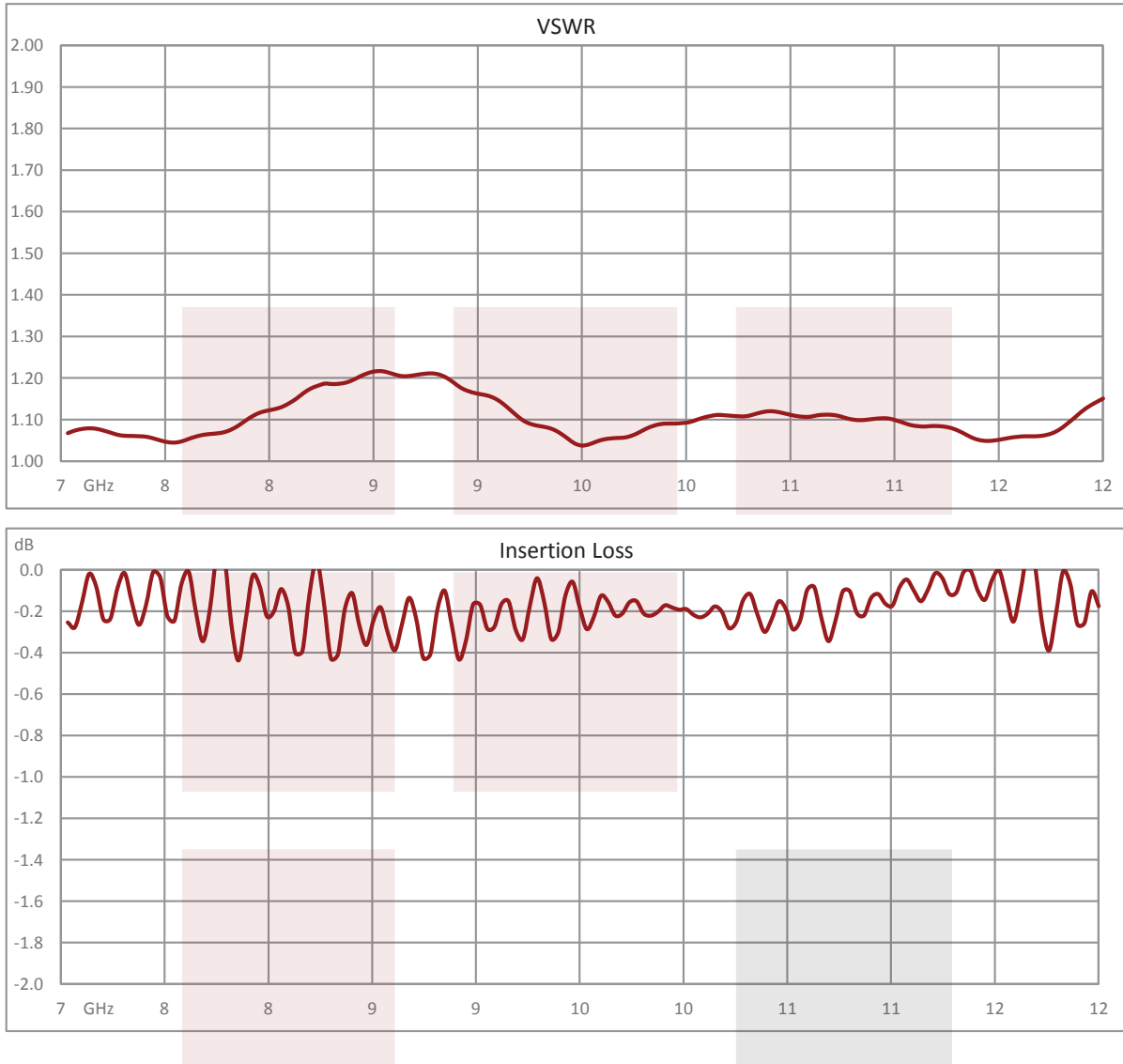
Compliance Certifications (see [product page](#) for current document)

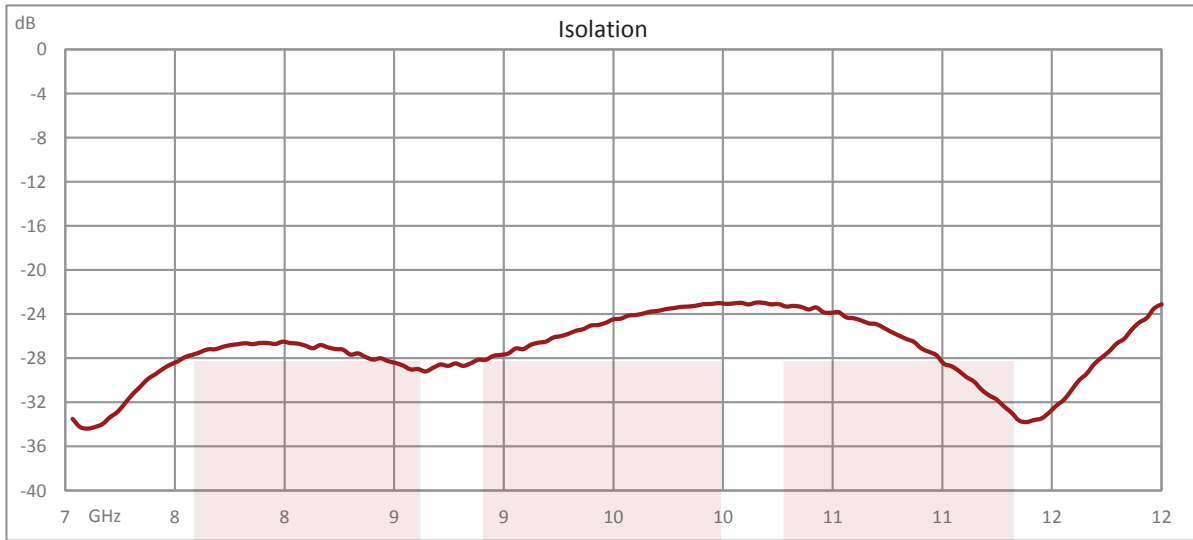
Plotted and Other Data

Notes:

Fairview Microwave
 301 Leora Ln., Suite 100
 Lewisville, TX 75056
 Tel: 1-800-715-4396 / (972) 649-6678
 Fax: (972) 649-6689
www.fairviewmicrowave.com
sales@fairviewmicrowave.com

Typical Performance Data



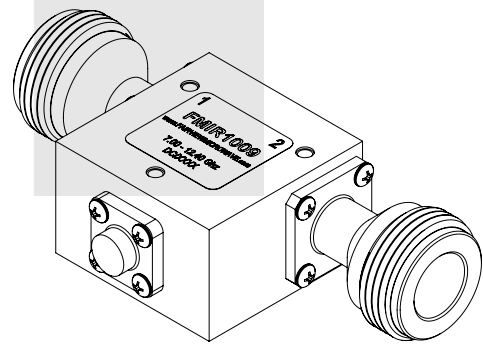
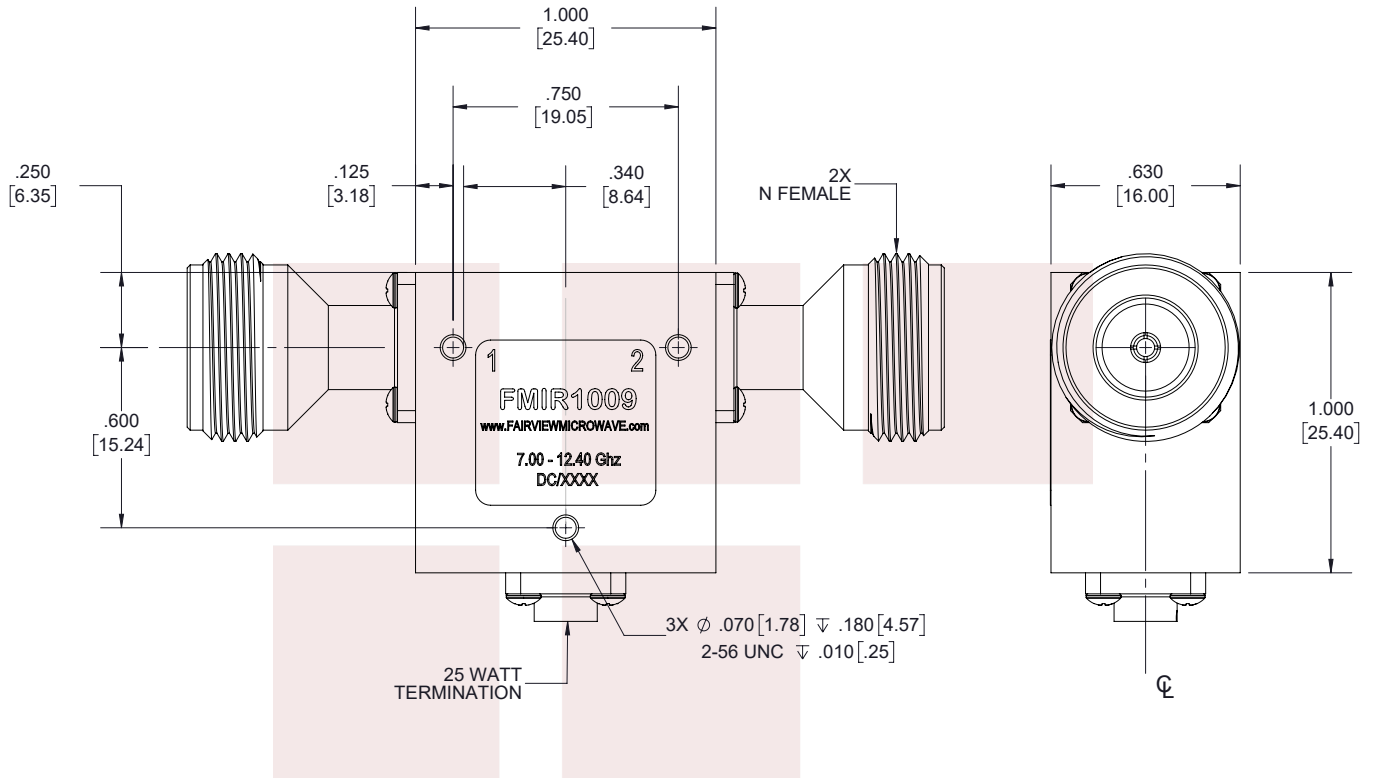


High Power Isolator N Female With 20 dB Isolation From 7 GHz to 12.4 GHz Rated to 50 Watts from Fairview Microwave is in-stock and available to ship same-day. All of our RF/microwave products are available off-the-shelf from our ISO 9001:2008 certified facilities in Allen, Texas. Fairview Microwave is RF on-demand.

For additional information on this product, please click the following link: [High Power Isolator N Female With 20 dB Isolation From 7 GHz to 12.4 GHz Rated to 50 Watts FMIR1009](#)

URL: <https://www.fairviewmicrowave.com/n-female-high-power-isolator-20db-isolation-12.4-ghz-50-watts-fmir1009-p.aspx>

The information contained in this document is accurate to the best of our knowledge and representative of the part described herein. It may be necessary to make modifications to the part and/or the documentation of the part, in order to implement improvements. Fairview Microwave reserves the right to make such changes as required. Unless otherwise stated, all specifications are nominal. Fairview Microwave does not make any representation or warranty regarding the suitability of the part described herein for any particular purpose, and Fairview Microwave does not assume any liability arising out of the use of any part or documentation.



STANDARD TOLERANCES	
.X	±0.2
.XX	±0.01
.XXX	±0.005

*STANDARD TOLERANCES APPLY ONLY TO DIMENSIONS IN INCHES

FAIRVIEW MICROWAVE INC. ALLEN, TX 75013 WWW.FAIRVIEWMICROWAVE.COM		NOTES: 1. UNLESS OTHERWISE SPECIFIED ALL DIMENSIONS ARE NOMINAL. 2. ALL SPECIFICATIONS ARE SUBJECT TO CHANGE WITHOUT NOTICE AT ANY TIME. 3. DIMENSIONS ARE IN INCHES [mm].				
TITLE High Power Isolator N Female With 20 dB Isolation From 7 GHz to 12.4 GHz Rated to 50 Watts		DWG NO FMIR1009		CAGE CODE 3FKR5		
CAD FILE	091117	SHEET	1 OF 1	SCALE	N/A	SIZE A 7361