

Isolator 2.92mm Female, Hermetically Sealed with 14 dB Isolation from 18 GHz to 26.5 GHz Rated to 10 Watts

The FMIR1041 is an RF isolator offering a forward power rating of 10 watts over an operational frequency band of 18 to 26.5 GHz. This coaxial part uses 2.92mm female connectors on all ports and has a minimum of 14 dB of isolation.

Fairview Microwave offers a wide variety of isolators to fit your needs. These are two-port devices that transmit microwave or radio frequency power in one direction only and block the signal in the opposite direction. They can be thought of as a diode for RF energy. Isolators are used to isolate equipment from the effects of conditions outside of the equipment. For instance they are used to prevent a microwave source being detuned by a mismatched load. Fairview's isolators feature excellent insertion loss, high isolation and reliability.

Electrical Specifications

Description	Min	Typ	Max	Units
Frequency Range	18		26.5	GHz
Impedance		50		Ohms
Insertion Loss			1.7	dB
Isolation	14			dB
VSWR			1.7:1	
Forward Power, CW			10	Watts

Mechanical Specifications

Size	
Length	1.06 in [26.92 mm]
Width	0.67 in [17.02 mm]
Height	0.43 in [10.92 mm]
Weight	0.044 lbs [19.96 g]
Body Material and Plating	Aluminum

Configuration

Direction	Clockwise
Connector 1	2.92mm Female
Connector 2	2.92mm Female

Environmental Specifications

Temperature

Operating Range	-40 to +80 deg C
Storage Range	-40 to +80 deg C

Humidity	100% RH at 35°C, 95%RH at 40°C
Shock	20G for 11msec half sine wave, 3 axis both directions
Vibration	25gRMS (15 degrees 2KHz) endurance, 1 hour per axis
Altitude	60,000 ft. 1.0psi min (Hermetically Sealed Un-controlled environment)
Hermetic Seal	IP68

Compliance Certifications (see [product page](#) for current document)

Plotted and Other Data

Notes:



Features:

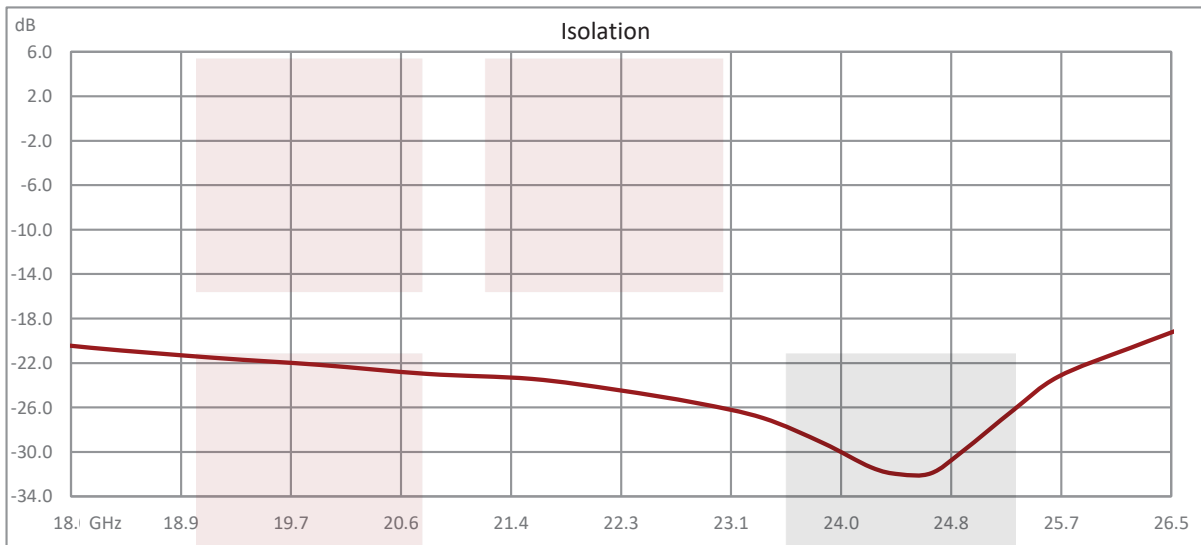
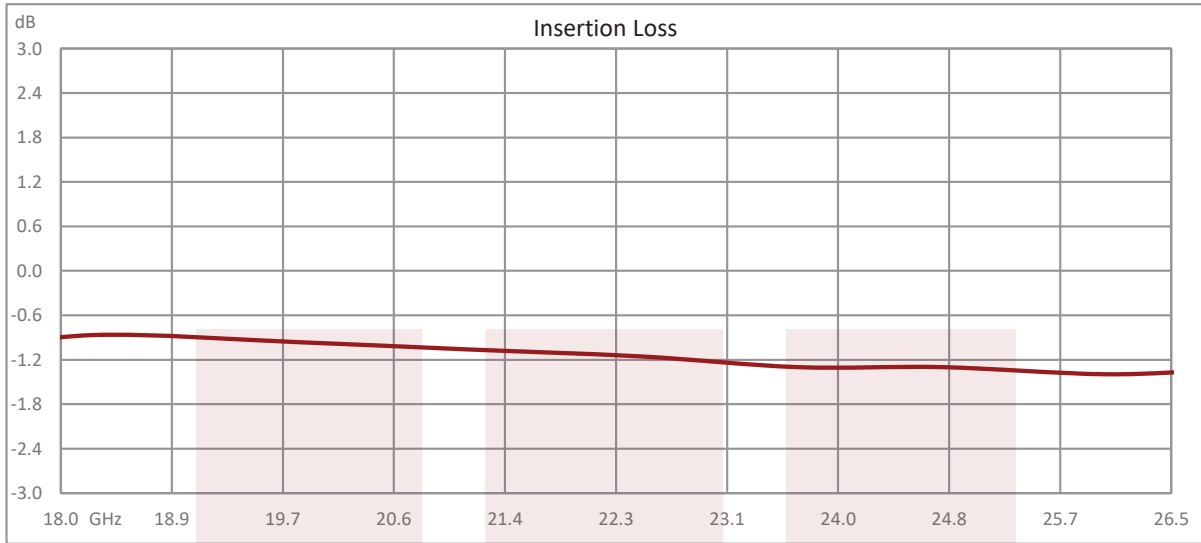
- Forward Power 10 watts
- Wide-Band Operating of 18 to 26.5 GHz
- Female 2.92mm Connectors
- Low VSWR of 1.70:1 Max
- Low Insertion Loss of 1.7 dB Max
- Good Isolation Performance of 14 dB Minimum
- Hermetically Sealed

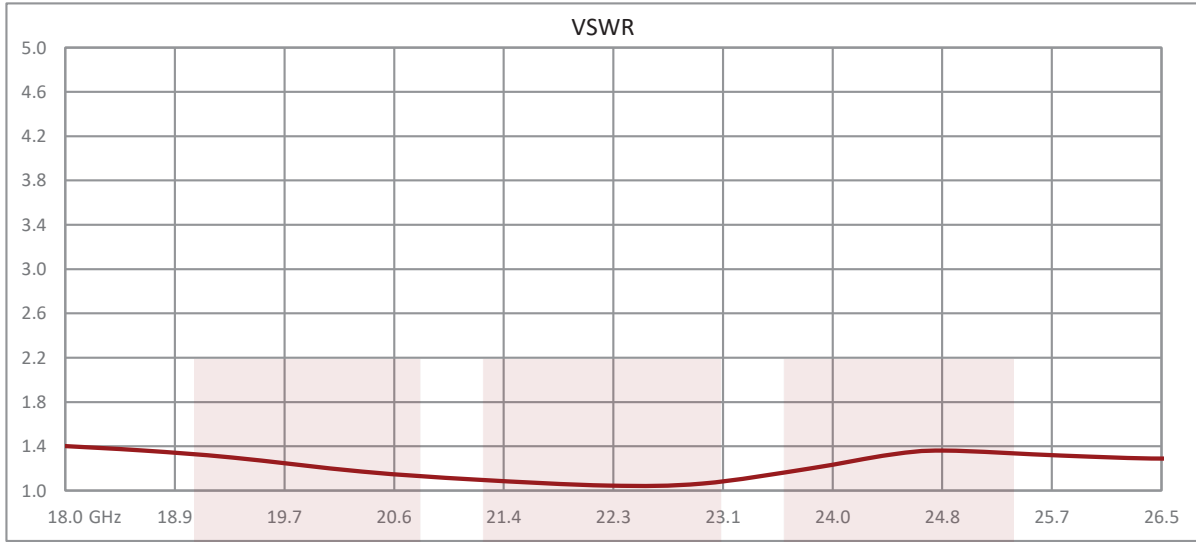
Applications:

- Radar Systems
- Military
- Wireless Radio Systems
- Telecom Infrastructure
- Communication Systems
- R&D Labs
- Microwave Radio Systems

Fairview Microwave
 301 Leora Ln., Suite 100
 Lewisville, TX 75056
 Tel: 1-800-715-4396 / (972) 649-6678
 Fax: (972) 649-6689
www.fairviewmicrowave.com
sales@fairviewmicrowave.com

Typical Performance Data



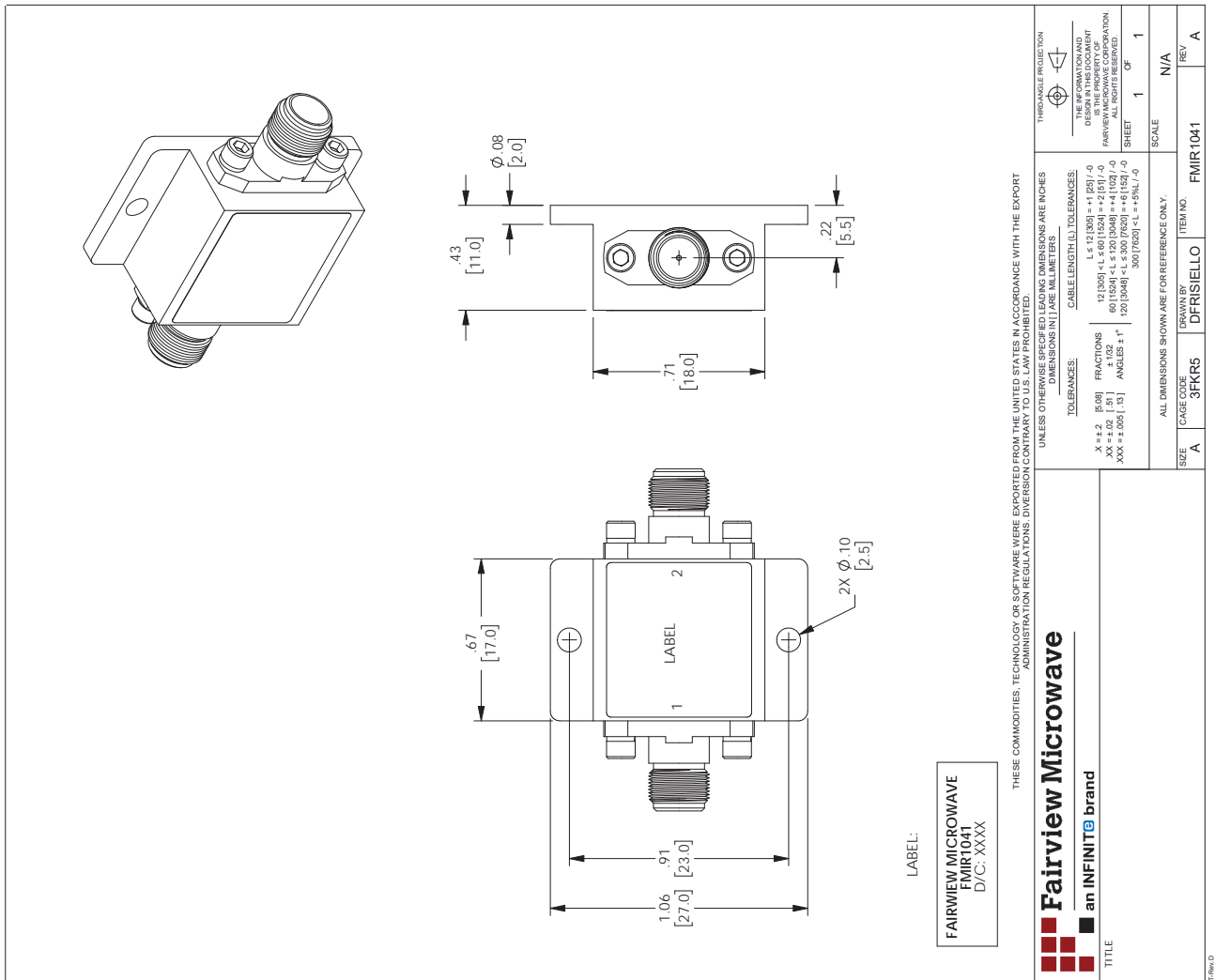


Isolator 2.92mm Female, Hermetically Sealed with 14 dB Isolation from 18 GHz to 26.5 GHz Rated to 10 Watts from Fairview Microwave is in-stock and available to ship same-day. All of our RF/microwave products are available off-the-shelf from our ISO 9001:2008 certified facilities in Lewisville, Texas. Fairview Microwave is RF on-demand.

For additional information on this product, please click the following link: [Isolator 2.92mm Female, Hermetically Sealed with 14 dB Isolation from 18 GHz to 26.5 GHz Rated to 10 Watts FMIR1041](https://www.fairviewmicrowave.com/isolator-2.92mm-female-14db-isolation-26.5-ghz-10-watts-fmir1041-p.aspx)

URL: <https://www.fairviewmicrowave.com/isolator-2.92mm-female-14db-isolation-26.5-ghz-10-watts-fmir1041-p.aspx>

The information contained in this document is accurate to the best of our knowledge and representative of the part described herein. It may be necessary to make modifications to the part and/or the documentation of the part, in order to implement improvements. Fairview Microwave reserves the right to make such changes as required. Unless otherwise stated, all specifications are nominal. Fairview Microwave does not make any representation or warranty regarding the suitability of the part described herein for any particular purpose, and Fairview Microwave does not assume any liability arising out of the use of any part or documentation.



Isolator 2.92mm Female, Hermetically Sealed with
14 dB Isolation from 18 GHz to 26.5 GHz Rated to 10
Watts