

**SMA Limiter PIN-Schottky With 13 dBm Flat Leakage
 Operating From 6 GHz to 18 GHz**

Electrical Specifications



Internal DC Block

Description	Min	Typ	Max	Unit
Frequency Range	6		18	GHz
Insertion Loss			2.5	dB
Input VSWR		2.2:1		
Output VSWR		2.2:1		
Leakage (CW)			+13	dBm
Recovery Time		200		us
Input Power (CW)			1	Watt
Input Power (Peak) @1us pulse, 0.1% Duty Cycle Derated to 20% @ +125°C			100	Watt
Limiting Threshold		+4		dBm

Electrical Specification Notes:
 Values at 25°C, sea level. Specification @ +25°C and -10 dBm input power.

Mechanical Specifications

Size	
Length	1.27 in [32.26 mm]
Width	0.31 in [7.87 mm]
Height	0.31 in [7.87 mm]
Weight	1.25 lbs [566.99 g]
Body Material and Plating	Passivated Stainless Steel

Configuration	
Style	PIN-Schottky Limiter
Package Style	Connectorized Module
Impedance	50 Ohms
Connector 1	SMA Male
Connector 2	SMA Female

Environmental Specifications

Temperature	
Operating Range	-55 to +90 deg C
Storage Range	-65 to +125 deg C
Shock	50 G's, 11 msec
Vibration	20G, 100 to 2000Hz

Compliance Certifications (see [product page](#) for current document)

Plotted and Other Data

- Notes:
- Values at 25°C, sea level.

Fairview Microwave
 301 Leora Ln., Suite 100
 Lewisville, TX 75056
 Tel: 1-800-715-4396 / (972) 649-6678
 Fax: (972) 649-6689
www.fairviewmicrowave.com
sales@fairviewmicrowave.com

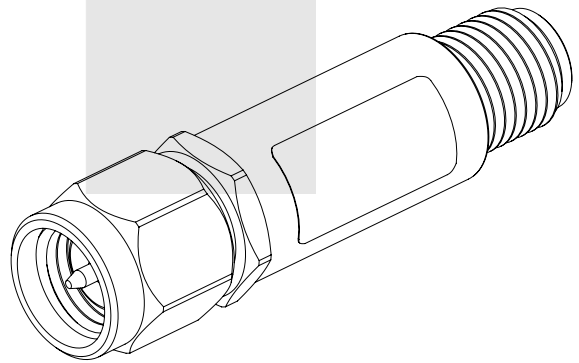
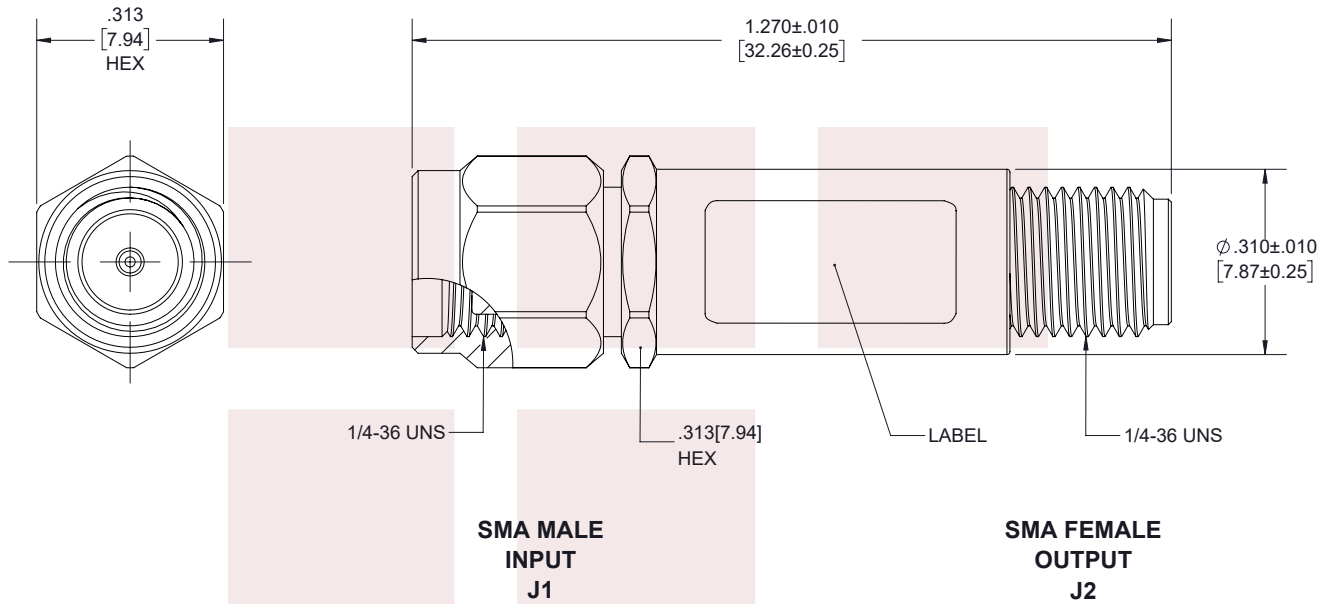
SMA Limiter PIN-Schottky With 13 dBm Flat Leakage Operating From 6 GHz to 18 GHz from Fairview Microwave is in-stock and available to ship same-day. All of our RF/microwave products are available off-the-shelf from our ISO 9001:2008 certified facilities in Allen, Texas. Fairview Microwave is RF on-demand.

For additional information on this product, please click the following link: [SMA Limiter PIN-Schottky With 13 dBm Flat Leakage Operating From 6 GHz to 18 GHz FMMT10035](#)

URL: <https://www.fairviewmicrowave.com/sma-limiter-pin-schottky-18-ghz-fmmt10035-p.aspx>

The information contained in this document is accurate to the best of our knowledge and representative of the part described herein. It may be necessary to make modifications to the part and/or the documentation of the part, in order to implement improvements. Fairview Microwave reserves the right to make such changes as required. Unless otherwise stated, all specifications are nominal. Fairview Microwave does not make any representation or warranty regarding the suitability of the part described herein for any particular purpose, and Fairview Microwave does not assume any liability arising out of the use of any part or documentation.





LABEL

J1	 www.FAIRVIEWMICROWAVE.com FMMT10035	J2
----	---	----

STANDARD TOLERANCES	
.X	±0.2
.XX	±0.01
.XXX	±0.005

*STANDARD TOLERANCES APPLY ONLY TO DIMENSIONS IN INCHES

 RF COMPONENTS ON DEMAND. <i>Done!</i>		NOTES: 1. UNLESS OTHERWISE SPECIFIED ALL DIMENSIONS ARE NOMINAL. 2. ALL SPECIFICATIONS ARE SUBJECT TO CHANGE WITHOUT NOTICE AT ANY TIME. 3. DIMENSIONS ARE IN INCHES [mm].				
		DWG NO FMMT10035			CAGE CODE 3FKR5	
TITLE SMA Limiter PIN-Schottky With 13 dBm Flat Leakage Operating From 6 GHz to 18 GHz		CAD FILE 05/21/18	SHEET 1 OF 1	SCALE N/A	SIZE A	7361