

**High Power Limiter, SMA, 100W Peak Power, 20 ns Recovery, 18.5 dBm Flat Leakage, 2 GHz to 4 GHz**
**Electrical Specifications**

Internal DC Return

Description	Min	Typ	Max	Unit
Frequency Range	2		4	GHz
Insertion Loss		0.8		dB
Input VSWR		1.5:1		
Output VSWR		1.5:1		
Leakage (CW)			+18.5	dBm
Leakage (Peak)			+23	dBm
Recovery Time*		20		ns
Input Power (CW)			1	Watt
Input Power (Peak)			100	Watt
@1us pulse, 0.1% Duty Cycle Derated to 20% @ +125°C				
Limiting Threshold		+12		dBm

Electrical Specification Notes:

Values at 25°C, sea level. Specification @ +25°C and -10 dBm input power.

**Mechanical Specifications**
**Size**

Length	1.21 in [30.73 mm]
Width	0.31 in [7.87 mm]
Height	0.31 in [7.87 mm]
Weight	0.03 lbs [13.61 g]
Body Material and Plating	Passivated Stainless Steel

**Configuration**

Style	PIN-PIN High Power Limiter
Package Style	Connectorized Module
Impedance	50 Ohms
Connector 1	SMA Male
Connector 2	SMA Female

**Environmental Specifications**
**Temperature**

Operating Range	-55 to +90 deg C
Storage Range	-65 to +125 deg C

Shock	50 G's, 11 msec
Vibration	20G, 100 to 2000Hz

**Compliance Certifications** (see [product page](#) for current document)

**Plotted and Other Data**

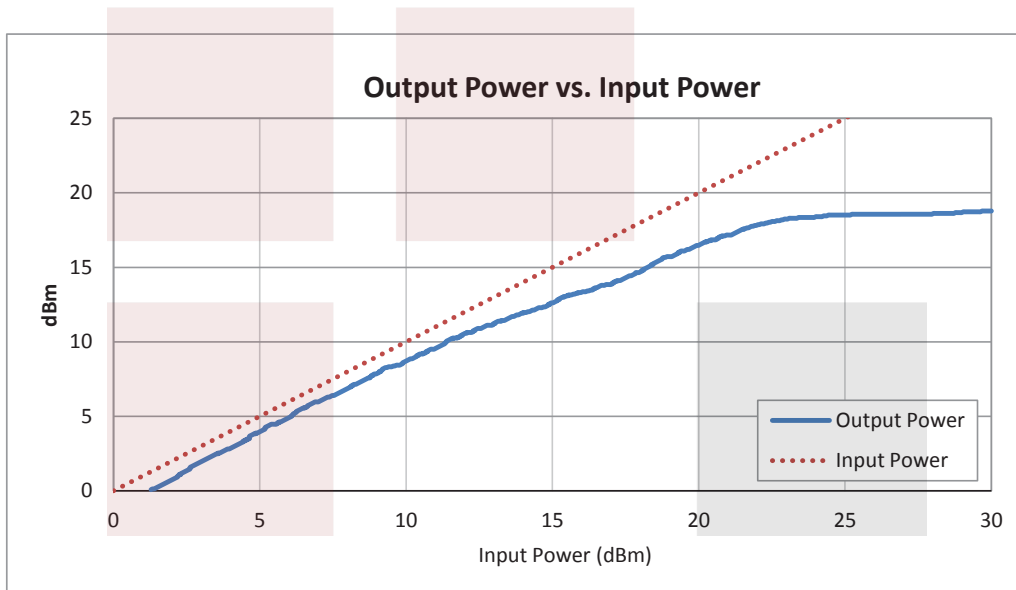
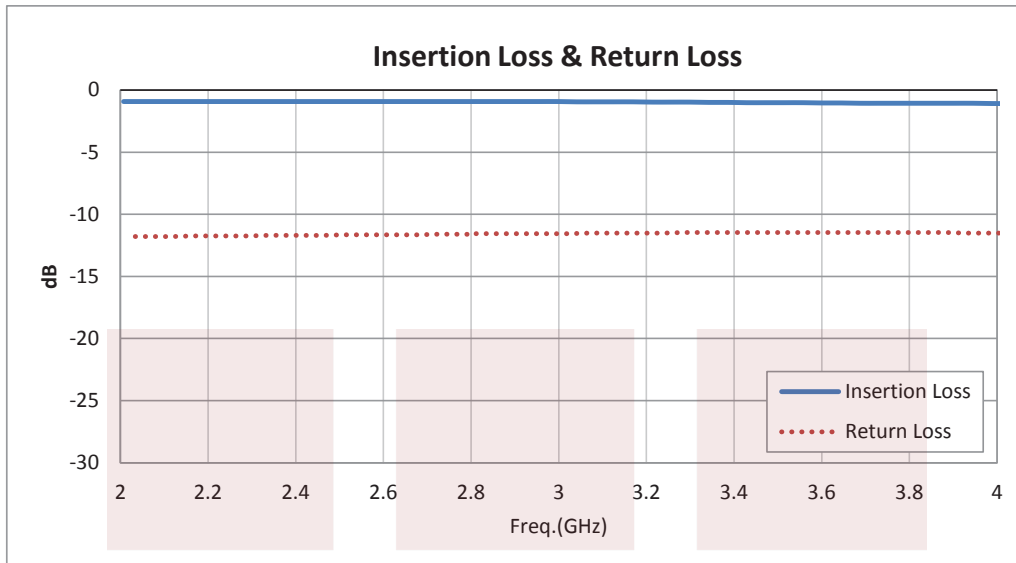
Notes:

- Values at 25°C, sea level.



Fairview Microwave  
 301 Leora Ln., Suite 100  
 Lewisville, TX 75056  
 Tel: 1-800-715-4396 / (972) 649-6678  
 Fax: (972) 649-6689  
[www.fairviewmicrowave.com](http://www.fairviewmicrowave.com)  
[sales@fairviewmicrowave.com](mailto:sales@fairviewmicrowave.com)

**Typical Performance Data**



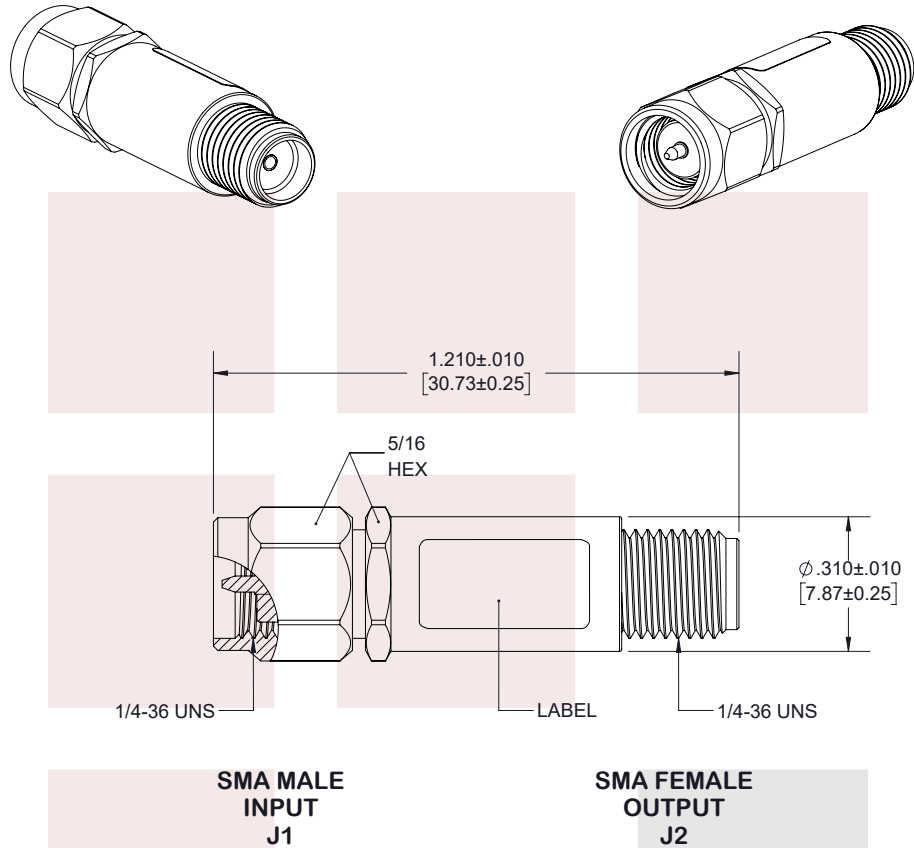
High Power Limiter, SMA, 100W Peak Power, 20 ns Recovery, 18.5 dBm Flat Leakage, 2 GHz to 4 GHz from Fairview Microwave is in-stock and available to ship same-day. All of our RF/microwave products are available off-the-shelf from our ISO 9001:2008 certified facilities in Lewisville, Texas. Fairview Microwave is RF on-demand.

For additional information on this product, please click the following link: [High Power Limiter, SMA, 100W Peak Power, 20 ns Recovery, 18.5 dBm Flat Leakage, 2 GHz to 4 GHz FMMT1020](#)

URL: <https://www.fairviewmicrowave.com/high-power-limiter-sma-100w-peak-power-20-ns-recovery-18.5-dbm-flat-leakage-2-ghz-to-4-ghz-fmmt1020-p.aspx>

The information contained in this document is accurate to the best of our knowledge and representative of the part described herein. It may be necessary to make modifications to the part and/or the documentation of the part, in order to implement improvements. Fairview Microwave reserves the right to make such changes as required. Unless otherwise stated, all specifications are nominal. Fairview Microwave does not make any representation or warranty regarding the suitability of the part described herein for any particular purpose, and Fairview Microwave does not assume any liability arising out of the use of any part or documentation.





LABEL



**STANDARD TOLERANCES**

.X ±0.2  
.XX ±0.01  
.XXX ±0.005

\*STANDARD TOLERANCES APPLY ONLY TO DIMENSIONS IN INCHES



NOTES:  
1. UNLESS OTHERWISE SPECIFIED ALL DIMENSIONS ARE NOMINAL.  
2. ALL SPECIFICATIONS ARE SUBJECT TO CHANGE WITHOUT NOTICE AT ANY TIME.  
3. DIMENSIONS ARE IN INCHES [mm].

TITLE High Power Limiter, SMA, 100W Peak Power, 20 ns Recovery, 18.5 dBm Flat Leakage, 2 GHz to 4 GHz	DWG NO <b>FMMT1020</b>		CAGE CODE <b>3FKR5</b>			
	CAD FILE 04/17/18	SHEET 1 OF 1	SCALE N/A	SIZE A	7361	