

**SMA Mixer from 10 MHz to 1.2 GHz with an IF Range from DC to 1.2 GHz and LO Power of +13 dBm**

The FMMX1017 is a broadband Double Balanced Mixer that operates across an RF and LO frequency range from 10 MHz to 1200 MHz with an IF frequency range of DC to 1200 MHz and supports an LO drive level range from +10 to +16 dBm, with +13 dBm nominal. The design utilizes Schottky Ring Quad Diodes with optimized balun structures and exhibits highly linear performance. Exceptional typical performance includes Conversion Loss of 8 dB, RF to LO and LO to IF isolation levels up to 68 dB, and a high input IP3 level of +22 dBm. The 50 ohm hybrid module does not require any external components or matching circuitry. The rugged compact package assembly supports female SMA connectors, operates over a temperature range of -40°C to +85°C, and is designed to meet MIL-STD-202 environmental test conditions for Humidity, Shock, Vibration, and Altitude for high reliability.



**Features:**

- Broadband Double Balanced Mixer Design
- High Linearity
- LO & RF Frequency Range: 10 MHz to 1200 MHz
- IF Frequency Range: DC to 1200 MHz
- LO Drive Level Range: +10 dBm to +16 dBm
- Schottky Ring Quad Diodes with Optimized Balun Structures
- Conversion Loss: 8 dB typ
- High Port Isolations up to 68 dB typ
- High Input IP3 Level: +22 dBm
- RF Input Up to +9 dBm
- SMA Connectors
- Operating Temperature Range: -40°C to +85°C
- Designed to Meet MIL-STD-202 Environmental Test Conditions

**Electrical Specifications**

Description	Min	Typ	Max	Units
RF Frequency Range	0.01		1.2	GHz
LO Frequency Range	0.01		1.2	GHz
IF Frequency Range	DC		1.2	GHz
Impedance		50		Ohms
Conversion Loss		8	9	dB
LO to RF Isolation	26	45		dB
LO to IF Isolation	20	42		dB
RF Port VSWR		1.5:1	2:1	
IF Port VSWR		1.5:1	2:1	
Input at IP3	+19	+22		dBm
RF Input Power			+9	dBm
LO Input Power		+13		dBm

**Applications:**

- Electronic Warfare
- Point-to-Point Radios
- Point-to-Multipoint Radios
- VSAT
- Radar
- Space Systems

**Mechanical Specifications**

Weight 0.09 lbs [40.82 g]

**Configuration**

Design Double Balanced  
 Package Type Connectorized  
 RF Connector SMA Female  
 LO Connector SMA Female  
 IF Connector SMA Female

**Environmental Specifications**

**Temperature**

Operating Range -40 to +85 deg C  
 Storage Range -55 to +100 deg C

Humidity MIL-STD-202F, Method 103B, Condition B

Fairview Microwave  
 301 Leora Ln., Suite 100  
 Lewisville, TX 75056  
 Tel: 1-800-715-4396 / (972) 649-6678  
 Fax: (972) 649-6689  
[www.fairviewmicrowave.com](http://www.fairviewmicrowave.com)  
[sales@fairviewmicrowave.com](mailto:sales@fairviewmicrowave.com)

Shock  
Vibration  
Altitude

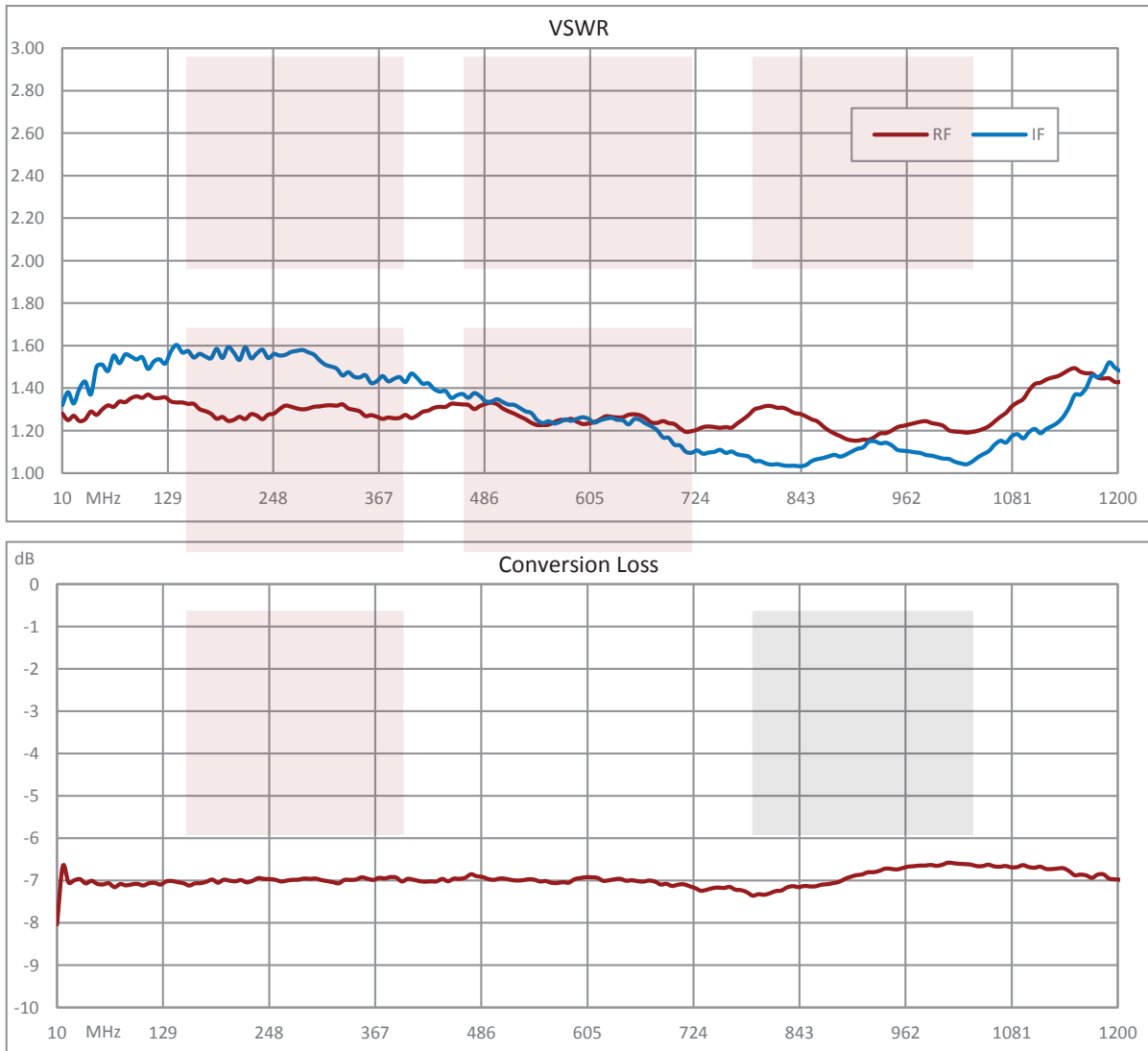
MIL-STD-202F, Method 213B, Condition B  
MIL-STD-202F, Method 204D, Condition B  
MIL-STD-202F, Method 105C, Condition B

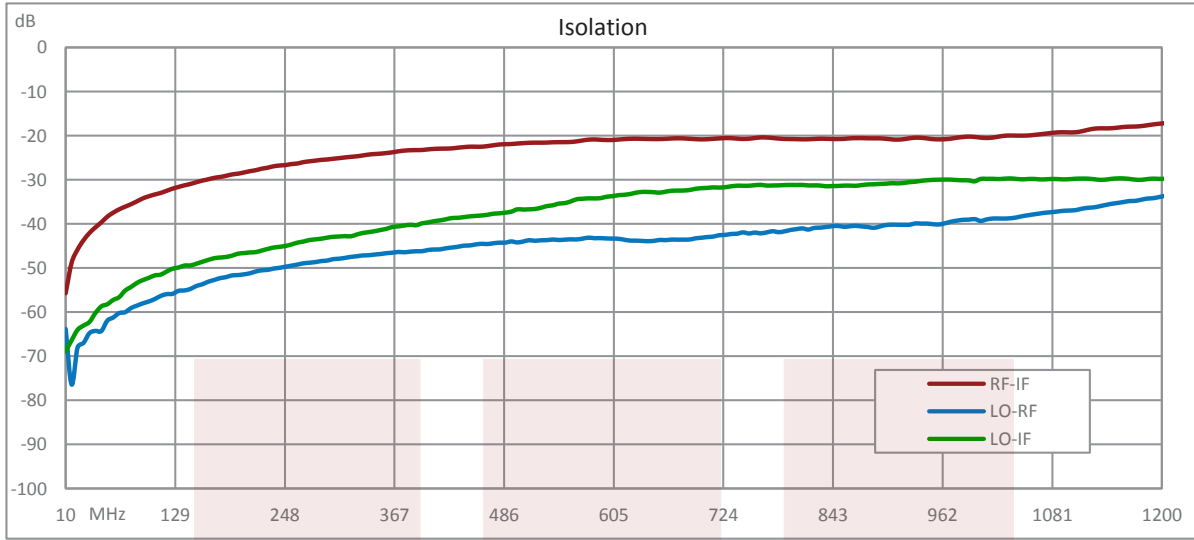
**Compliance Certifications** (see [product page](#) for current document)

**Plotted and Other Data**

Notes:

**Typical Performance Data**



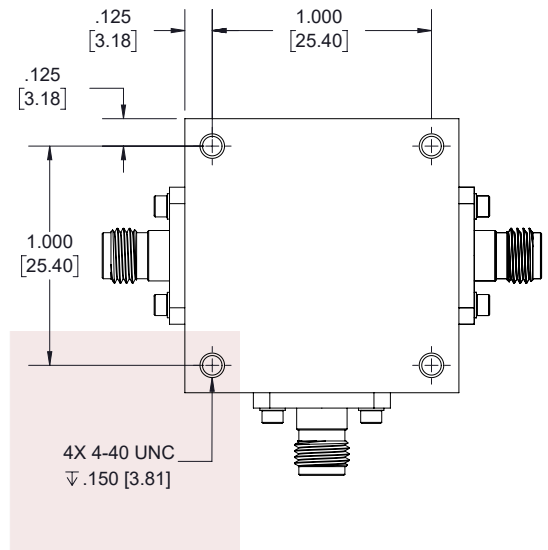
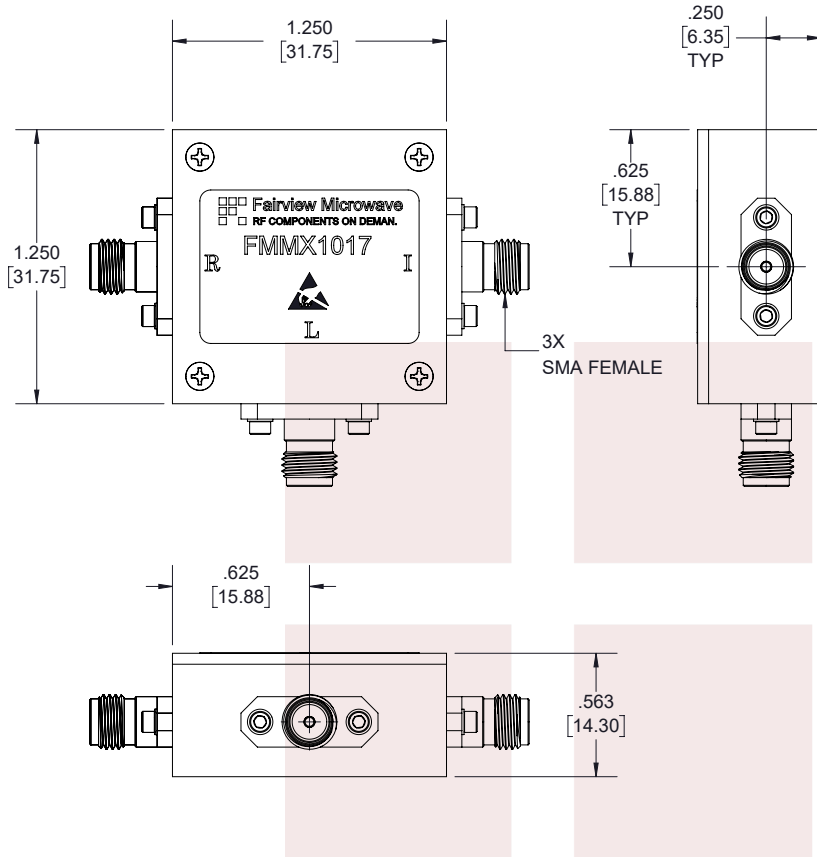


SMA Mixer from 10 MHz to 1.2 GHz with an IF Range from DC to 1.2 GHz and LO Power of +13 dBm from Fairview Microwave is in-stock and available to ship same-day. All of our RF/microwave products are available off-the-shelf from our ISO 9001:2008 certified facilities in Allen, Texas. Fairview Microwave is RF on-demand.

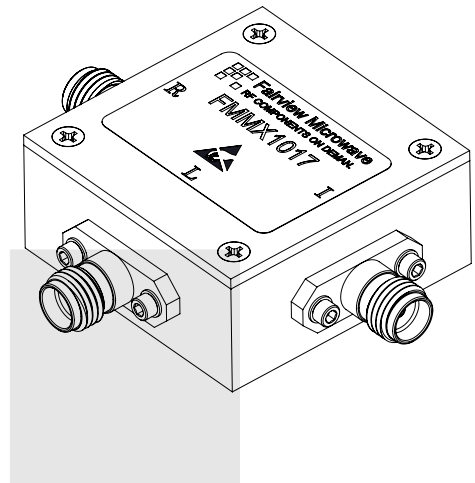
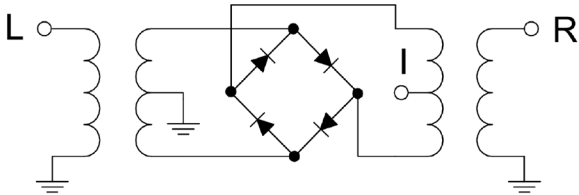
For additional information on this product, please click the following link: [SMA Mixer from 10 MHz to 1.2 GHz with an IF Range from DC to 1.2 GHz and LO Power of +13 dBm FMMX1017](https://www.fairviewmicrowave.com/sma-mixer-13-dbm-fmmx1017-p.aspx)

URL: <https://www.fairviewmicrowave.com/sma-mixer-13-dbm-fmmx1017-p.aspx>

The information contained in this document is accurate to the best of our knowledge and representative of the part described herein. It may be necessary to make modifications to the part and/or the documentation of the part, in order to implement improvements. Fairview Microwave reserves the right to make such changes as required. Unless otherwise stated, all specifications are nominal. Fairview Microwave does not make any representation or warranty regarding the suitability of the part described herein for any particular purpose, and Fairview Microwave does not assume any liability arising out of the use of any part or documentation.



**SCHEMATIC**



STANDARD TOLERANCES	
.X	±0.2
.XX	±0.01
.XXX	±0.005

\*STANDARD TOLERANCES APPLY ONLY TO DIMENSIONS IN INCHES

Fairview Microwave RF COMPONENTS ON DEMAND. <i>Done!</i>		NOTES: 1. UNLESS OTHERWISE SPECIFIED ALL DIMENSIONS ARE NOMINAL. 2. ALL SPECIFICATIONS ARE SUBJECT TO CHANGE WITHOUT NOTICE AT ANY TIME. 3. DIMENSIONS ARE IN INCHES [mm].					
TITLE SMA Mixer from 10 MHz to 1.2 GHz with an IF Range from DC to 1.2 GHz and LO Power of +13 dBm		DWG NO FMMX1017			CAGE CODE 3FKR5		
		CAD FILE 04/26/18	SHEET 1 OF 1	SCALE N/A	SIZE A	7361	