

## SMA Mixer from 1 MHz to 2.7 GHz with an IF Range from 1 MHz to 2 GHz and LO Power of +17 dBm

The FMMX1021 is a broadband Double Balanced Mixer that operates across an RF and LO frequency range from 1 MHz to 2700 MHz with an IF frequency range of 1 MHz to 2000 MHz and supports an LO drive level range from +14 to +20 dBm, with +17 dBm nominal. The design utilizes Schottky Ring Quad Diodes with optimized balun structures and exhibits highly linear performance. Exceptional typical performance includes Conversion Loss of 7 dB, RF to LO and LO to IF isolation levels up to 38 dB, and an input IP3 level of +27.8 dBm. The 50 ohm hybrid module does not require any external components or matching circuitry. The rugged compact package assembly supports female SMA connectors, operates over a temperature range of -40°C to +85°C, and is designed to meet MIL-STD-202 environmental test conditions for Humidity, Shock, Vibration, and Altitude for high reliability.



### Features:

- Broadband Double Balanced Mixer Design
- High Linearity
- LO & RF Frequency Range: 1 MHz to 2700 MHz
- IF Frequency Range: 1 MHz to 2000 MHz
- LO Drive Level Range: +14 dBm to +20 dBm
- Schottky Ring Quad Diodes with Optimized Balun Structures
- Conversion Loss: 7 dB typ
- Port Isolations up to 38 dB typ
- Very High Input IP3 Level: +27.8 dBm
- RF Input Up to +13 dBm
- SMA Connectors / Designed to Meet MIL-STD-202 Environmental Test Conditions

### Electrical Specifications

Description	Min	Typ	Max	Units
RF Frequency Range	0.001		2.7	GHz
LO Frequency Range	0.001		2.7	GHz
IF Frequency Range	0.001		2	GHz
Impedance		50		Ohms
Conversion Loss		7	9.5	dB
LO to RF Isolation	17	38		dB
LO to IF Isolation	16	31		dB
RF Port VSWR		2:1	2.5:1	
LO Port VSWR		1.5:1	2.5:1	
IF Port VSWR		1.5:1	2:1	
Input at IP3	+25	+27.8		dBm
RF Input Power			+13	dBm
LO Input Power		+17		dBm

### Applications:

- Electronic Warfare
- Point-to-Point Radios
- Point-to-Multipoint Radios
- VSAT
- Radar
- Space Systems
- Test Instrumentation
- Sensors

### Mechanical Specifications

Weight 0.09 lbs [40.82 g]

#### Configuration

Design Double Balanced  
 Package Type Connectorized  
 RF Connector SMA Female  
 LO Connector SMA Female  
 IF Connector SMA Female

### Environmental Specifications

#### Temperature

Operating Range -40 to +85 deg C  
 Storage Range -55 to +100 deg C

Fairview Microwave  
 301 Leora Ln., Suite 100  
 Lewisville, TX 75056  
 Tel: 1-800-715-4396 / (972) 649-6678  
 Fax: (972) 649-6689  
[www.fairviewmicrowave.com](http://www.fairviewmicrowave.com)  
[sales@fairviewmicrowave.com](mailto:sales@fairviewmicrowave.com)

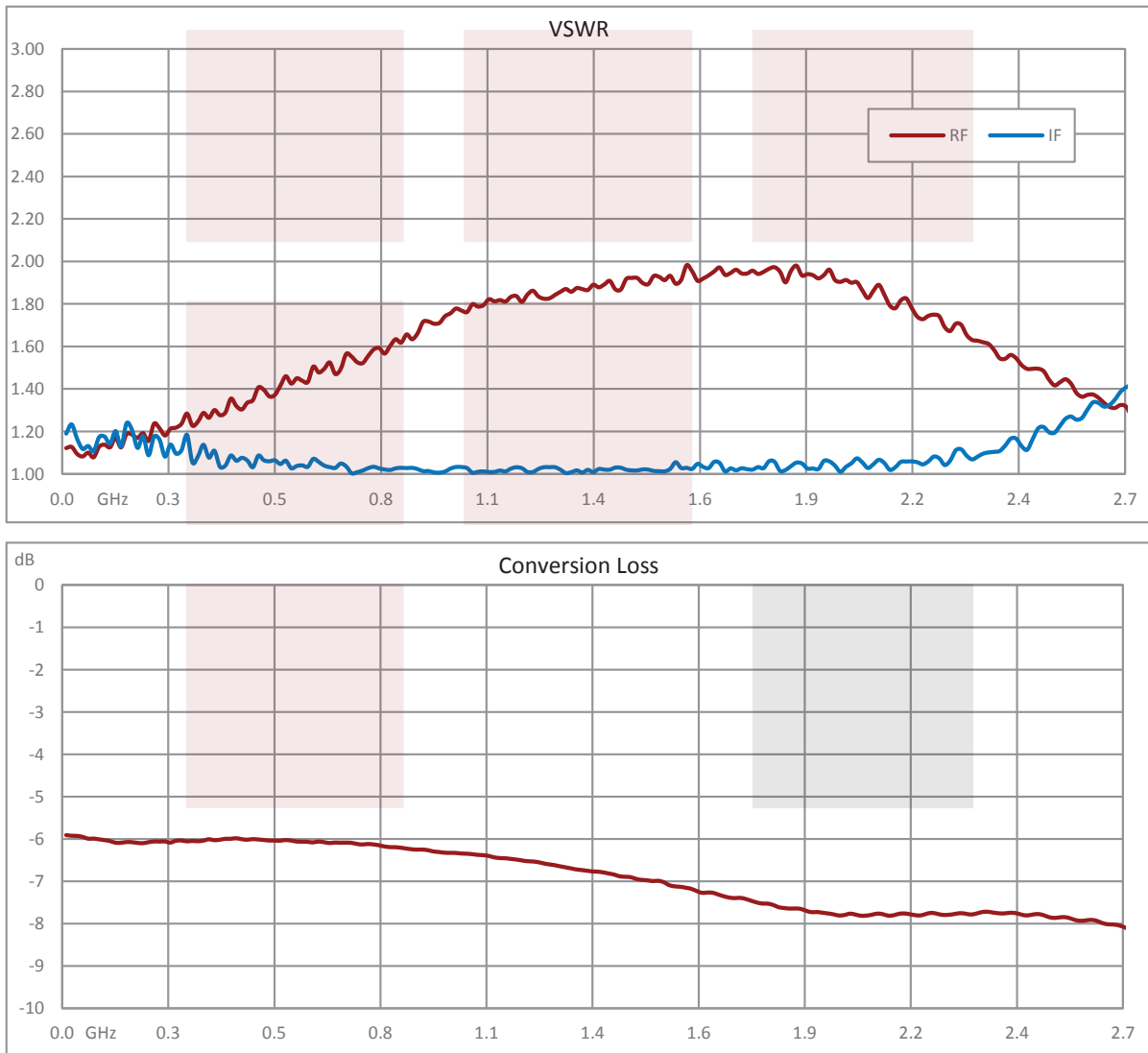
Humidity	MIL-STD-202F, Method 103B, Condition B
Shock	MIL-STD-202F, Method 213B, Condition B
Vibration	MIL-STD-202F, Method 204D, Condition B
Altitude	MIL-STD-202F, Method 105C, Condition B

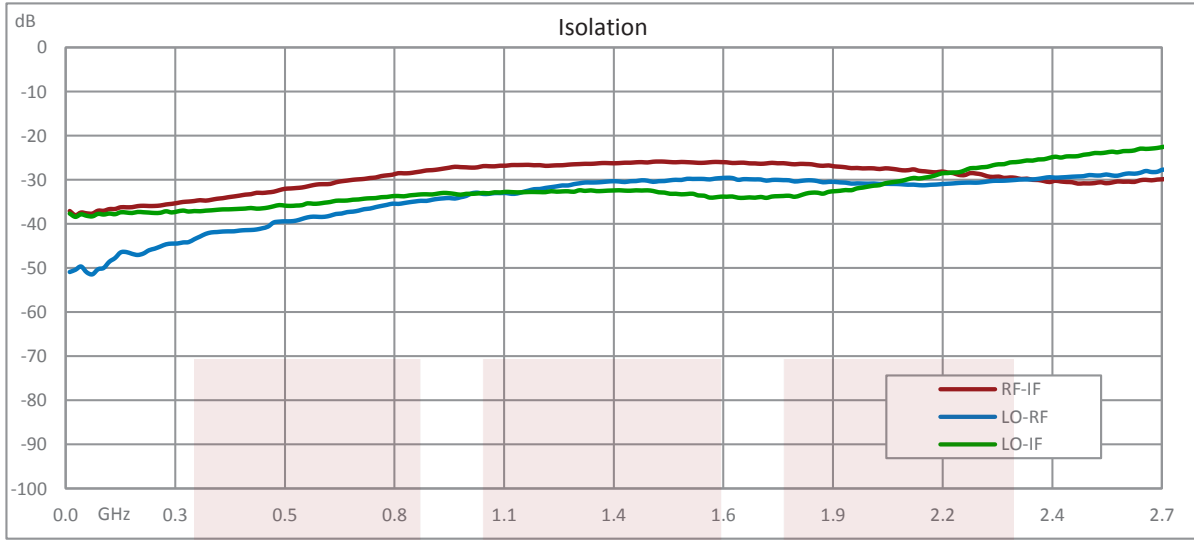
**Compliance Certifications** (see [product page](#) for current document)

**Plotted and Other Data**

Notes:

**Typical Performance Data**



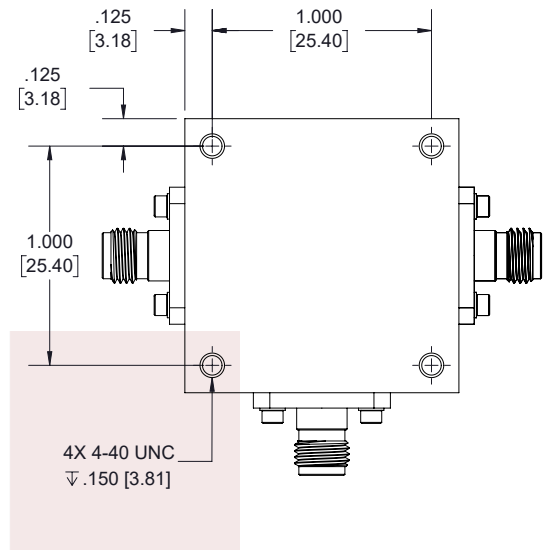
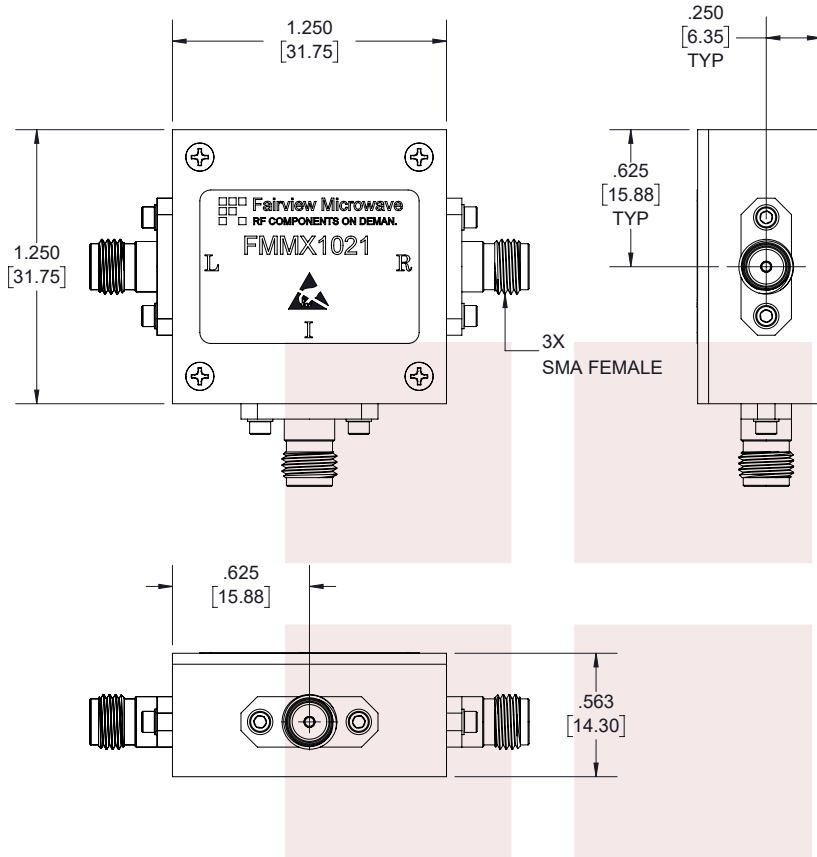


SMA Mixer from 1 MHz to 2.7 GHz with an IF Range from 1 MHz to 2 GHz and LO Power of +17 dBm from Fairview Microwave is in-stock and available to ship same-day. All of our RF/microwave products are available off-the-shelf from our ISO 9001:2008 certified facilities in Allen, Texas. Fairview Microwave is RF on-demand.

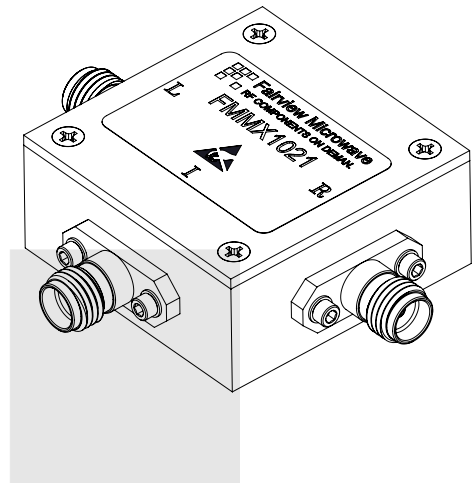
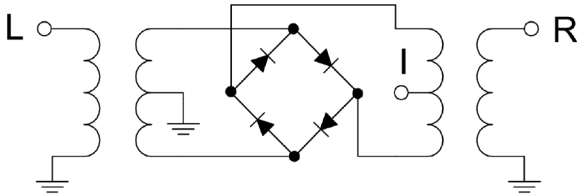
For additional information on this product, please click the following link: [SMA Mixer from 1 MHz to 2.7 GHz with an IF Range from 1 MHz to 2 GHz and LO Power of +17 dBm FMMX1021](https://www.fairviewmicrowave.com/sma-mixer-17-dbm-fmmx1021-p.aspx)

URL: <https://www.fairviewmicrowave.com/sma-mixer-17-dbm-fmmx1021-p.aspx>

The information contained in this document is accurate to the best of our knowledge and representative of the part described herein. It may be necessary to make modifications to the part and/or the documentation of the part, in order to implement improvements. Fairview Microwave reserves the right to make such changes as required. Unless otherwise stated, all specifications are nominal. Fairview Microwave does not make any representation or warranty regarding the suitability of the part described herein for any particular purpose, and Fairview Microwave does not assume any liability arising out of the use of any part or documentation.



**SCHEMATIC**



**STANDARD TOLERANCES**

- .X ±0.2
- .XX ±0.01
- .XXX ±0.005

\*STANDARD TOLERANCES APPLY ONLY TO DIMENSIONS IN INCHES

		NOTES: 1. UNLESS OTHERWISE SPECIFIED ALL DIMENSIONS ARE NOMINAL. 2. ALL SPECIFICATIONS ARE SUBJECT TO CHANGE WITHOUT NOTICE AT ANY TIME. 3. DIMENSIONS ARE IN INCHES [mm].	
TITLE  SMA Mixer from 1 MHz to 2.7 GHz with an IF Range from 1 MHz to 2 GHz and LO Power of +17 dBm		DWG NO <b>FMMX1021</b>	CAGE CODE <b>3FKR5</b>
CAD FILE	04/26/18	SHEET	1 OF 1
SCALE	N/A	SIZE	A
		7361	