

Field Replaceable SMA Mixer from 2 GHz to 18 GHz with an IF Range from 1 GHz to 6 GHz and LO Power of +14 dBm

The FMMX1032 is a broadband Triple Balanced Mixer that operates across an RF and LO frequency range from 2 GHz to 18 GHz with an IF frequency range of 1 GHz to 6 GHz and supports an LO drive level of +14 dBm max. The design utilizes high performance GaAs Schottky diodes in a balanced configuration to produce exceptional typical performance that includes Conversion Loss of 8 dB, 25 dB LO to RF Isolation, and 30 dB LO to IF Isolation. The rugged compact package assembly supports female SMA connectors on the RF, LO and IF port.



Electrical Specifications

Description	Min	Typ	Max	Units
RF Frequency Range	2		18	GHz
LO Frequency Range	2		18	GHz
IF Frequency Range	1		6	GHz
Impedance		50		Ohms
Conversion Loss		8		dB
LO to RF Isolation		25		dB
LO to IF Isolation		30		dB
LO Input Power	+10		+14	dBm

Electrical Specification Notes:

Max LOin (dBm): +20dBm

Max RF/IF (dBm): +10dBm

DC Bias at the RF input may damage the amplifier

All specifications are tested under case temperature @25°C

Mechanical Specifications

Size

Length	0.811 in [20.6 mm]
Width	0.591 in [15.01 mm]
Height	0.276 in [7.01 mm]

Configuration

Design	Triple Balanced
Package Type	Connectorized
Connector Option	Field Replaceable
RF Connector	SMA Female
LO Connector	SMA Female
IF Connector	SMA Female

Environmental Specifications

Compliance Certifications (see [product page](#) for current document)

Plotted and Other Data

Notes:

Features:

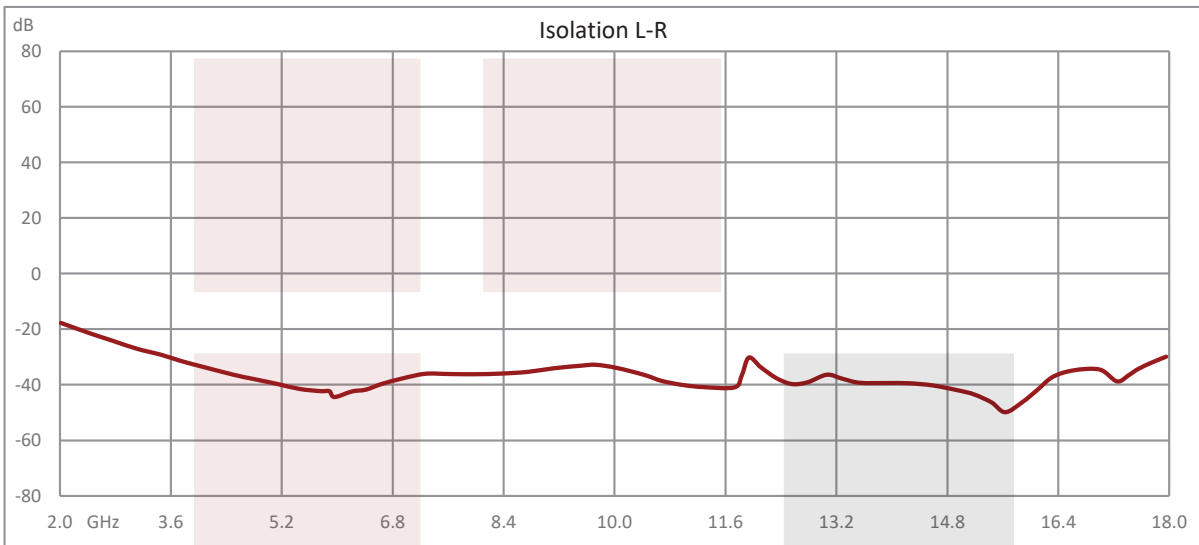
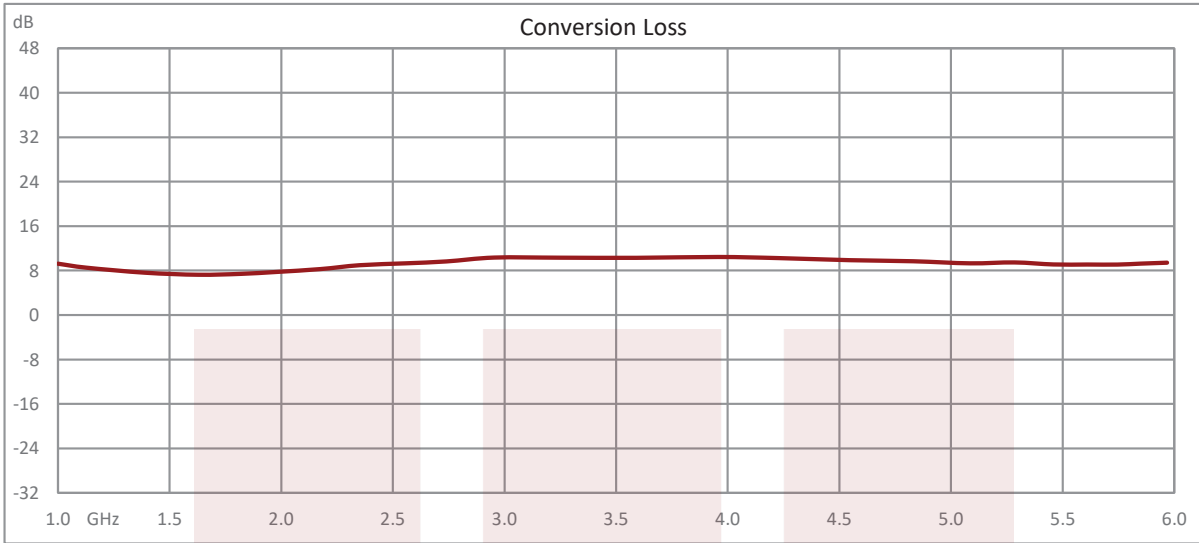
- Triple Balanced Mixer Design
- LO & RF Frequency Range: 2 GHz to 18 GHz
- IF Frequency Range: 1 GHz to 6 GHz
- LO Drive Level +14 dBm
- Conversion Loss: 8 dB typ
- LO to RF Isolation: 25 dB typ
- LO to IF Isolation: 30 dB typ
- RF/LO Connectors: Female SMA
- IF Connector: Female SMA
- Balanced Configuration uses GaAs Schottky diodes

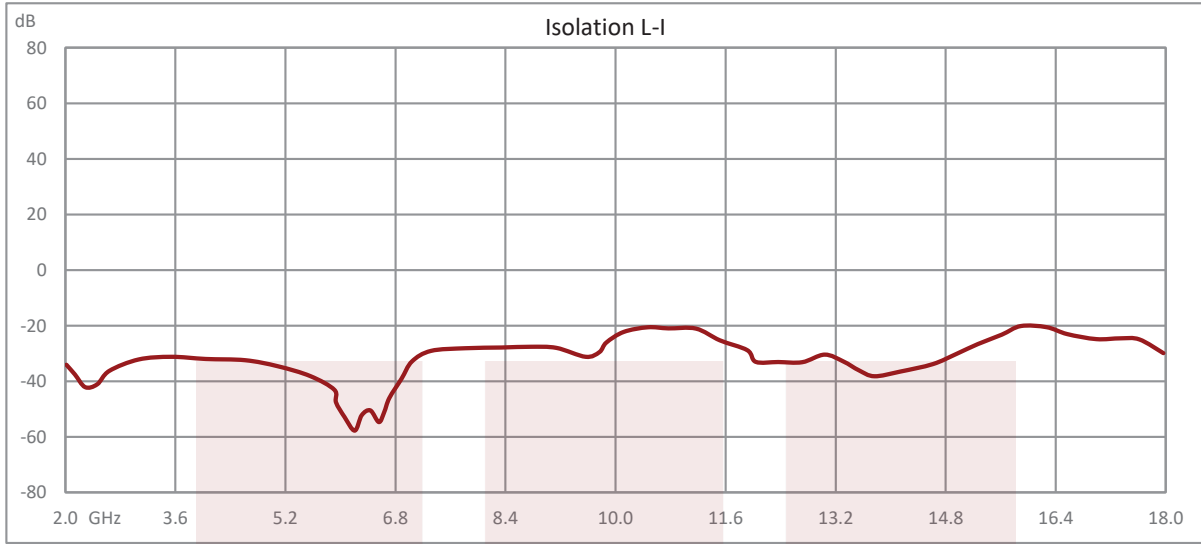
Applications:

- Electronic Warfare
- Point-to-Point Radios
- Point-to-Multipoint Radios
- VSAT
- Radar
- Space Systems
- Test Instrumentation
- Sensors
- Telecom Infrastructure
- Military End-Use

Fairview Microwave
301 Leora Ln., Suite 100
Lewisville, TX 75056
Tel: 1-800-715-4396 / (972) 649-6678
Fax: (972) 649-6689
www.fairviewmicrowave.com
sales@fairviewmicrowave.com

Typical Performance Data





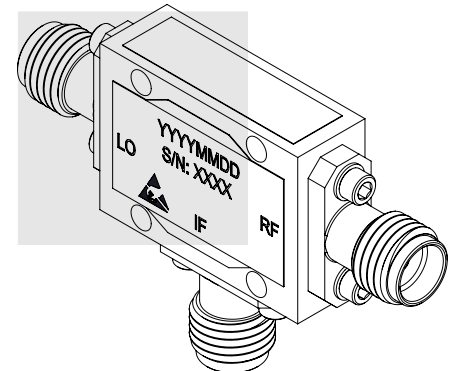
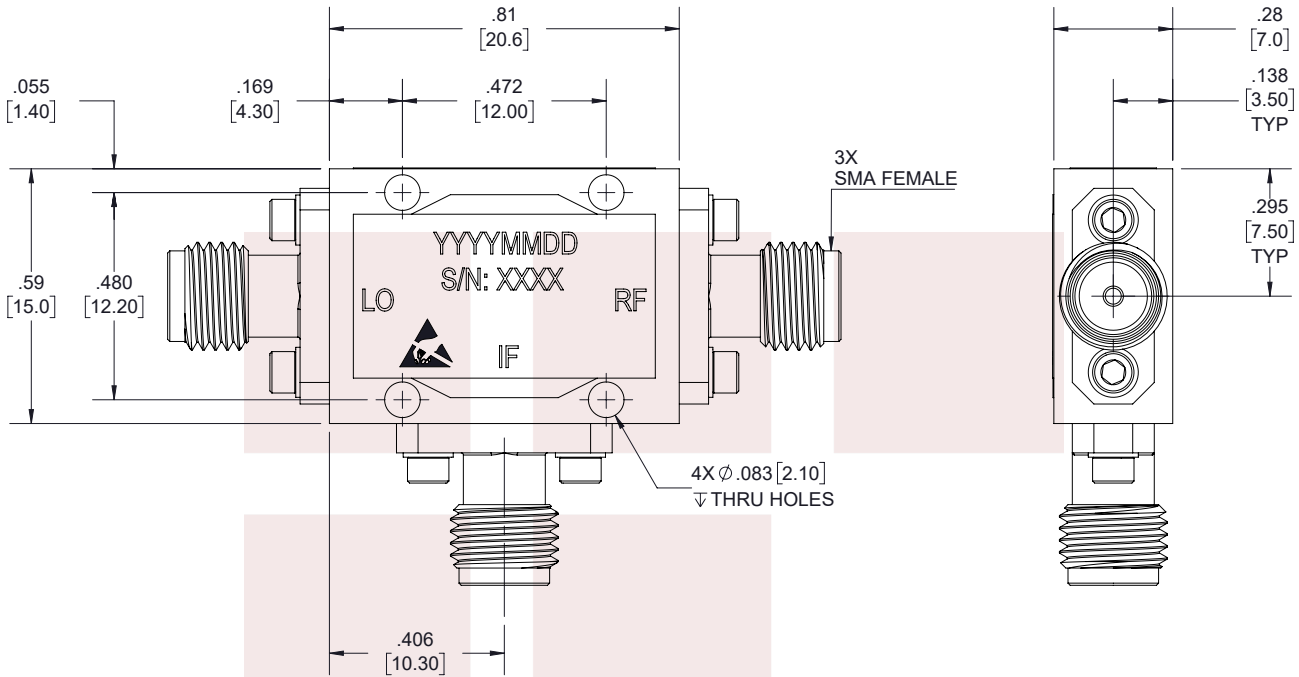
Field Replaceable SMA Mixer from 2 GHz to 18 GHz with an IF Range from 1 GHz to 6 GHz and LO Power of +14 dBm from Fairview Microwave is in-stock and available to ship same-day. All of our RF/microwave products are available off-the-shelf from our ISO 9001:2008 certified facilities in Lewisville, Texas. Fairview Microwave is RF on-demand.

For additional information on this product, please click the following link: [Field Replaceable SMA Mixer from 2 GHz to 18 GHz with an IF Range from 1 GHz to 6 GHz and LO Power of +14 dBm FMMX1032](https://www.fairviewmicrowave.com/field-replaceable-sma-mixer-0-dbm-fmmx1032-p.aspx)

URL: <https://www.fairviewmicrowave.com/field-replaceable-sma-mixer-0-dbm-fmmx1032-p.aspx>

The information contained in this document is accurate to the best of our knowledge and representative of the part described herein. It may be necessary to make modifications to the part and/or the documentation of the part, in order to implement improvements. Fairview Microwave reserves the right to make such changes as required. Unless otherwise stated, all specifications are nominal. Fairview Microwave does not make any representation or warranty regarding the suitability of the part described herein for any particular purpose, and Fairview Microwave does not assume any liability arising out of the use of any part or documentation.

REVISIONS			
REV.	DESCRIPTION	DATE	APPROVED
A	INITIAL RELEASE	8/31/2020	T.GALLA



LABEL



THESE COMMODITIES, TECHNOLOGY OR SOFTWARE WERE EXPORTED FROM THE UNITED STATES IN ACCORDANCE WITH THE EXPORT ADMINISTRATION REGULATIONS. DIVERSION CONTRARY TO U.S. LAW PROHIBITED.



TITLE
Field Replaceable SMA Mixer from 2 GHz to 18 GHz with an IF Range from 1 GHz to 6 GHz and LO Power of +14 dBm

UNLESS OTHERWISE SPECIFIED LEADING DIMENSIONS ARE INCHES
DIMENSIONS IN [] ARE MILLIMETERS

TOLERANCES:		CABLE LENGTH (L) TOLERANCES:	
.X = ±.2 [5.08]	FRACTIONS ± 1/32	L ≤ 12 [305] = +1 [25] / -0	
.XX = ±.02 [.51]		12 [305] < L ≤ 60 [1524] = +2 [51] / -0	
.XXX = ±.005 [.13]	ANGLES ± 1°	60 [1524] < L ≤ 120 [3048] = +4 [102] / -0	
		120 [3048] < L ≤ 300 [7620] = +6 [152] / -0	
		300 [7620] < L = +5%L / -0	

THIRD-ANGLE PROJECTION



THE INFORMATION AND DESIGN IN THIS DOCUMENT IS THE PROPERTY OF FAIRVIEW MICROWAVE CORPORATION. ALL RIGHTS RESERVED.

SHEET 1 OF 1

ALL DIMENSIONS SHOWN ARE FOR REFERENCE ONLY.

SCALE N/A

SIZE	CAGE CODE	DRAWN BY	ITEM NO.	REV
A	3FKR5	K.DANG	FMMX1032	A

T-Rev.D