

### Calibrated Noise Source Module With a Noise Output ENR of 15 dB, and a Voltage of +28 VDC, Operating From 10 MHz to 6 GHz With SMA

FMNG1021 is a coaxial packaged Noise Source module which operates over a wide frequency range from 10 MHz to 6 GHz. The design is calibrated in 1 GHz steps and is ideal for Noise Figure measurements and a variety of built-in test applications. This model operates at +28 Vdc and features an output ENR level of 15 dB min, typical flatness across the entire frequency band is +/- 2.0 dB, and excellent stability. Performance is specified over -20°C to +75°C with Noise Output Temperature Variation <0.01 dB/°C, Noise Output Variation <0.1 dB/%V. The rugged package design supports an input Female BNC connector for DC biasing and an output Female SMA connector. Additionally, the model is designed to meet a variety of demanding MIL-STD-202F environmental test conditions including Humidity, Thermal Shock, and Vibration for added confidence for highly reliable operation.

#### Electrical Specifications

Description	Min	Typ	Max	Units
Frequency Range	0.01		6	GHz
Impedance		50		Ohms
Output ENR	15			dB
Flatness		±1.5		dB
VSWR			1.35:1	
Supply Voltage Sensitivity			0.1	dB/%V
Thermal Sensitivity			0.01	dB/°C
Bias Voltage 1	22	28	30	Volts
Input Current 1			25	mA
Calibration Points	1 GHz Step			

#### Mechanical Specifications

<b>Size</b>	
Length	1.25 in [31.75 mm]
Width/Dia.	0.75 in [19.05 mm]
Height	0.5 in [12.7 mm]
Weight	0.104 lbs [47.17 g]
Package Type	Connectorized Module
<b>Connectors</b>	
DC Connector	BNC Female
Output Connector	SMA Female

#### Environmental Specifications

<b>Temperature</b>	
Operating Range	-20 to +75 °C
<b>Environment</b>	
Humidity	MIL-STD-202F, Method 103, Cond B (96 hrs@95% R.H.)
Vibration	MIL-STD-202F, Method 204, Cond B (0.6" 2x ampl or 15g)
ESD Sensitivity	ESD Sensitive Material, Transport material in Approved ESD bags. Handle only in ESD Workstation.



#### Features:

- 10 MHz to 6 GHz Frequency Range
- Output Noise ENR 15 dB min
- Flatness 2.0 dB typ
- 28 VDC Operation
- Small Size 1.25" by 0.75" by 0.50"
- Internal Voltage Regulation

#### Applications:

- Measure Noise Figure
- Signal Strength Calibrators
- Radar
- Jamming
- SATCOM for BER and NF
- Source of Jitter

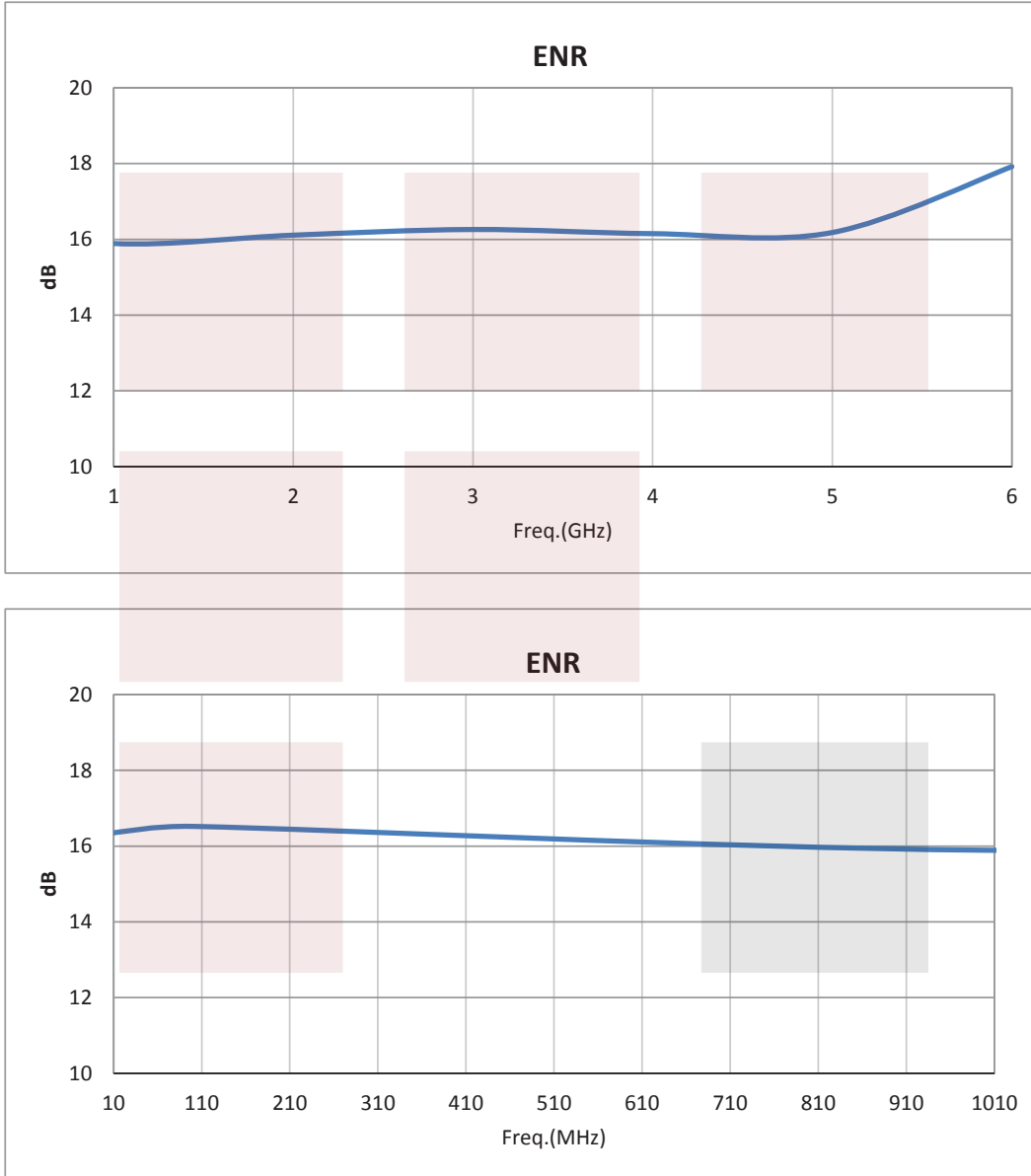
Fairview Microwave  
301 Leora Ln., Suite 100  
Lewisville, TX 75056  
Tel: 1-800-715-4396 / (972) 649-6678  
Fax: (972) 649-6689  
[www.fairviewmicrowave.com](http://www.fairviewmicrowave.com)  
[sales@fairviewmicrowave.com](mailto:sales@fairviewmicrowave.com)

**Compliance Certifications** (see [product page](#) for current document)

**Plotted and Other Data**

Notes:

**Typical Performance Data**



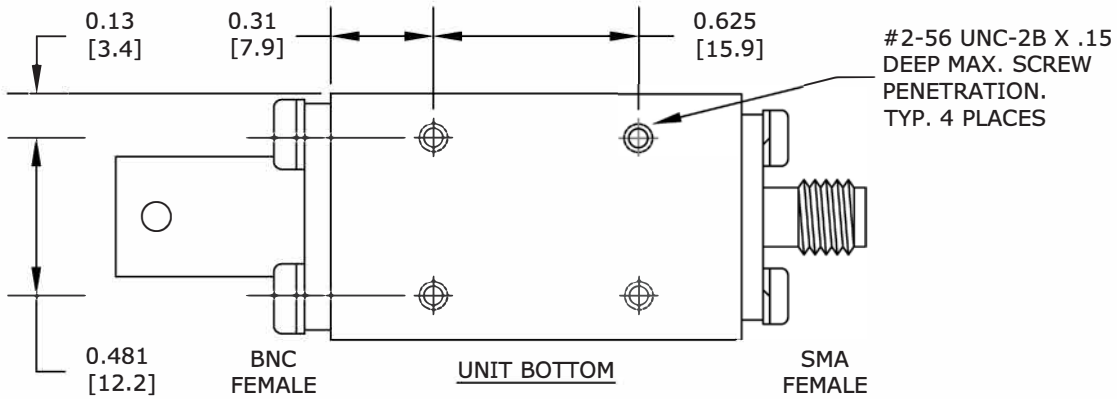
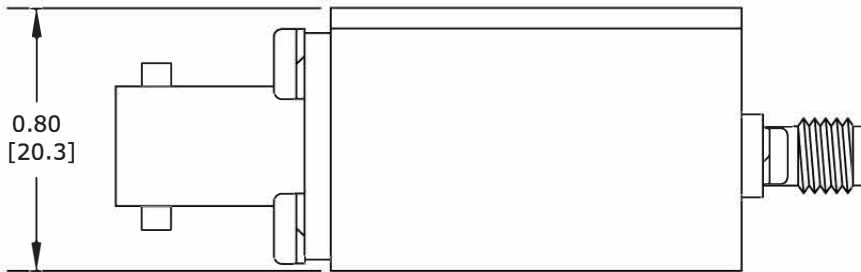
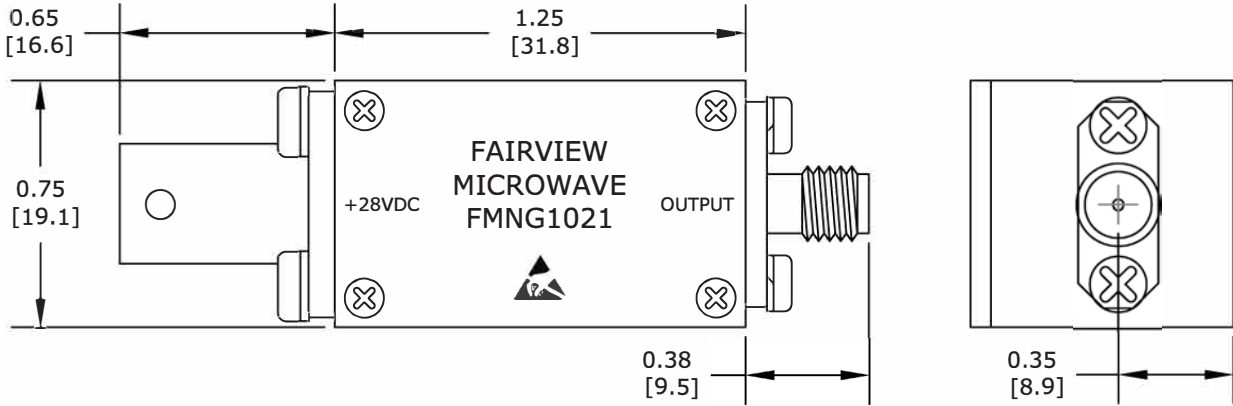
Calibrated Noise Source Module With a Noise Output ENR of 15 dB, and a Voltage of +28 VDC, Operating From 10 MHz to 6 GHz With SMA from Fairview Microwave is in-stock and available to ship same-day. All of our RF/microwave products are available off-the-shelf from our ISO 9001:2008 certified facilities in Lewisville, Texas. Fairview Microwave is RF on-demand.

Click the following link to obtain additional part information: [Calibrated Noise Source Module With a Noise Output ENR of 15 dB, and a Voltage of +28 VDC, Operating From 10 MHz to 6 GHz With SMA FMNG1021](#)

URL: <https://www.fairviewmicrowave.com/calibrated-noise-source-enr-15-db-6-ghz-sma-fmng1021-p.aspx>

The information contained in this document is accurate to the best of our knowledge and representative of the part described herein. It may be necessary to make modifications to the part and/or the documentation of the part, in order to implement improvements. Fairview Microwave reserves the right to make such changes as required. Unless otherwise stated, all specifications are nominal. Fairview Microwave does not make any representation or warranty regarding the suitability of the part described herein for any particular purpose, and Fairview Microwave does not assume any liability arising out of the use of any part or documentation.





<b>FAIRVIEW MICROWAVE INC.</b>		NOTES: 1. UNLESS OTHERWISE SPECIFIED ALL DIMENSIONS ARE NOMINAL. 2. ALL SPECIFICATIONS ARE SUBJECT TO CHANGE WITHOUT NOTICE AT ANY TIME. 3. DIMENSIONS ARE IN INCHES [mm].		
WWW.FAIRVIEWMICROWAVE.COM		DWG NO	CAGE CODE	
TITLE		FMNG1021		3FKR5
Calibrated Noise Source Module With a Noise Output ENR of 15 dB, and a Voltage of +28 VDC, Operating From 10 MHz to 6 GHz With SMA		CAD FILE	SHEET	SCALE N/A
		110515		SIZE A 2233