

### 3.5mm Female Open Circuit Calibration Kit Component for General Purpose Up to 8.5 GHz

The new FMSC2002 from Fairview Microwave is designed to withstand daily use in high-traffic environments such as in the testing lab or on the production floor. This cost effective calibration kit component provides reliable and accurate instrument tuning for all of your test and measurement requirements. Fairview Microwave carries a broad selection of off-the-shelf calibration kits and T&M components all of which ship the same day you order them.

#### Configuration

Connector	3.5mm Female
Component Type	Open Circuit
Impedance	50 Ohms
Frequency Range	DC to 8.5 GHz

#### Electrical Specifications

Description	Minimum	Typical	Maximum	Units
Frequency Range	DC - 8500			MHz
Impedance	50			Ohm
Phase, DC-3000 MHz	0.8	Nominal	0.8	Degrees
Phase, 3001 - 8500 MHz	1.2	Nominal	1.2	Degrees

#### Mechanical Specifications

Item	Description	Units
Housing	Phosphor Bronze	
Connector	50 Ohm 3.5mm Female	
Connector Screw Thread	1/4"-36 UNS	Inch
Dimensions	0.473 [12] $\phi$ , 0.733 [18.6] L	Inch [mm]
Net Weight	10	g



#### Features:

- Functional from DC to 8.5 GHz
- See FMCK1001 for full standard kit which includes (8) 3.5mm short-open-load-thru (SOLT) components
- Suitable for many 50 Ohm network analyzers including, but not limited to:
- Agilent / HP (8711/8712, 8713/8714, 8753, E5061A, E5062A, E5061B, E5071C, E5072A)
- Anritsu / Advantest (MS2028S, MS2026S, MS2025S, MS2024S, MS2038C, MS2036C, MS2035B, MS2034B, MS4640B, R3755A, R3760)
- Copper Mountain (5048, 804, 304, 818, 814)
- Deviser (NA7300A, NA7100A)
- EI41(AV3656A)
- OuFu (OF7631A, OF7633A)
- PNA (PNA3766, PNA3767)
- Rohde & Schwarz (ZVL, ZVC, ZVB)
- Tianda (TD3616C, TD3617E, TD3618C, TD3619C)

#### Applications:

- VNA, Full 2-Port CAL
- VNA, Thru CAL
- VNA, Substitution CAL Method
- Test & Measurement
- Lab Equipment Accessories
- Engineering Test and Evaluation
- General Purpose Test and Evaluation

Fairview Microwave  
1130 Junction Dr. #100  
Allen, TX 75013  
Tel: 1-800-715-4396 / (972) 649-6678  
Fax: (972) 649-6689  
[www.fairviewmicrowave.com](http://www.fairviewmicrowave.com)  
[sales@fairviewmicrowave.com](mailto:sales@fairviewmicrowave.com)

## General Instructions and Usage Notes

#	Notes
1	Keep provided protective red caps installed when not in use.
2	Store in climate controlled environment.
3	Always keep connectors clean.
4	Avoid touching the connector interface.
5	Use caution when handling.
6	For female components, do not insert male pin greater than 0.037" [.94 mm]. <b>Failure to comply will result in damage to the female connector.</b>
7	When mating, always ensure that the components to be interconnected remain in a fixed position while rotating <b>only the coupling nut</b> slowly to mate the connectors.
8	When de-mating, always ensure that the interconnected components remain in a fixed position while rotating <b>only the coupling nut</b> slowly to de-mate the connectors.
9	Visually inspect the connector threads prior to use. If needed, clean the center conductor pin and outer conductor with alcohol to remove any debris that may be present. <b>Be sure to apply the alcohol in a circular motion with a lint-free cloth or applicator.</b>
10	Use at room temperature.
11	Torque wrench provided is intended for 3.5mm connector types and is calibrated to 8 in-lbs.

**Compliance Certifications** (visit [www.FairviewMicrowave.com](http://www.FairviewMicrowave.com) for current document)

RoHS Compliant	Yes
REACH Compliant	06/16/2014

**Plotted and Other Data**

Notes:

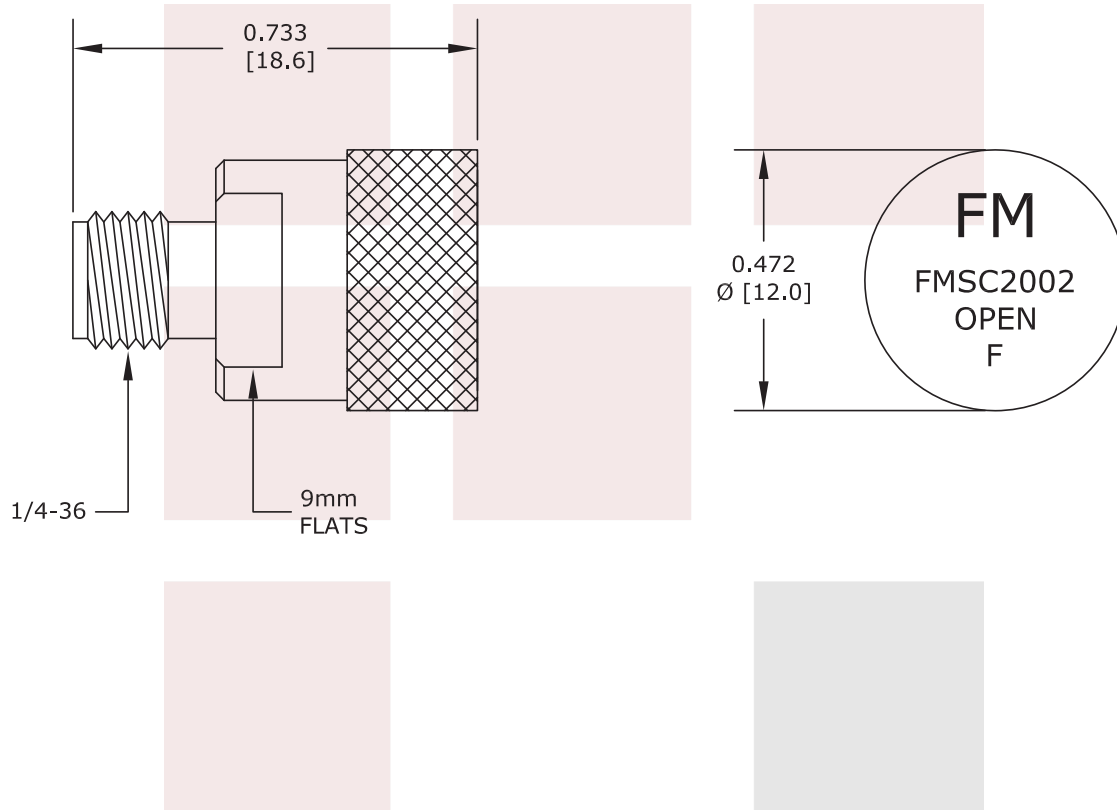
- Values at 25 °C, sea level

3.5mm Female Open Circuit Calibration Kit Component for General Purpose Up to 8.5 GHz from Fairview Microwave is in-stock and available to ship same-day. All of our RF/microwave products are available off-the-shelf from our ISO 9001:2008 certified facilities in Allen, Texas. Fairview Microwave is RF on-demand.

For additional information on this product, please click the following link: [3.5mm Female Open Circuit Calibration Kit Component for General Purpose Up to 8.5 GHz FMSC2002](#)

URL: <http://www.fairviewmicrowave.com/50ohm-3.5mm-female-calibration-kit-component-open-circuit-8.5-ghz-fm-sc2002-p.aspx>

The information contained in this document is accurate to the best of our knowledge and representative of the part described herein. It may be necessary to make modifications to the part and/or the documentation of the part, in order to implement improvements. Fairview Microwave reserves the right to make such changes as required. Unless otherwise stated, all specifications are nominal. Fairview Microwave does not make any representation or warranty regarding the suitability of the part described herein for any particular purpose, and Fairview Microwave does not assume any liability arising out of the use of any part or documentation.



<b>FAIRVIEW MICROWAVE INC.</b> ALLEN, TX 75013 WWW.FAIRVIEWMICROWAVE.COM		NOTES: 1. UNLESS OTHERWISE SPECIFIED ALL DIMENSIONS ARE NOMINAL. 2. ALL SPECIFICATIONS ARE SUBJECT TO CHANGE WITHOUT NOTICE AT ANY TIME. 3. DIMENSIONS ARE IN INCHES [mm].			
TITLE 3.5mm Female Open Circuit Calibration Kit Component for General Purpose Up to 8.5 GHz		DWG NO FMSC2002		CAGE CODE 3FKR5	
		CAD FILE 012815	SHEET	SCALE N/A	SIZE A 2233