

2.92mm Male Open Calibration Kit Component for Precision Up to 40 GHz

2.92mm male open calibration kit component, part number FMSC3028, from Fairview Microwave is in-stock and ships same day. This 2.92mm precision open circuit can be used for calibration of most vector network analyzers (VNA), cable analyzers or site analyzers. Coefficients for this 2.92mm open calibrating component are provided in the datasheet. These can be entered into most VNAs to provide the necessary corrections, thereby allowing replacement of misplaced or damaged calibration components. Precision control of the impedance and electrical length allow for OSLT analyzer calibrations over the complete frequency range of the connector interface provided.

Fairview's 2.92mm open circuit calibration component FMSC3028 datasheet specifications and outline drawing are shown in this PDF below. Our extensive offering for RF, microwave and millimeter wave components allows designers to configure and customize their test solutions however they like. From calibration kit replacement to SOLT / OSLT VNA calibration, Fairview Microwave has the right calibration kit components to meet your needs and ship them same-day.



Features:

- Controlled Impedance
- Published Calibration Coefficients
- Replaces Damaged Calibrating Kit Components
- Controlled Electrical Length
- Precision Interfaces
- In Stock and Ready to Ship

Electrical Specifications

Description	Min	Typ	Max	Units
Frequency Range	DC		40	GHz
Impedance		50		Ohms
Phase Accuracy			±1.5	deg
Offset Loss		3.39		GOhm/s
Electrical Delay		14.8487		ps
Capacitance				
C0		44.1578		10 ⁻¹⁵ F
C1		71.4204		10 ⁻²⁷ F/Hz
C2		-0.1716		10 ⁻³⁶ F/Hz ²
C3		0.2048		10 ⁻⁴⁵ F/Hz ³

Applications:

- SOLT or OSLT Calibration
- VNA Calibration
- Device Characterization
- De-embedding
- Replacement Calibration Kits

Mechanical Specifications

Pin Depth 0.0001 to 0.0004 in

Connector 1

Connector Type 2.92mm Male
 Body Material and Plating Beryllium Copper, Gold

Connector 2

Environmental Specifications

Compliance Certifications (see [product page](#) for current document)

Plotted and Other Data

Notes:

- Values at +25 °C, sea level

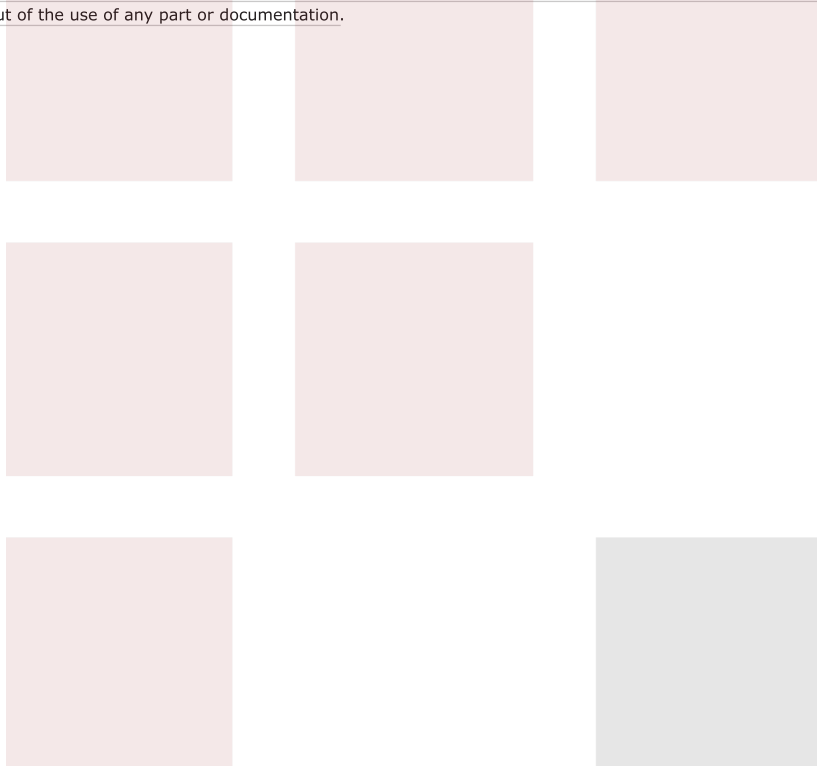
Fairview Microwave
 301 Leora Ln., Suite 100
 Lewisville, TX 75056
 Tel: 1-800-715-4396 / (972) 649-6678
 Fax: (972) 649-6689
www.fairviewmicrowave.com
sales@fairviewmicrowave.com

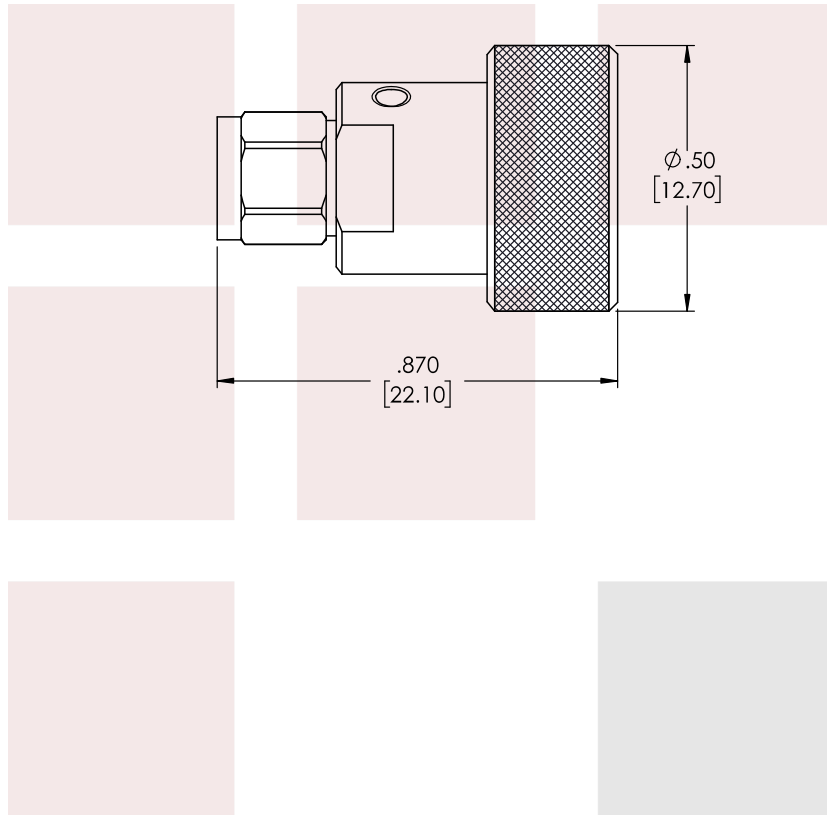
2.92mm Male Open Calibration Kit Component for Precision Up to 40 GHz from Fairview Microwave is in-stock and available to ship same-day. All of our RF/microwave products are available off-the-shelf from our ISO 9001:2008 certified facilities in Allen, Texas. Fairview Microwave is RF on-demand.

For additional information on this product, please click the following link: [2.92mm Male Open Calibration Kit Component for Precision Up to 40 GHz FMSC3028](#)

URL: <https://www.fairviewmicrowave.com/2.92mm-male-calibration-kit-component-open-40-ghz-fm3028-p.aspx>

The information contained in this document is accurate to the best of our knowledge and representative of the part described herein. It may be necessary to make modifications to the part and/or the documentation of the part, in order to implement improvements. Fairview Microwave reserves the right to make such changes as required. Unless otherwise stated, all specifications are nominal. Fairview Microwave does not make any representation or warranty regarding the suitability of the part described herein for any particular purpose, and Fairview Microwave does not assume any liability arising out of the use of any part or documentation.





STANDARD TOLERANCES	
.X	±0.2
.XX	±0.01
.XXX	±0.005

*STANDARD TOLERANCES APPLY ONLY TO DIMENSIONS IN INCHES

FAIRVIEW MICROWAVE INC. ALLEN, TX 75013 WWW.FAIRVIEWMICROWAVE.COM		NOTES: 1. UNLESS OTHERWISE SPECIFIED ALL DIMENSIONS ARE NOMINAL. 2. ALL SPECIFICATIONS ARE SUBJECT TO CHANGE WITHOUT NOTICE AT ANY TIME. 3. DIMENSIONS ARE IN INCHES [mm].			
TITLE 2.92mm Male Open Calibration Kit Component for Precision Up to 40 GHz	DWG NO FMSC3028		CAGE CODE 3FKR5		
	CAD FILE 02/08/18	SHEET	SCALE N/A	SIZE A	CN2245