

Type N Female Open Calibration Kit Component for Precision Up to 18 GHz

N female open calibration kit component, part number FMSC3038, from Fairview Microwave is in-stock and ships same day. This N precision open circuit can be used for calibration of most vector network analyzers (VNA), cable analyzers or site analyzers. Coefficients for this N open calibrating component are provided in the datasheet. These can be entered into most VNAs to provide the necessary corrections, thereby allowing replacement of misplaced or damaged calibration components. Precision control of the impedance and electrical length allow for OSLT analyzer calibrations over the complete frequency range of the connector interface provided.

Fairview's N open circuit calibration component FMSC3038 datasheet specifications and outline drawing are shown in this PDF below. Our extensive offering for RF, microwave and millimeter wave components allows designers to configure and customize their test solutions however they like. From calibration kit replacement to SOLT / OSLT VNA calibration, Fairview Microwave has the right calibration kit components to meet your needs and ship them same-day.



Features:

- Controlled Impedance
- Published Calibration Coefficients
- Replaces Damaged Calibrating Kit Components
- Controlled Electrical Length
- Precision Interfaces
- In Stock and Ready to Ship

Electrical Specifications

Description	Min	Typ	Max	Units
Frequency Range	DC		18	GHz
Impedance		50		Ohms
Phase Accuracy			±2	deg
Offset Loss		0.7		GOhm/s
Electrical Delay		19.42		ps
Capacitance				
C0		103		10 ⁻¹⁵ F
C1		0		10 ⁻²⁷ F/Hz
C2		-110		10 ⁻³⁶ F/Hz ²
C3		10.2		10 ⁻⁴⁵ F/Hz ³

Applications:

- SOLT or OSLT Calibration
- VNA Calibration
- Device Characterization
- De-embedding
- Replacement Calibration Kits

Mechanical Specifications

Pin Depth 0.2055 to 0.2065 in

Connector 1

Connector Type N Female
 Body Material and Plating Beryllium Copper, Gold

Connector 2

Environmental Specifications

Compliance Certifications (see [product page](#) for current document)

Plotted and Other Data

- Notes:
- Values at +25 °C, sea level

Fairview Microwave
 301 Leora Ln., Suite 100
 Lewisville, TX 75056
 Tel: 1-800-715-4396 / (972) 649-6678
 Fax: (972) 649-6689
www.fairviewmicrowave.com
sales@fairviewmicrowave.com

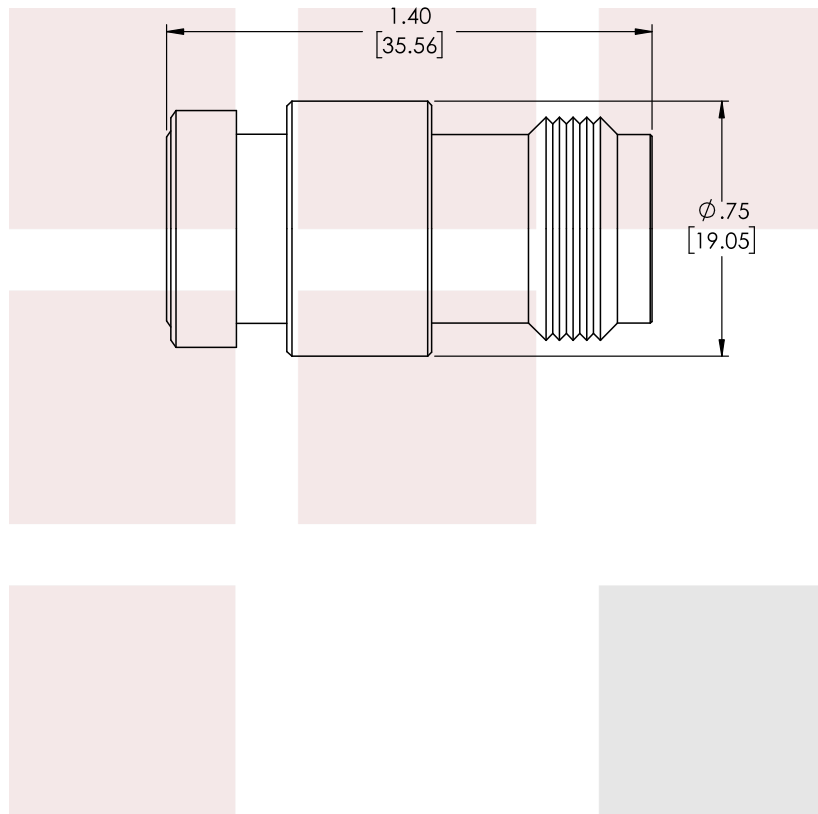
Type N Female Open Calibration Kit Component for Precision Up to 18 GHz from Fairview Microwave is in-stock and available to ship same-day. All of our RF/microwave products are available off-the-shelf from our ISO 9001:2008 certified facilities in Allen, Texas. Fairview Microwave is RF on-demand.

For additional information on this product, please click the following link: [Type N Female Open Calibration Kit Component for Precision Up to 18 GHz FMSC3038](#)

URL: <https://www.fairviewmicrowave.com/type-n-female-calibration-kit-component-open-18-ghz-fm3038-p.aspx>

The information contained in this document is accurate to the best of our knowledge and representative of the part described herein. It may be necessary to make modifications to the part and/or the documentation of the part, in order to implement improvements. Fairview Microwave reserves the right to make such changes as required. Unless otherwise stated, all specifications are nominal. Fairview Microwave does not make any representation or warranty regarding the suitability of the part described herein for any particular purpose, and Fairview Microwave does not assume any liability arising out of the use of any part or documentation.





STANDARD TOLERANCES

.X ±0.2
 .XX ±0.01
 .XXX ±0.005

*STANDARD TOLERANCES APPLY
 ONLY TO DIMENSIONS IN INCHES

FAIRVIEW MICROWAVE INC.

ALLEN, TX 75013 WWW.FAIRVIEWMICROWAVE.COM

NOTES:

1. UNLESS OTHERWISE SPECIFIED ALL DIMENSIONS ARE NOMINAL.
2. ALL SPECIFICATIONS ARE SUBJECT TO CHANGE WITHOUT NOTICE AT ANY TIME.
3. DIMENSIONS ARE IN INCHES [mm].

TITLE
 Type N Female Open Calibration Kit Component for
 Precision Up to 18 GHz

DWG NO
 FMSC3038

CAGE CODE
 3FKR5

CAD FILE 02/09/18

SHEET

SCALE N/A

SIZE A

CN2245