

Type N F/F In/Out Bulkhead Coaxial RF Surge Protector, DC - 7GHz, DC Pass, 90W, IP67, 20kA, Gas Discharge Tube

RF surge protector (also known as lightning arrester) FMSP1038 from Fairview Microwave utilizing a proprietary gas tube surge protection technology protects critical hardware from lightening events while maintaining the RF performance. This RF surge protector component is manufactured in a coaxial in-line design with wide operating frequency range. All Fairview Microwave RF surge protector products are available in stock with same day shipping.

Electrical Specifications

Surge Protector Type Gas Discharge Tube
DC Handling DC Pass

Description	Min	Typ	Max	Units
Frequency Range	DC		7	GHz
Impedance		50		Ohms
VSWR		1.4:1		
Return Loss		15		dB
Insertion Loss		0.35		dB
Input Power, CW 90W @ 30MHz 9W @ 3GHz			90	Watts
Surge Current IEC 61000-4-5 8/20µs WAVEFORM			20	kA
Turn On Voltage		300		Volts

Specifications by Frequency

Description	F1	F2	F3	F4	F5	Units
Frequency Range	DC to 3	3 to 4	4 to 6.5	6.5 to 7		GHz
VSWR, Max	1.1:1	1.2:1	1.4:1	1.6:1		
IL, Max	0.1	0.25	0.35	0.6		dB

Mechanical Specifications

Configuration

Input Connector N Female
Output Connector N Female

Environmental Specifications

Temperature

Operating Range -55 to 85 deg C

Ingress Protection (IP) Rating IP 67



Features:

- Surge current of 20kA
- Max Power 90W(RMS)
- Frequency range from DC to 7GHz
- N-type female connectors
- Waterproof IP67 rated
- DC Pass
- VSWR 1.4 typ
- CE & RoHS compliant
- Bi-Directional

Applications:

- WiFi
- GPS
- Land mobile radio

Fairview Microwave
301 Leora Ln., Suite 100
Lewisville, TX 75056
Tel: 1-800-715-4396 / (972) 649-6678
Fax: (972) 649-6689
www.fairviewmicrowave.com
sales@fairviewmicrowave.com

Compliance Certifications (see [product page](#) for current document)

Plotted and Other Data

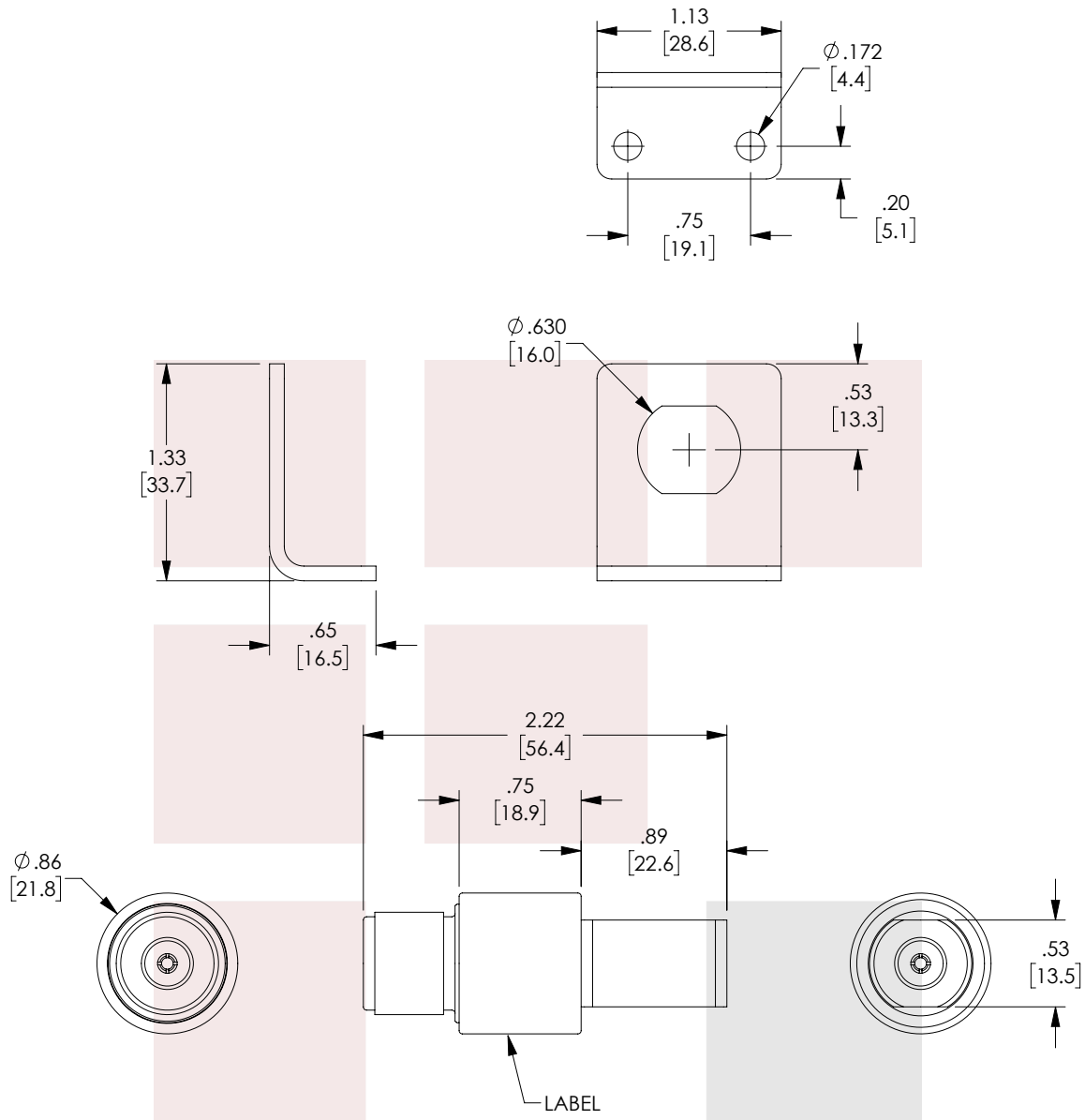
Notes:

Type N F/F In/Out Bulkhead Coaxial RF Surge Protector, DC - 7GHz, DC Pass, 90W, IP67, 20kA, Gas Discharge Tube from Fairview Microwave is in-stock and available to ship same-day. All of our RF/microwave products are available off-the-shelf from our ISO 9001:2008 certified facilities in Allen, Texas. Fairview Microwave is RF on-demand.

For additional information on this product, please click the following link: [Type N F/F In/Out Bulkhead Coaxial RF Surge Protector, DC - 7GHz, DC Pass, 90W, IP67, 20kA, Gas Discharge Tube FMSP1038](#)

URL: <https://www.fairviewmicrowave.com/type-n-surge-protector-7ghz-4ghz-gas-discharge-tube-fmsp1038-p.aspx>

The information contained in this document is accurate to the best of our knowledge and representative of the part described herein. It may be necessary to make modifications to the part and/or the documentation of the part, in order to implement improvements. Fairview Microwave reserves the right to make such changes as required. Unless otherwise stated, all specifications are nominal. Fairview Microwave does not make any representation or warranty regarding the suitability of the part described herein for any particular purpose, and Fairview Microwave does not assume any liability arising out of the use of any part or documentation.



STANDARD TOLERANCES	
.X	±0.2
.XX	±0.01
.XXX	±0.005

*STANDARD TOLERANCES APPLY ONLY TO DIMENSIONS IN INCHES

NOTES:

BRACKET AND HARDWARE INCLUDED.

REGULATORY COMPLIANCE:

CE2011/65/EU(RoHS DIRECTIVE)

<p>Fairview Microwave RF COMPONENTS ON DEMAND. <i>Done!</i></p>	<p>NOTES: 1. UNLESS OTHERWISE SPECIFIED ALL DIMENSIONS ARE NOMINAL. 2. ALL SPECIFICATIONS ARE SUBJECT TO CHANGE WITHOUT NOTICE AT ANY TIME. 3. DIMENSIONS ARE IN INCHES [mm].</p>							
	<p>TITLE Type N F/F In/Out Bulkhead Coaxial RF Surge Protector, DC - 7GHz, DC Pass, 90W, IP67, 20kA, Gas Discharge Tube</p>				<p>DWG NO FMSP1038</p>		<p>CAGE CODE 3FKR5</p>	
	<p>CAD FILE 3/2/18</p>	<p>SHEET 1 OF 1</p>	<p>SCALE N/A</p>	<p>SIZE A</p>	<p>XXXX</p>			