

## Quarter Wave Stub RF Surge Protector, Type N M/F, Low PIM, 800 - 2,250MHz

RF surge protector (also known as lightning arrestor) FMSP1066 from Fairview Microwave utilizing a quarter wave stub design to protect critical hardware while maintaining the RF performance. This RF surge protector component is manufactured in a coaxial in-line design with wide operating frequency range. Fairview Microwave's RF surge protector products are available in stock with same day shipping.

### Electrical Specifications

Surge Protector Type		Quarter Wave Stub		
Description	Min	Typ	Max	Units
Frequency Range	0.8		2.25	GHz
Impedance		50		Ohms
VSWR			1.2:1	
Insertion Loss			0.2	dB
Passive Intermodulation			-150	dBc

### Mechanical Specifications

Size	
Length	3.21 in [81.53 mm]
Width/Diameter	3.1 in [78.74 mm]
Height	1 in [25.4 mm]
Weight	0.6 lbs [272.16 g]
Housing Material and Plating	Brass, Tri-Metal

#### Configuration

Input Connector	N Male
Output Connector	N Female

### Environmental Specifications

Temperature	
Operating Range	-40 to +85 deg C

**Compliance Certifications** (see [product page](#) for current document)

### Plotted and Other Data

Notes:



### Features:

- Broadband Performance from 800 to 2,250 MHz
- DC Block Topology
- Bi-directional, Repetitive Strike Protection
- Low PIM

### Applications:

- Cellular
- Distributed Antenna Systems (DAS)
- Emergency Response Systems
- Public Safety Systems

Fairview Microwave  
301 Leora Ln., Suite 100  
Lewisville, TX 75056  
Tel: 1-800-715-4396 / (972) 649-6678  
Fax: (972) 649-6689  
[www.fairviewmicrowave.com](http://www.fairviewmicrowave.com)  
[sales@fairviewmicrowave.com](mailto:sales@fairviewmicrowave.com)

Quarter Wave Stub RF Surge Protector, Type N M/F, Low PIM, 800 - 2,250MHz from Fairview Microwave is in-stock and available to ship same-day. All of our RF/microwave products are available off-the-shelf from our ISO 9001:2008 certified facilities in Lewisville, Texas. Fairview Microwave is RF on-demand.

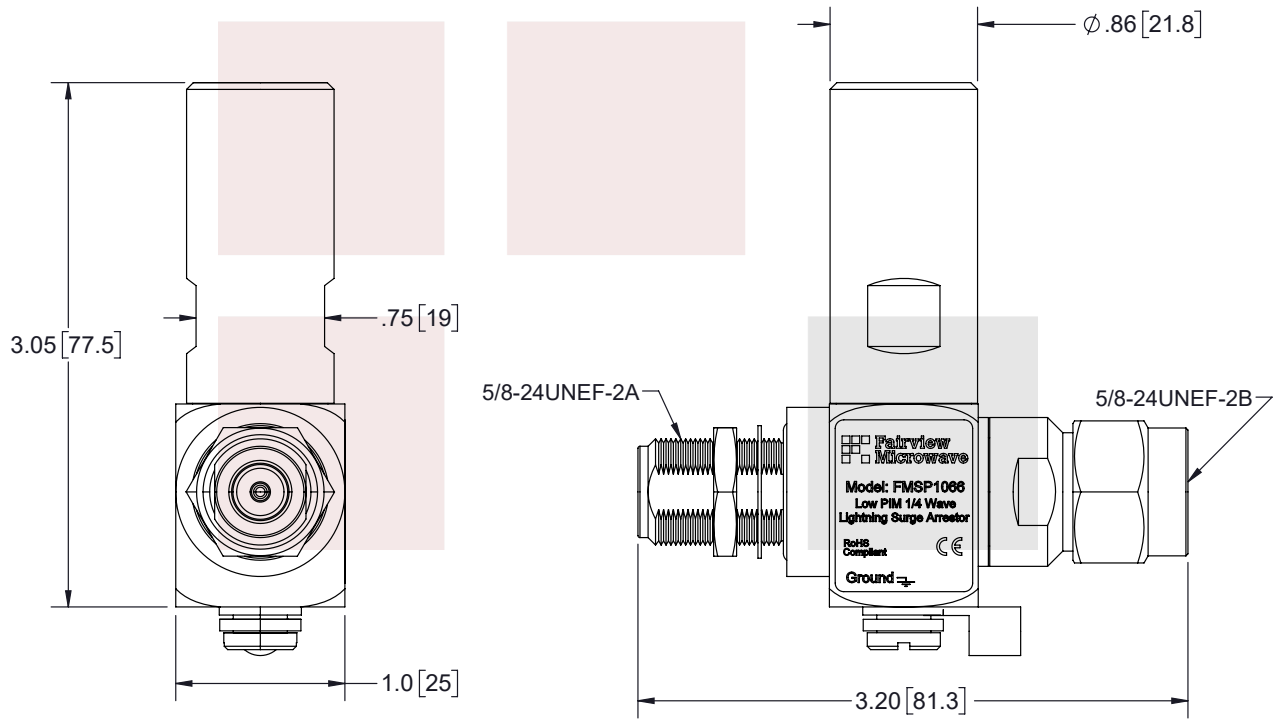
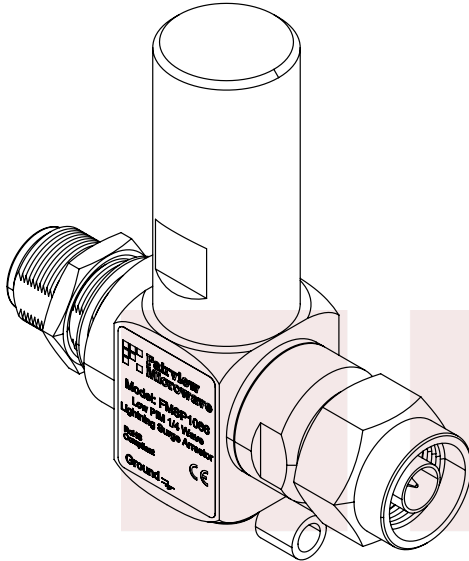
For additional information on this product, please click the following link: [Quarter Wave Stub RF Surge Protector, Type N M/F, Low PIM, 800 - 2,250MHz FMSP1066](#)

URL: <https://www.fairviewmicrowave.com/type-n-surge-protector-2.25ghz-quarter-wave-stub-fmsp1066-p.aspx>

The information contained in this document is accurate to the best of our knowledge and representative of the part described herein. It may be necessary to make modifications to the part and/or the documentation of the part, in order to implement improvements. Fairview Microwave reserves the right to make such changes as required. Unless otherwise stated, all specifications are nominal. Fairview Microwave does not make any representation or warranty regarding the suitability of the part described herein for any particular purpose, and Fairview Microwave does not assume any liability arising out of the use of any part or documentation.



REVISIONS				
REV.	DESCRIPTION	ECN	DATE	APPROVED
A	PRODUCTION RELEASE		4/28/20	DWR



THESE COMMODITIES, TECHNOLOGY OR SOFTWARE WERE EXPORTED FROM THE UNITED STATES IN ACCORDANCE WITH THE EXPORT ADMINISTRATION REGULATIONS. DIVERSION CONTRARY TO U.S. LAW PROHIBITED.

TITLE

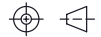
Quarter Wave Stub RF Surge Protector, Type N M/F,  
Low PIM, 800 - 2,250MHz

UNLESS OTHERWISE SPECIFIED LEADING DIMENSIONS ARE INCHES  
DIMENSIONS IN [ ] ARE MILLIMETERS

TOLERANCES: CABLE LENGTH (L) TOLERANCES:

.X = ± .2 [ .508 ]	FRACTIONS ± 1/32	L ≤ 12 [305] = +1 [25] / -0
.XX = ± .02 [ .51 ]	ANGLES ± 1°	12 [305] < L ≤ 60 [1524] = +2 [51] / -0
.XXX = ± .005 [ .13 ]		60 [1524] < L ≤ 120 [3048] = +4 [102] / -0
		120 [3048] < L ≤ 300 [7620] = +6 [152] / -0
		300 [7620] < L = +5%L / -0

THIRD-ANGLE PROJECTION



THE INFORMATION AND DESIGN IN THIS DOCUMENT IS THE PROPERTY OF FAIRVIEW MICROWAVE CORPORATION. ALL RIGHTS RESERVED.

SHEET 1 OF 1

ALL DIMENSIONS SHOWN ARE FOR REFERENCE ONLY.

SCALE 1:1

SIZE A	CAGE CODE 3FKR5	DRAWN BY DPM	ITEM NO. FMSP1066	REV A
-----------	--------------------	-----------------	----------------------	----------

T-Rev.D