

Reverse Polarity SMA F/M In/Out Bulkhead Coaxial RF Surge Protector, DC - 5.8GHz, 60 V Max., 10kA, Gas Discharge Tube

RF surge protector (also known as lightning arrestor) FMSP1069 from Fairview Microwave utilizing a gas discharge tube design to protect critical hardware while maintaining the RF performance. This RF surge protector component is manufactured in a coaxial in-line design with wide operating frequency range. Fairview Microwave RF surge protector products are available in stock with same day shipping.

Electrical Specifications

Description	Gas Discharge Tube			Units
	Min	Typ	Max	
Surge Protector Type	Gas Discharge Tube			
Frequency Range	DC		5.8	GHz
Impedance		50		Ohms
VSWR			1.5:1	
Insertion Loss			0.6	dB
Operating Voltage (DC)			60	Volts
Surge Current			10	kA
Turn On Voltage		90		Volts

Mechanical Specifications

Size	
Length	2.1 in [53.34 mm]
Width/Diameter	0.9 in [22.86 mm]
Height	1.2 in [30.48 mm]
Weight	0.25 lbs [113.4 g]
Housing Material and Plating	Brass, Tri-Metal
Configuration	
Input Connector	SMA Female Reverse Polarity
Output Connector	SMA Male Reverse Polarity

Environmental Specifications

Temperature	
Operating Range	-40 to +85 deg C

Compliance Certifications (see [product page](#) for current document)

Plotted and Other Data

Notes:



Features:

- Broadband Performance from DC to 5.8GHz
- Repetitive Lightning Strike Capability
- Bi-directional Protection
- Replaceable Gas Tube for Installation Longevity
- Robust Brass Construction

Applications:

- Cellular
- Land Mobile Radio, VHF/UHF
- Wireless LAN
- Wireless Cable (MMDS)
- GPS

Fairview Microwave
 301 Leora Ln., Suite 100
 Lewisville, TX 75056
 Tel: 1-800-715-4396 / (972) 649-6678
 Fax: (972) 649-6689
www.fairviewmicrowave.com
sales@fairviewmicrowave.com

Reverse Polarity SMA F/M In/Out Bulkhead Coaxial RF Surge Protector, DC - 5.8GHz, 60 V Max., 10kA, Gas Discharge Tube from Fairview Microwave is in-stock and available to ship same-day. All of our RF/microwave products are available off-the-shelf from our ISO 9001:2008 certified facilities in Lewisville, Texas. Fairview Microwave is RF on-demand.

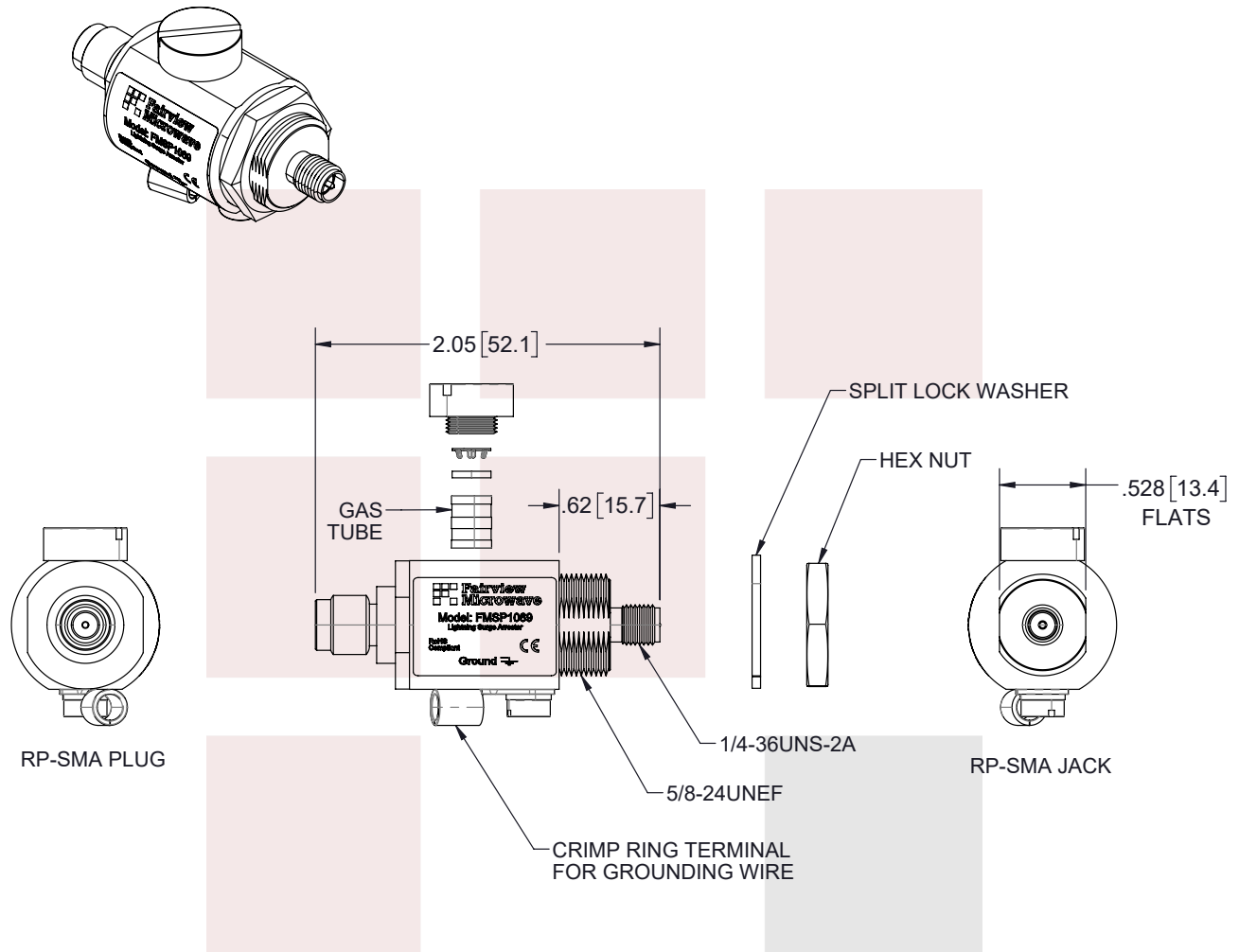
For additional information on this product, please click the following link: [Reverse Polarity SMA F/M In/Out Bulkhead Coaxial RF Surge Protector, DC - 5.8GHz, 60 V Max., 10kA, Gas Discharge Tube FMSP1069](#)

URL: <https://www.fairviewmicrowave.com/sma-surge-protector-5.8ghz-gas-discharge-tube-fmsp1069-p.aspx>

The information contained in this document is accurate to the best of our knowledge and representative of the part described herein. It may be necessary to make modifications to the part and/or the documentation of the part, in order to implement improvements. Fairview Microwave reserves the right to make such changes as required. Unless otherwise stated, all specifications are nominal. Fairview Microwave does not make any representation or warranty regarding the suitability of the part described herein for any particular purpose, and Fairview Microwave does not assume any liability arising out of the use of any part or documentation.



REVISIONS				
REV.	DESCRIPTION	ECN	DATE	APPROVED
A	PRODUCTION RELEASE		4/28/20	DWR



THESE COMMODITIES, TECHNOLOGY OR SOFTWARE WERE EXPORTED FROM THE UNITED STATES IN ACCORDANCE WITH THE EXPORT ADMINISTRATION REGULATIONS. DIVERSION CONTRARY TO U.S. LAW PROHIBITED.

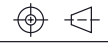
TITLE
Reverse Polarity SMA F/M In/Out Bulkhead Coaxial RF Surge Protector, DC - 5.8GHz, 60 V Max., 10kA, Gas Discharge Tube

UNLESS OTHERWISE SPECIFIED LEADING DIMENSIONS ARE INCHES
DIMENSIONS IN [] ARE MILLIMETERS

TOLERANCES: CABLE LENGTH (L) TOLERANCES:

.X = ±.2 [5.08]	FRACTIONS	L ≤ 12 [305] = +1 [25] / -0
.XX = ±.02 [.51]	± 1/32	12 [305] < L ≤ 60 [1524] = +2 [51] / -0
.XXX = ±.005 [.13]	ANGLES ± 1°	60 [1524] < L ≤ 120 [3048] = +4 [102] / -0
		120 [3048] < L ≤ 300 [7620] = +6 [152] / -0
		300 [7620] < L = +5%L / -0

THIRD-ANGLE PROJECTION



THE INFORMATION AND DESIGN IN THIS DOCUMENT IS THE PROPERTY OF FAIRVIEW MICROWAVE CORPORATION. ALL RIGHTS RESERVED.

SHEET 1 OF 1

ALL DIMENSIONS SHOWN ARE FOR REFERENCE ONLY.

SCALE 1:1

SIZE A	CAGE CODE 3FKR5	DRAWN BY DPM	ITEM NO. FMSP1069	REV A
-----------	--------------------	-----------------	----------------------	----------

T-Rev.D