

N Reflective SPDT GaN High Power PIN Diode Switch from 500 MHz to 6 GHz Rated at 100 Watts 100ns Speed

The FMSW1103 is a high power Reflective SPDT PIN Diode Switch that operates from 500 MHz to 6 GHz. The module utilizes Gallium Nitride (GaN) and chip-and-wire technology in the manufacturing process that ensures state-of-the-art power performance with excellent power-to-volume ratio that's ideal for broadband high power applications. The 50 ohm reflective design has impressive RF input power handling capability for cold switching up to +50 dBm, and incorporates TTL compatible driver circuitry for accurate logic control. Typical performance includes 1.2 dB insertion loss, 45 dB isolation, 1.2:1 VSWR, and 100 nsec switching speed. Operational temperature range is -45°C to +85°C and the bias voltage requirement is +5Vdc. The rugged and compact package supports N female connectors and is designed to meet a series of environmental conditions including Altitude, Vibration, Humidity, and Shock. Model FMSW1108 is the same switch design but includes an integrated heatsink.

Electrical Specifications

TTL Control Logic

Off/Isolation: 0 to 0.8 V
On/Low Loss: 2.8 to 5 V

Description	Min	Typ	Max	Units
Frequency Range	0.5		6	GHz
Impedance		50		Ohms
VSWR		1.2:1	1.6:1	
Insertion Loss		1.2	1.5	dB
IL Temp. Coefficient		0.003		dB/degC
Isolation	35	45		dB
Switching Time		100	250	ns
P0.1dB		50	dBm	
Input IP3		55		dBm
Input Power (CW)			100	Watts
DC Power Dissipation		0.5		Watt
Positive Operating Voltage		5		Vdc
Current @ 5 Vdc		100		mA
Operating Temperature	-45		+85	deg C

Performance by Frequency

Description	F1	F2	F3	F4	F5	Units
Frequency Range	0.5 to 3	3 to 6				GHz
VSWR, Max	1.6:1	1.6:1				
VSWR, Typ	1.4:1	1.4:1				
Insertion Loss, Max	1.3	1.5				dB
Insertion Loss, Typ	1.1	1.3				dB
Isolation, Min	40	35				dB
Isolation, Typ	48	38				dB

Electrical Specification Notes:

Internal TTL Driver will become damaged if Negative Voltage is applied



Features:

- Reflective SPDT High Power PIN Diode Switch
- GaN Semiconductor Technology
- Reflective Design
- Frequency Range: 500 MHz to 18 GHz
- Insertion Loss: 1.2 dB typ
- Isolation: 45 dB typ
- VSWR: 1.2:1 typ
- Maximum RF Input Power: +50 dBm
- Input IP3: 55 dBm typ
- Switching Speed: 100 nsec typ
- TTL Compatible Driver Circuitry
- 50 Ohm Design
- N Female Connectors
- Compact Package Design withstands up to 95% Relative Humidity
- -45°C to +85°C Operating Temperature

Applications:

- Aerospace & Defense
- Microwave Radio
- Military & Commercial Communication
- VSAT
- SATCOM
- Test & Measurement
- Wireless Infrastructure
- Fiber Optics

Fairview Microwave
301 Leora Ln., Suite 100
Lewisville, TX 75056
Tel: 1-800-715-4396 / (972) 649-6678
Fax: (972) 649-6689
www.fairviewmicrowave.com
sales@fairviewmicrowave.com

*Cold Switching: Before changing any TTL signal(s), the RF input power must be blanked or the switch could become damaged

Absolute Maximum Rating

Parameter	Rating
Biasing	+5V±10%
TTL Control Voltage	0~0.8V/2.8~5V



ESD Sensitive Material,
Transport material in
Approved ESD bags.
Handle only in approved
ESD Workstation.

Mechanical Specifications

Length	1.46 in [37.08 mm]
Width	1.26 in [32 mm]
Height	0.75 in [19.05 mm]
Weight	0.47 lbs [213.19 g]
Design	Reflective, SPDT
RF Connector	N Female

Environmental Specifications

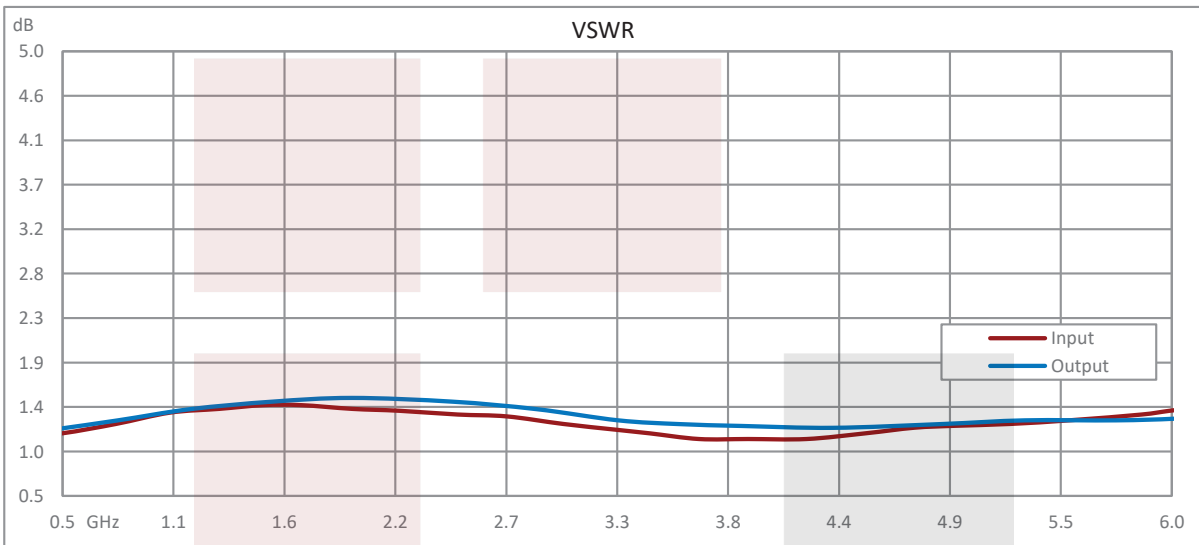
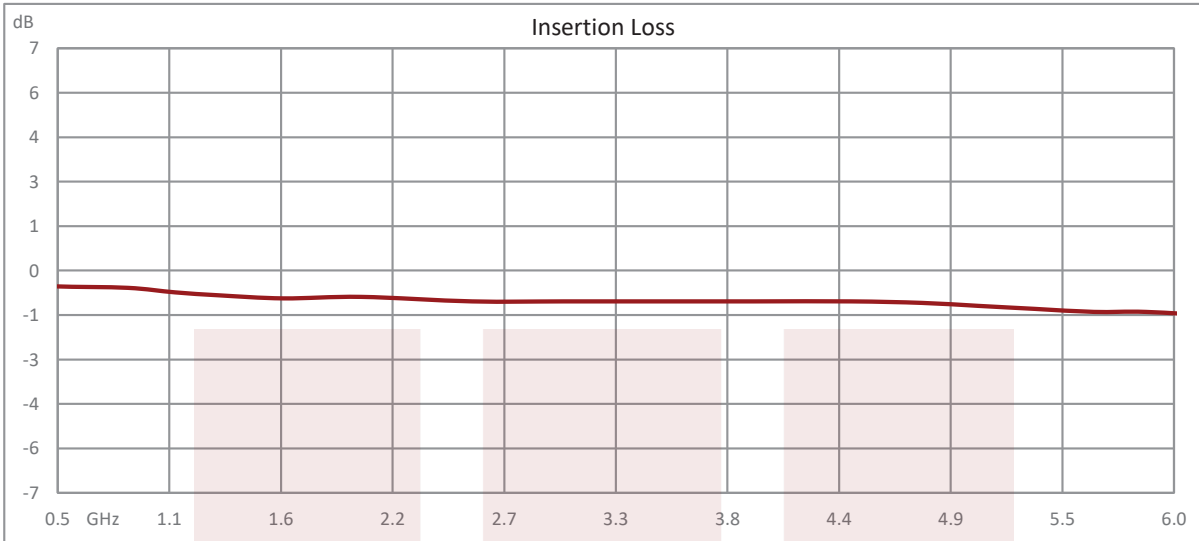
Temperature	
Operating Range	-45 to +85 deg C
Storage Range	-55 to +125 deg C
Humidity	100% RH @ 35°C, 95% RH @ 40°C
Shock	20G for 11ms Half Sinewave, 3 axis both directions
Vibration	25g RMS (15° 2KHz) endurance, 1 hr per axis
Altitude	30,000 ft. (Epoxy Sealed Controlled Environment)

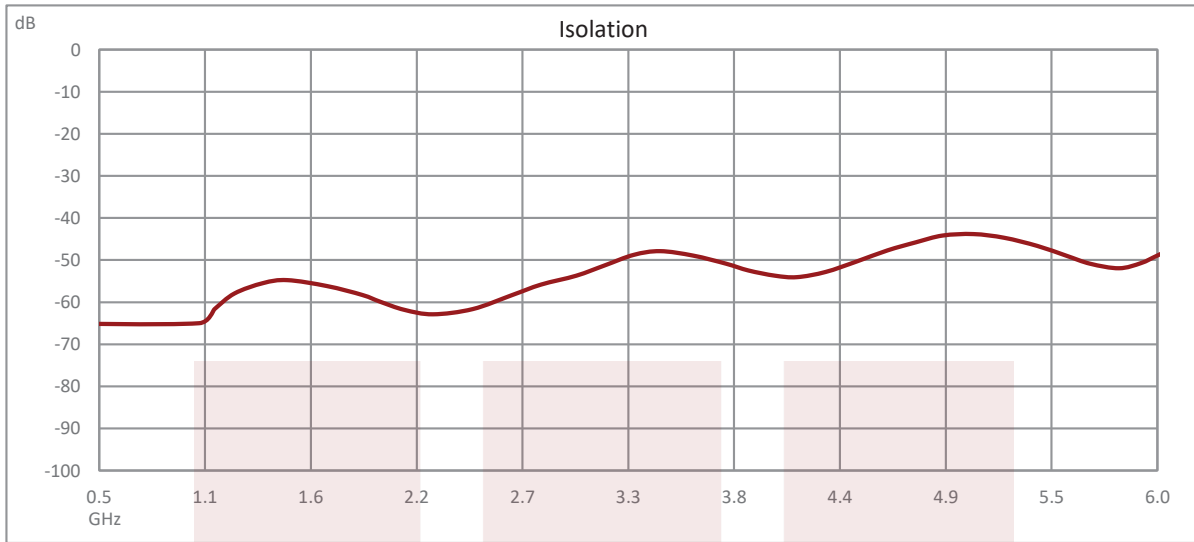
Compliance Certifications (see [product page](#) for current document)

Plotted and Other Data

Notes:

Typical Performance Data





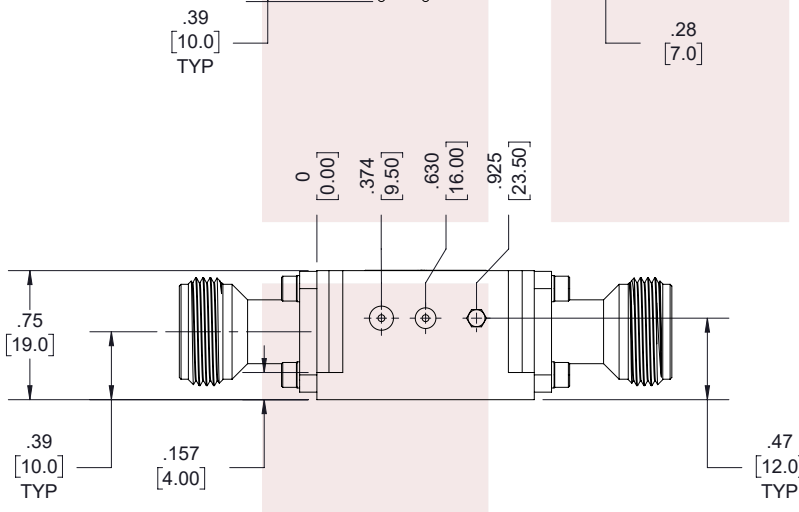
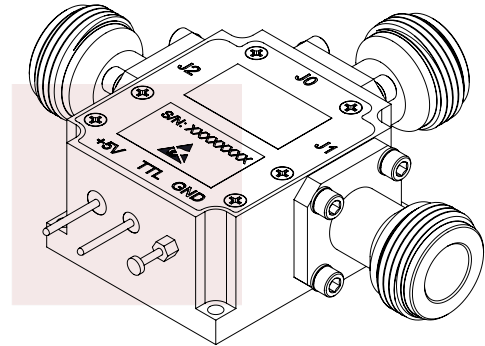
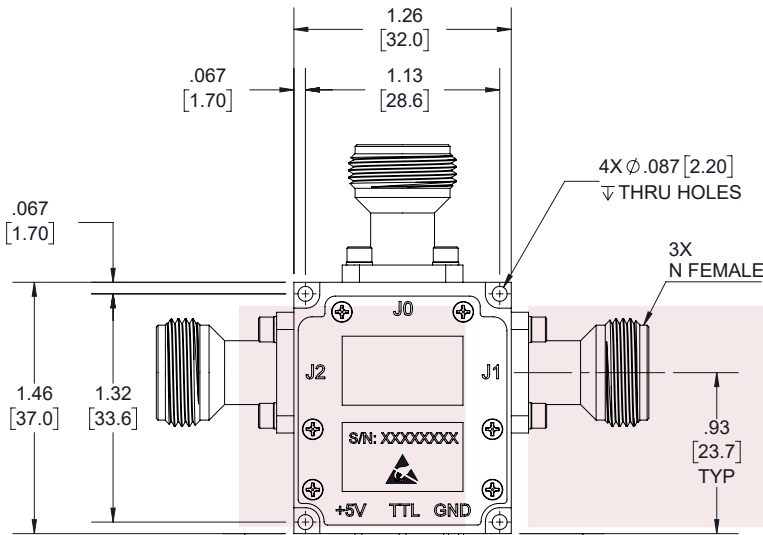
N Reflective SPDT GaN High Power PIN Diode Switch from 500 MHz to 6 GHz Rated at 100 Watts 100ns Speed from Fairview Microwave is in-stock and available to ship same-day. All of our RF/microwave products are available off-the-shelf from our ISO 9001:2008 certified facilities in Lewisville, Texas. Fairview Microwave is RF on-demand.

For additional information on this product, please click the following link: [N Reflective SPDT GaN High Power PIN Diode Switch from 500 MHz to 6 GHz Rated at 100 Watts 100ns Speed FMSW1103](#)

URL: <https://www.fairviewmicrowave.com/n-spdt-pin-diode-switch-6-ghz-100-watts-fmsw1103-p.aspx>

The information contained in this document is accurate to the best of our knowledge and representative of the part described herein. It may be necessary to make modifications to the part and/or the documentation of the part, in order to implement improvements. Fairview Microwave reserves the right to make such changes as required. Unless otherwise stated, all specifications are nominal. Fairview Microwave does not make any representation or warranty regarding the suitability of the part described herein for any particular purpose, and Fairview Microwave does not assume any liability arising out of the use of any part or documentation.

REVISIONS			
REV.	DESCRIPTION	DATE	APPROVED
A	INITIAL RELEASE	8/17/2020	T.GALLA



Truth Table	
Control Input TTL	Signal Path State
1	J0-J1
0	J0-J2

LABEL



THESE COMMODITIES, TECHNOLOGY OR SOFTWARE WERE EXPORTED FROM THE UNITED STATES IN ACCORDANCE WITH THE EXPORT ADMINISTRATION REGULATIONS. DIVERSION CONTRARY TO U.S. LAW PROHIBITED.



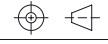
TITLE
N Reflective SPDT GaN High Power PIN Diode Switch from 500 MHz to 6 GHz Rated at 100 Watts 100ns Speed

UNLESS OTHERWISE SPECIFIED LEADING DIMENSIONS ARE INCHES
DIMENSIONS IN [] ARE MILLIMETERS

TOLERANCES: CABLE LENGTH (L) TOLERANCES:

.X = ±.2 [5.08]	FRACTIONS	L ≤ 12 [305] = +1 [25] / -0
.XX = ±.02 [.51]	± 1/32	12 [305] < L ≤ 60 [1524] = +2 [51] / -0
.XXX = ±.005 [.13]	ANGLES ± 1°	60 [1524] < L ≤ 120 [3048] = +4 [102] / -0
		120 [3048] < L ≤ 300 [7620] = +6 [152] / -0
		300 [7620] < L = +5%L / -0

THIRD-ANGLE PROJECTION



THE INFORMATION AND DESIGN IN THIS DOCUMENT IS THE PROPERTY OF FAIRVIEW MICROWAVE CORPORATION. ALL RIGHTS RESERVED.

SHEET 1 OF 1

ALL DIMENSIONS SHOWN ARE FOR REFERENCE ONLY.

SCALE N/A

SIZE A	CAGE CODE 3FKR5	DRAWN BY K.DANG	ITEM NO. FMSW1103	REV A
-----------	--------------------	--------------------	----------------------	----------

T-Rev.D