

SMA PIN Diode Switch SPST From 1 GHz to 18 GHz Rated at +20 dBm

FMSW6264 is a SPST Reflective Switch designed to operate over the 1.0 GHz to 18.0 GHz Frequency Range. The switch is designed to maintain low insertion loss, high isolation, and fast switching speed.

Electrical Specifications

Description	Min	Typ	Max	Units
Frequency Range	1		18	GHz
Impedance		50		Ohms
Insertion Loss		2.5		dB
Isolation	65			dB
Switching Time			50	ns
Input Power (CW)			0.1	Watts
Survival Power			1	Watts
Positive Operating Voltage		5		V
Negative Operating Voltage		-15		V
Current @ 5 V		20		mA
Current @ -15 V		20		mA
Operating Temperature	-55		+85	deg C

Mechanical Specifications

Length	1 in [25.4 mm]
Width	1 in [25.4 mm]
Height	0.5 in [12.7 mm]
Finish	Blue

Configuration

Package Type	Connectorized Module
Design	SPST, Reflective
RF Connector	SMA Female
Control Connector	Pin

Environmental Specifications

Temperature

Operating Range	-55 to +85 deg C
Storage Range	-65 to +125 deg C

Humidity MIL-STD-202F, Method 103B, Condition B

Shock MIL-STD-202F, Method 213B, Condition B

Vibration MIL-STD-202F, Method 204D, Condition B

Altitude MIL-STD-202F, Method 105C, Condition B

Temperature Cycling MIL-STD-202F, Method 107D, Condition A



Features:

- SPST Reflective Switch
- 1.0 GHz to 18.0 GHz
- Insertion Loss 2.5 dB typ
- Isolation 65 dB min
- Power Input 20 dBm CW max

Applications:

- Test & Measurement
- Military Communication
- Commercial Communication

Fairview Microwave
 1130 Junction Dr. #100
 Allen, TX 75013
 Tel: 1-800-715-4396 / (972) 649-6678
 Fax: (972) 649-6689
www.fairviewmicrowave.com
sales@fairviewmicrowave.com

ESD Sensitivity

ESD Sensitive Material, Transport material in Approved ESD bags. Handle only in ESD Workstation.

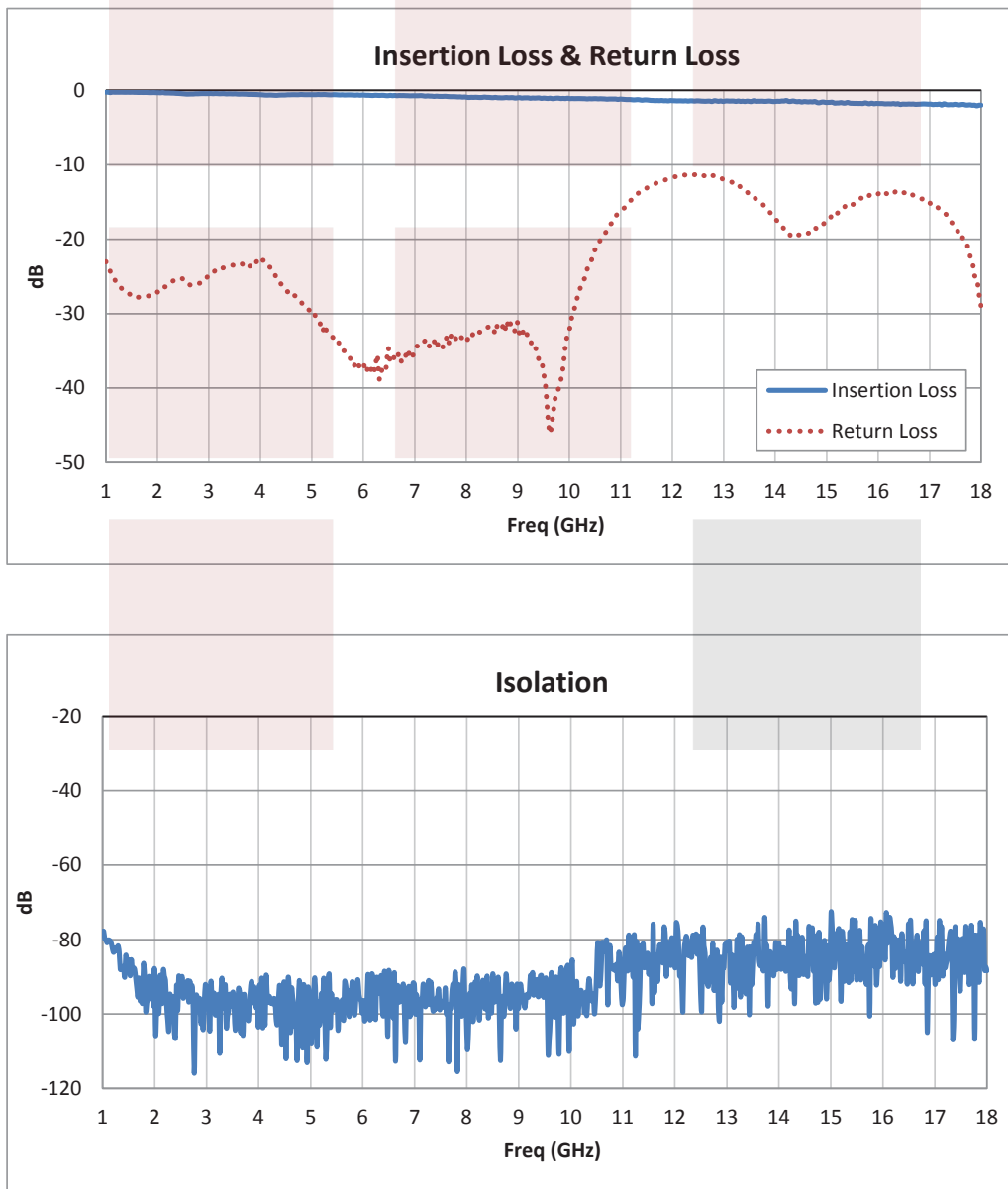


Compliance Certifications (visit www.FairviewMicrowave.com for current document)
 REACH Compliant 12/17/2015

Plotted and Other Data

Notes:

Typical Performance Data

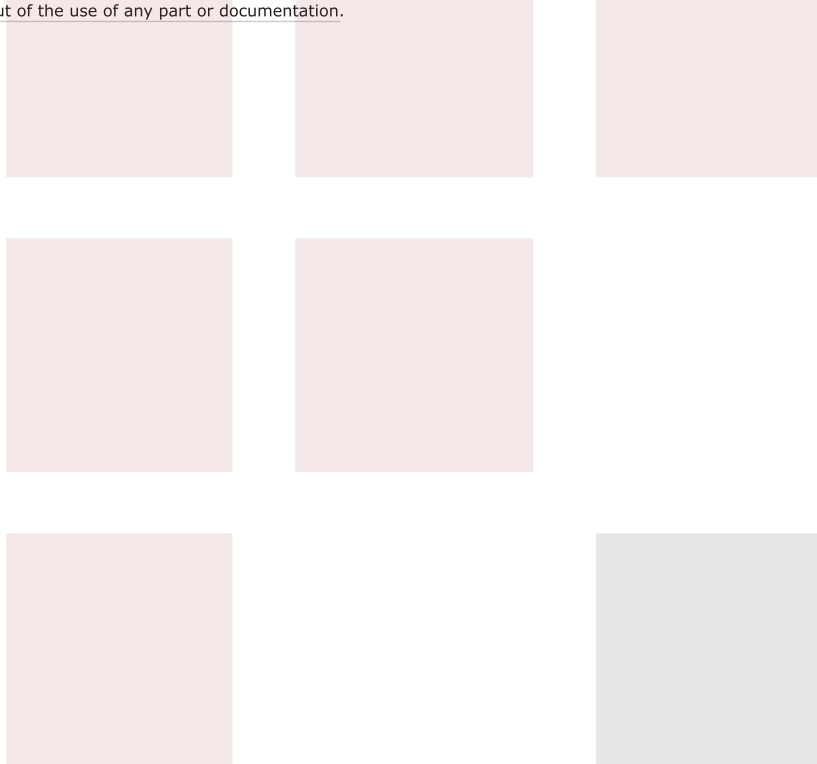


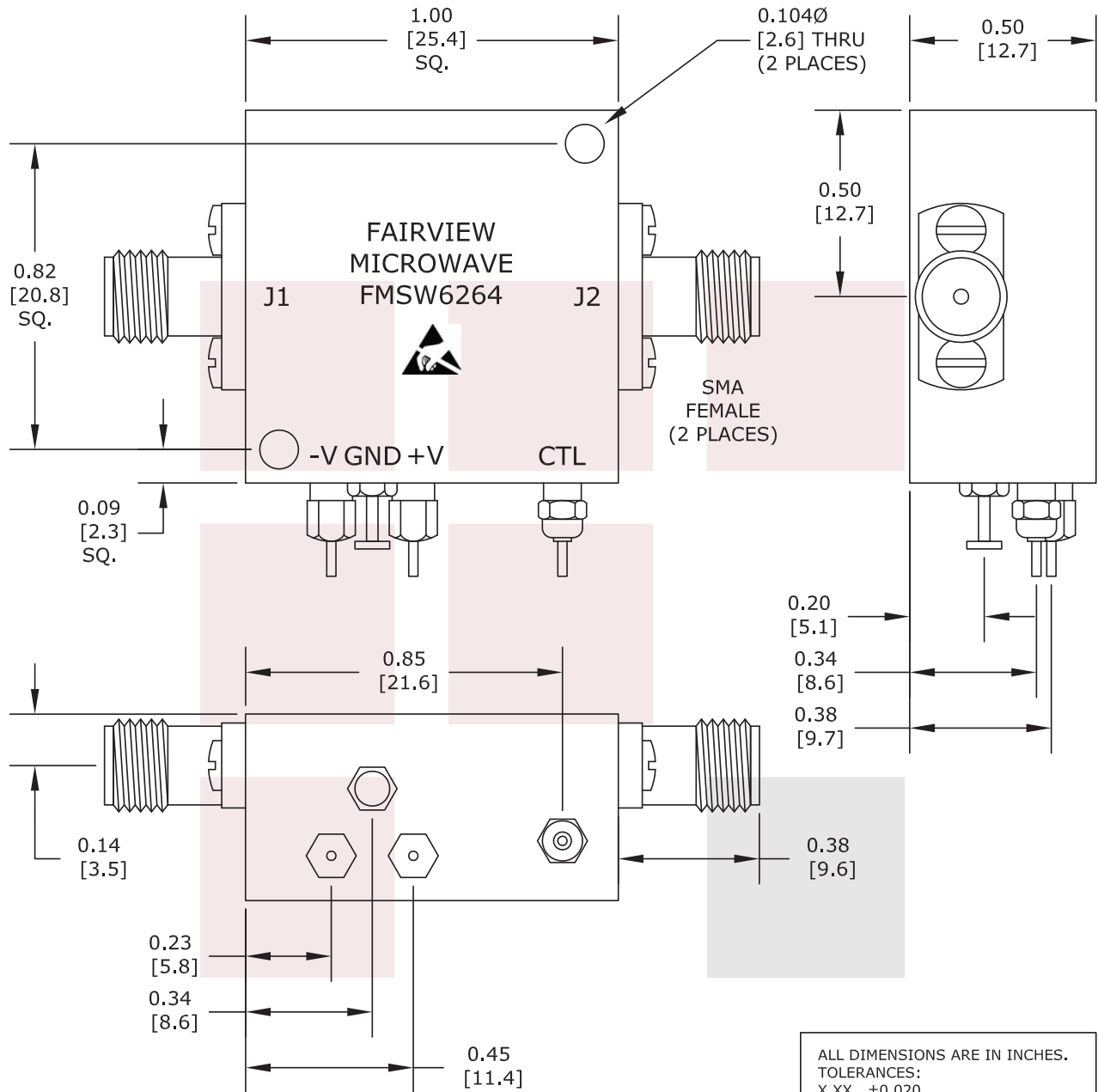
SMA PIN Diode Switch SPST From 1 GHz to 18 GHz Rated at +20 dBm from Fairview Microwave is in-stock and available to ship same-day. All of our RF/microwave products are available off-the-shelf from our ISO 9001:2008 certified facilities in Allen, Texas. Fairview Microwave is RF on-demand.

For additional information on this product, please click the following link: [SMA PIN Diode Switch SPST From 1 GHz to 18 GHz Rated at +20 dBm FMSW6264](#)

URL: <http://www.fairviewmicrowave.com/sma-pin-diode-switch-spst-1-18-ghz-rated-20-dbm-fmsw6264-p.aspx>

The information contained in this document is accurate to the best of our knowledge and representative of the part described herein. It may be necessary to make modifications to the part and/or the documentation of the part, in order to implement improvements. Fairview Microwave reserves the right to make such changes as required. Unless otherwise stated, all specifications are nominal. Fairview Microwave does not make any representation or warranty regarding the suitability of the part described herein for any particular purpose, and Fairview Microwave does not assume any liability arising out of the use of any part or documentation.





ALL DIMENSIONS ARE IN INCHES.
TOLERANCES:
X.XX ±0.020
X.XXX ±0.010

* THESE DIMENSIONS AND TOLERANCES SUPERSEDE NOTE #1 ON TITLE BLOCK.

FAIRVIEW MICROWAVE INC. ALLEN, TX 75013 WWW.FAIRVIEWMICROWAVE.COM		NOTES: 1. UNLESS OTHERWISE SPECIFIED ALL DIMENSIONS ARE NOMINAL. 2. ALL SPECIFICATIONS ARE SUBJECT TO CHANGE WITHOUT NOTICE AT ANY TIME. 3. DIMENSIONS ARE IN INCHES [mm].			
TITLE SMA PIN Diode Switch SPST From 1 GHz to 18 GHz Rated at +20 dBm		DWG NO FMSW6264		CAGE CODE 3FKR5	
CAD FILE	011316	SHEET	SCALE	N/A	SIZE A 2233