

**SP4T Latching DC to 26.5 GHz Terminated Electro-Mechanical Relay Switch, up to 90W, 12V, SMA**

The FMSW6366 is a Single Pole Four Throw (SP4T) electromechanical relay switch that operates across a wide frequency range of DC to 26.5 GHz and can handle up to 90 Watts of CW input power in a break before make condition. The design features a Latching actuator and is rated for 5M life cycles for high reliability operation. Impressive performance includes insertion loss less than 0.15 dB typical and isolation greater than 80 dB typical. The Latching actuator has 50 Ohm Terminations and a +12 Vdc bias voltage, and operates over a temperature range of -25°C to +70°C. The rugged and compact package assembly supports SMA Female connectors and a 15 Pin D-Sub Connector for DC Control. And for highly reliable operation, the model is guaranteed to meet MIL-STD-202 environmental test conditions for shock and random vibration.

**Electrical Specifications**

|                    |                   |
|--------------------|-------------------|
| Switch Type        | SP4T, Terminated  |
| Actuator Type      | Latching          |
| Switching Sequence | Break before Make |

| Description                  | Min | Typ   | Max   | Units |
|------------------------------|-----|-------|-------|-------|
| Frequency Range              | DC  |       | 26.5  | GHz   |
| Impedance                    |     | 50    |       | Ohms  |
| Termination Impedance        |     | 50    |       | Ohms  |
| Operating Voltage            | 11  | 12    | 13    | Volts |
| Actuating Current @ 12 Volts |     | 200   |       | mA    |
| VSWR                         |     | 1.2:1 | 1.7:1 |       |
| Insertion Loss               |     | 0.15  | 0.7   | dB    |
| Insertion Loss Repeatability |     |       |       |       |
| Isolation                    | 70  | 80    |       | dB    |
| Input Power (CW)             |     |       | 50    | Watts |
| Termination Input Power (CW) |     |       | 5     | Watts |
| Switching Time               |     |       | 20    | ms    |

**Performance by Frequency**

| Description         | F1     | F2     | F3      | F4        | F5 | Units |
|---------------------|--------|--------|---------|-----------|----|-------|
| Frequency Range     | DC - 6 | 6 - 12 | 12 - 18 | 18 - 26.5 |    | GHz   |
| VSWR, Max           | 1.2:1  | 1.3:1  | 1.4:1   | 1.7:1     |    |       |
| Insertion Loss, Max | 0.15   | 0.25   | 0.4     | 0.7       |    | dB    |
| Isolation, Min      | 80     | 80     | 80      | 70        |    | dB    |
| Power In, Typ (CW)  | 90     | 75     | 60      | 50        |    | Watts |

**Mechanical Specifications**

|                |                      |
|----------------|----------------------|
| <b>Size</b>    |                      |
| Weight         | 0.373 lbs [169.19 g] |
| Package Type   | Connectorized        |
| Operating Life | 5,000,000 Cycles     |



**Features:**

- Single Pole Four Throw
- DC to 26.5 GHz Frequency Range
- Isolation greater than 80 dB typical
- 5M Cycle Min Operating Life
- +12 Volt DC
- 90 Watt average Power
- Latching Actuator
- Internally Terminated
- -25 to +70°C Operating Temperature
- Insertion Loss as low as 0.2 dB Max
- VSWR as low as 1.2:1 max
- SMA Female RF connectors
- 15 Pin D-Sub Connector for DC Control
- Hot Switching Capability - Consult Factory
- S-Parameter Data available upon request

**Applications:**

- High Performance Relay Switch
- Military Communications
- Communications Systems
- Test & Measurement

Fairview Microwave  
1130 Junction Dr. #100  
Allen, TX 75013  
Tel: 1-800-715-4396 / (972) 649-6678  
Fax: (972) 649-6689  
www.fairviewmicrowave.com  
sales@fairviewmicrowave.com

**Connectors**

RF Connector Type SMA Female  
 Control Connector 15 Pin D-Sub

**Environmental Specifications**

**Temperature**

Operating Range -25 to +70 deg C  
 Storage Range -55 to +100 deg C

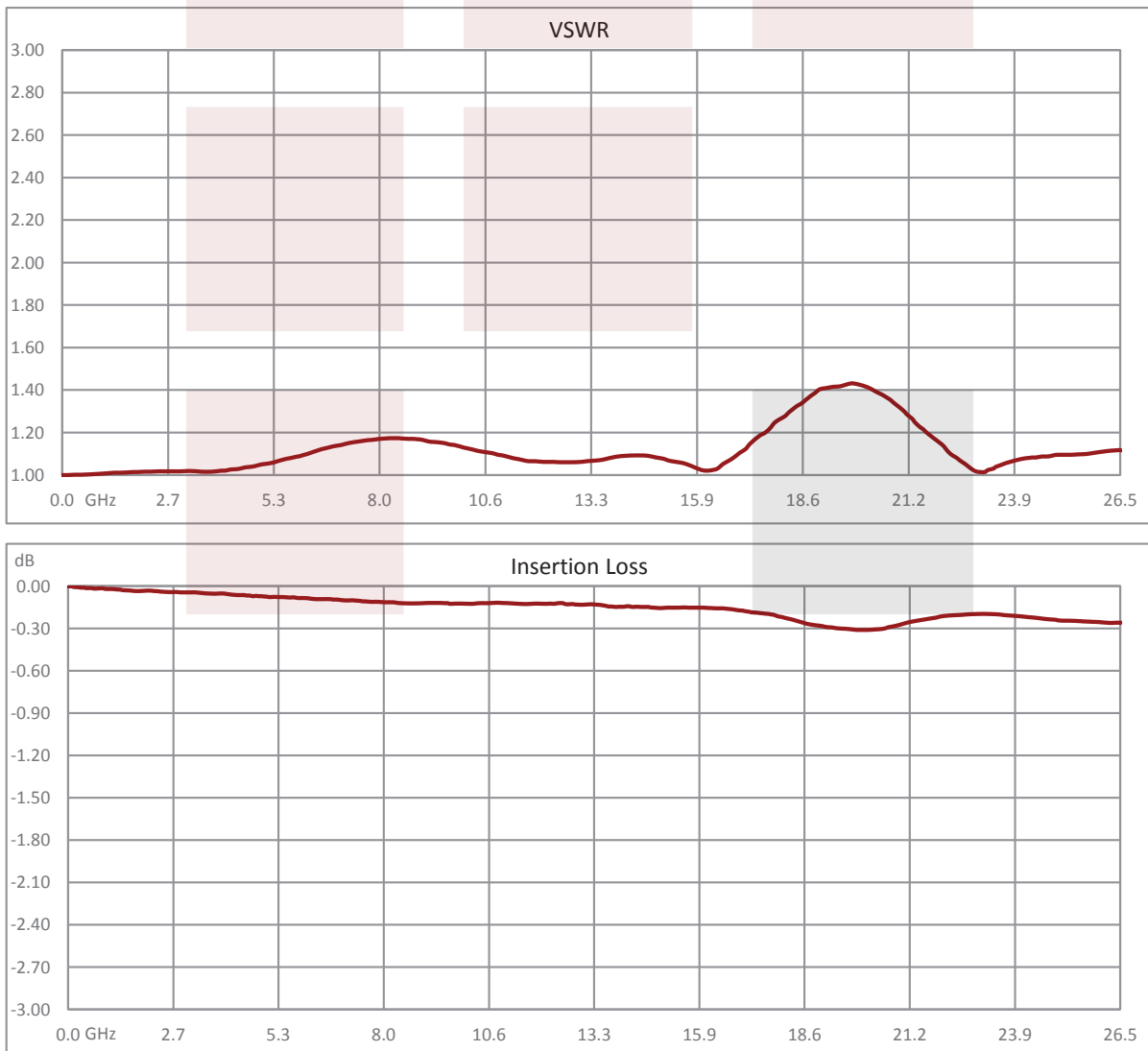
Shock MIL-STD-202 Method 213, Cond. D 500G Non Operating  
 Vibration MIL-STD-202 Method 214, Cond. D 10G RMS Non Operating

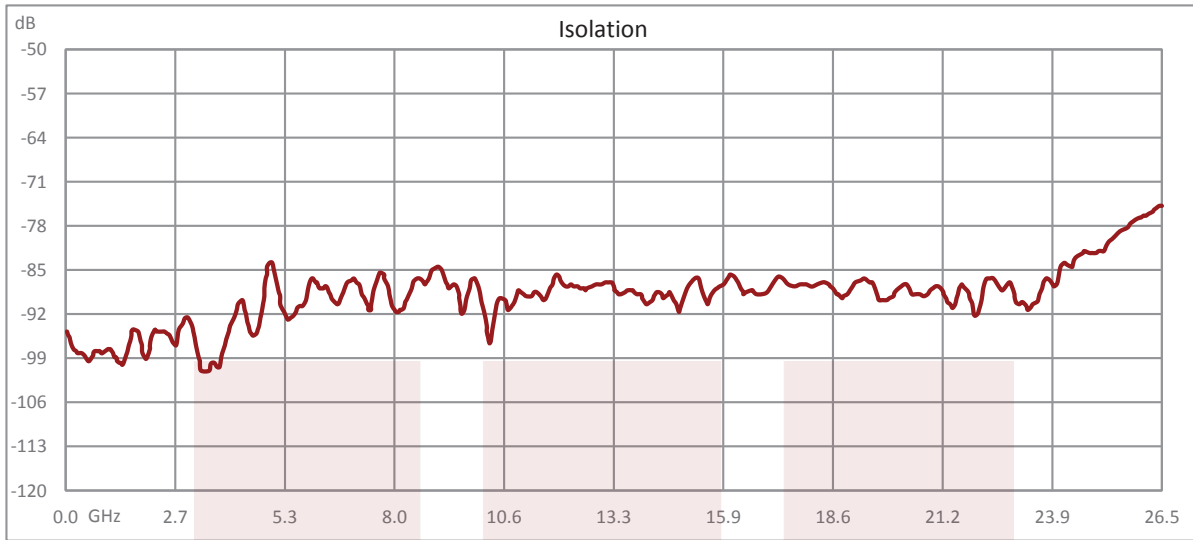
**Compliance Certifications** (see [product page](#) for current document)

**Plotted and Other Data**

Notes:

**Typical Performance Data**



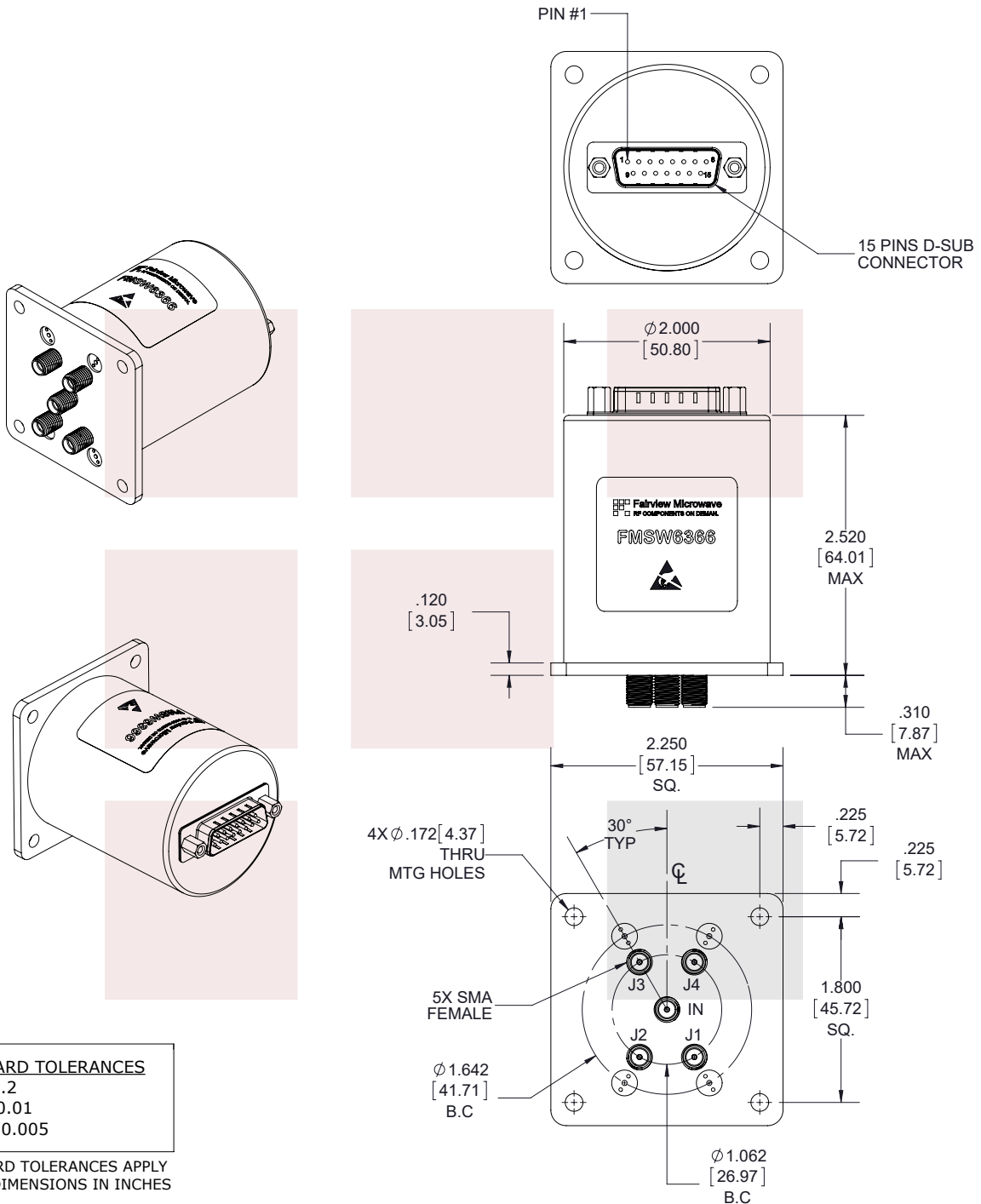


SP4T Latching DC to 26.5 GHz Terminated Electro-Mechanical Relay Switch, up to 90W, 12V, SMA from Fairview Microwave is in-stock and available to ship same-day. All of our RF/microwave products are available off-the-shelf from our ISO 9001:2008 certified facilities in Allen, Texas. Fairview Microwave is RF on-demand.

For additional information on this product, please click the following link: [SP4T Latching DC to 26.5 GHz Terminated Electro-Mechanical Relay Switch, up to 90W, 12V, SMA FMSW6366](#)

URL: <https://www.fairviewmicrowave.com/sp4t-latching-26.5-ghz-terminated-electro-mechanical-relay-switch-50w-12v-sma-fmsw6366-p.aspx>

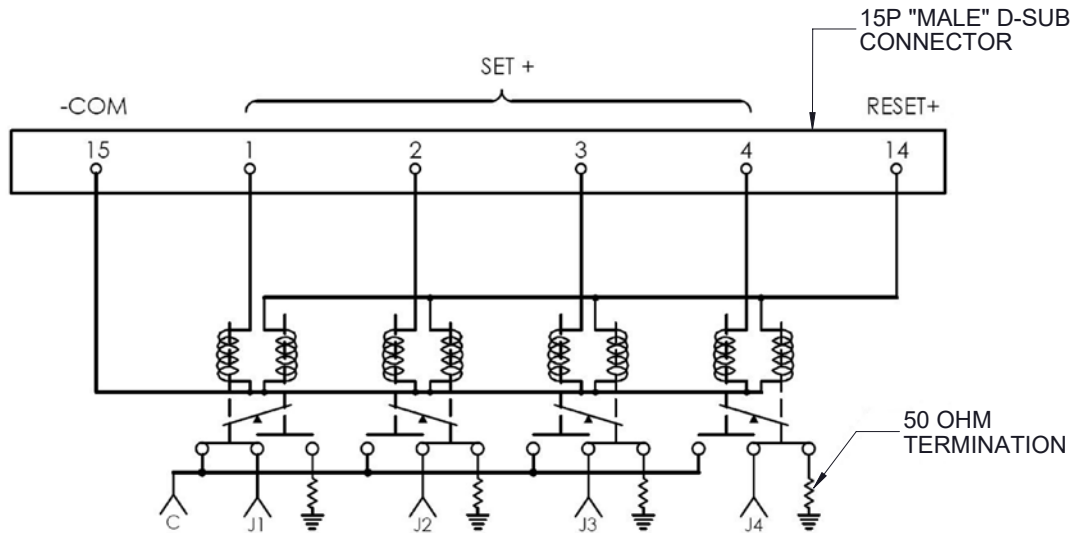
The information contained in this document is accurate to the best of our knowledge and representative of the part described herein. It may be necessary to make modifications to the part and/or the documentation of the part, in order to implement improvements. Fairview Microwave reserves the right to make such changes as required. Unless otherwise stated, all specifications are nominal. Fairview Microwave does not make any representation or warranty regarding the suitability of the part described herein for any particular purpose, and Fairview Microwave does not assume any liability arising out of the use of any part or documentation.



**STANDARD TOLERANCES**  
 .X ±0.2  
 .XX ±0.01  
 .XXX ±0.005

\*STANDARD TOLERANCES APPLY ONLY TO DIMENSIONS IN INCHES

|   |        |   |        |                           |     |      |   |      |
|---|--------|---|--------|---------------------------|-----|------|---|------|
| <b>FAIRVIEW MICROWAVE INC.</b><br>ALLEN, TX 75013 WWW.FAIRVIEWMICROWAVE.COM                           |        | NOTES:<br>1. UNLESS OTHERWISE SPECIFIED ALL DIMENSIONS ARE NOMINAL.<br>2. ALL SPECIFICATIONS ARE SUBJECT TO CHANGE WITHOUT NOTICE AT ANY TIME.<br>3. DIMENSIONS ARE IN INCHES [mm]. |        |                           |     |      |   |      |
| TITLE<br>SP4T Latching DC to 26.5 GHz Terminated Electro-Mechanical Relay Switch, up to 90W, 12V, SMA |        | DWG NO<br><b>FMSW6366</b>   |        | CAGE CODE<br><b>3FKR5</b> |     |      |   |      |
| CAD FILE  | 091117 | SHEET   | 1 OF 2 | SCALE                     | N/A | SIZE | A | 7361 |



**SCHEMATIC SHOWN IN LATCHING POSITION**

(COIL 1 SHOWN LAST ENERGIZED)

| TERMINALS<br>D-SUB PIN<br>ASSIGNMENT | RF PATH |     |     |     |
|--------------------------------------|---------|-----|-----|-----|
|                                      | J1      | J2  | J3  | J4  |
| 1 (SET+)                             | ON      | OFF | OFF | OFF |
| 2 (SET+)                             | OFF     | ON  | OFF | OFF |
| 3 (SET+)                             | OFF     | OFF | ON  | OFF |
| 4 (SET+)                             | OFF     | OFF | OFF | ON  |
| 14 (RESET+)                          | ALL OFF |     |     |     |

PIN 15. -COM

|   |        |   |        |                           |     |      |   |      |
|---|--------|---|--------|---------------------------|-----|------|---|------|
| <b>FAIRVIEW MICROWAVE INC.</b><br>ALLEN, TX 75013 WWW.FAIRVIEWMICROWAVE.COM                           |        | NOTES:<br>1. UNLESS OTHERWISE SPECIFIED ALL DIMENSIONS ARE NOMINAL.<br>2. ALL SPECIFICATIONS ARE SUBJECT TO CHANGE WITHOUT NOTICE AT ANY TIME.<br>3. DIMENSIONS ARE IN INCHES [mm]. |        |                           |     |      |   |      |
| TITLE<br>SP4T Latching DC to 26.5 GHz Terminated Electro-Mechanical Relay Switch, up to 90W, 12V, SMA |        | DWG NO<br><b>FMSW6366</b>   |        | CAGE CODE<br><b>3FKR5</b> |     |      |   |      |
| CAD FILE  | 091117 | SHEET   | 2 OF 2 | SCALE                     | N/A | SIZE | A | 7361 |