

Environmental Specifications

Temperature

Operating Range -25 to +70 deg C
 Storage Range -55 to +100 deg C

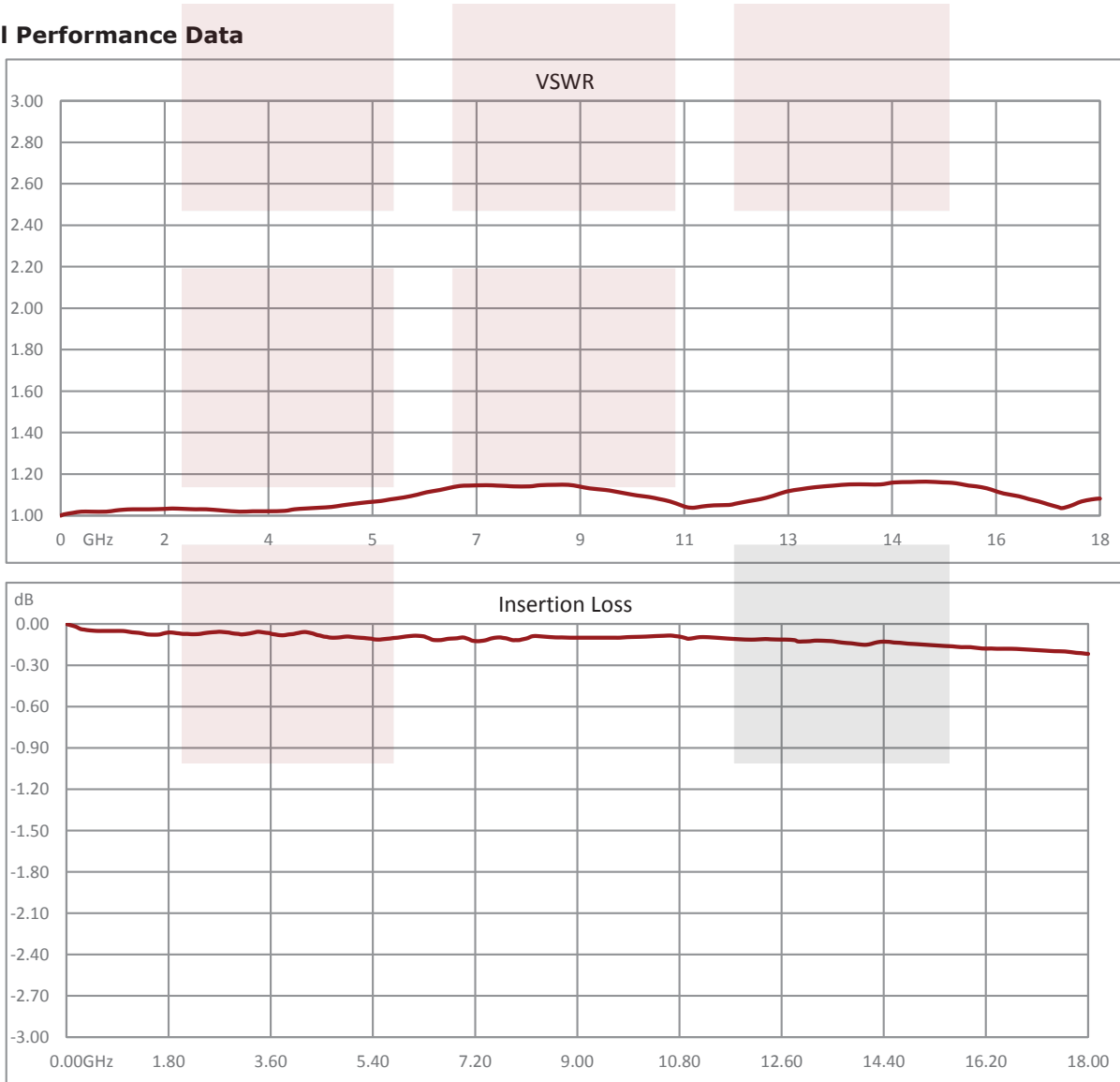
Shock MIL-STD-202 Method 213, Cond. D 500G Non Operating
 Vibration MIL-STD-202 Method 214, Cond. D 10G RMS Non Operating

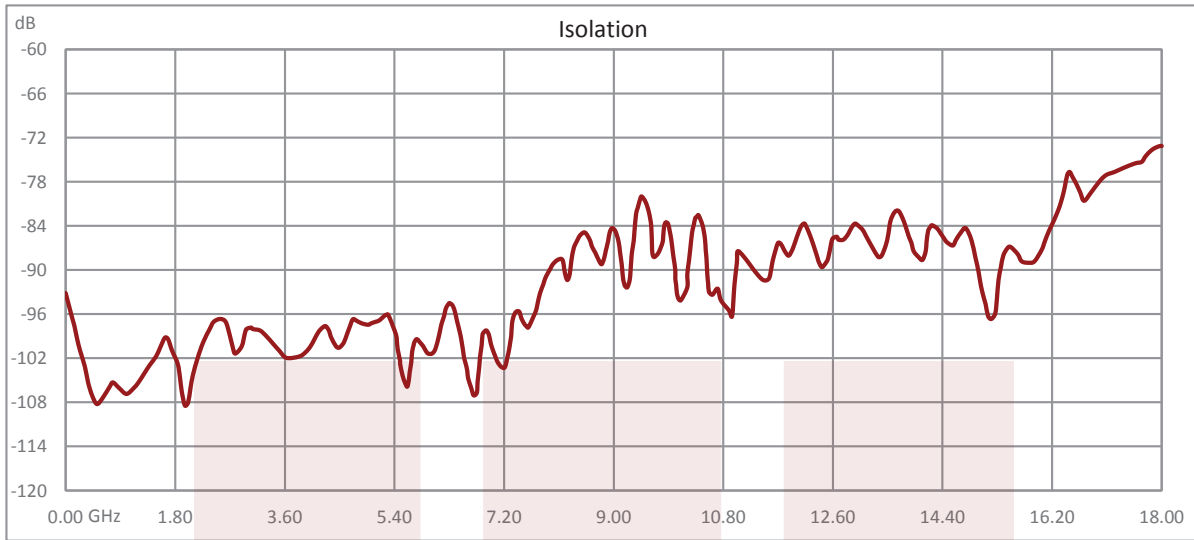
Compliance Certifications (see [product page](#) for current document)

Plotted and Other Data

Notes:

Typical Performance Data



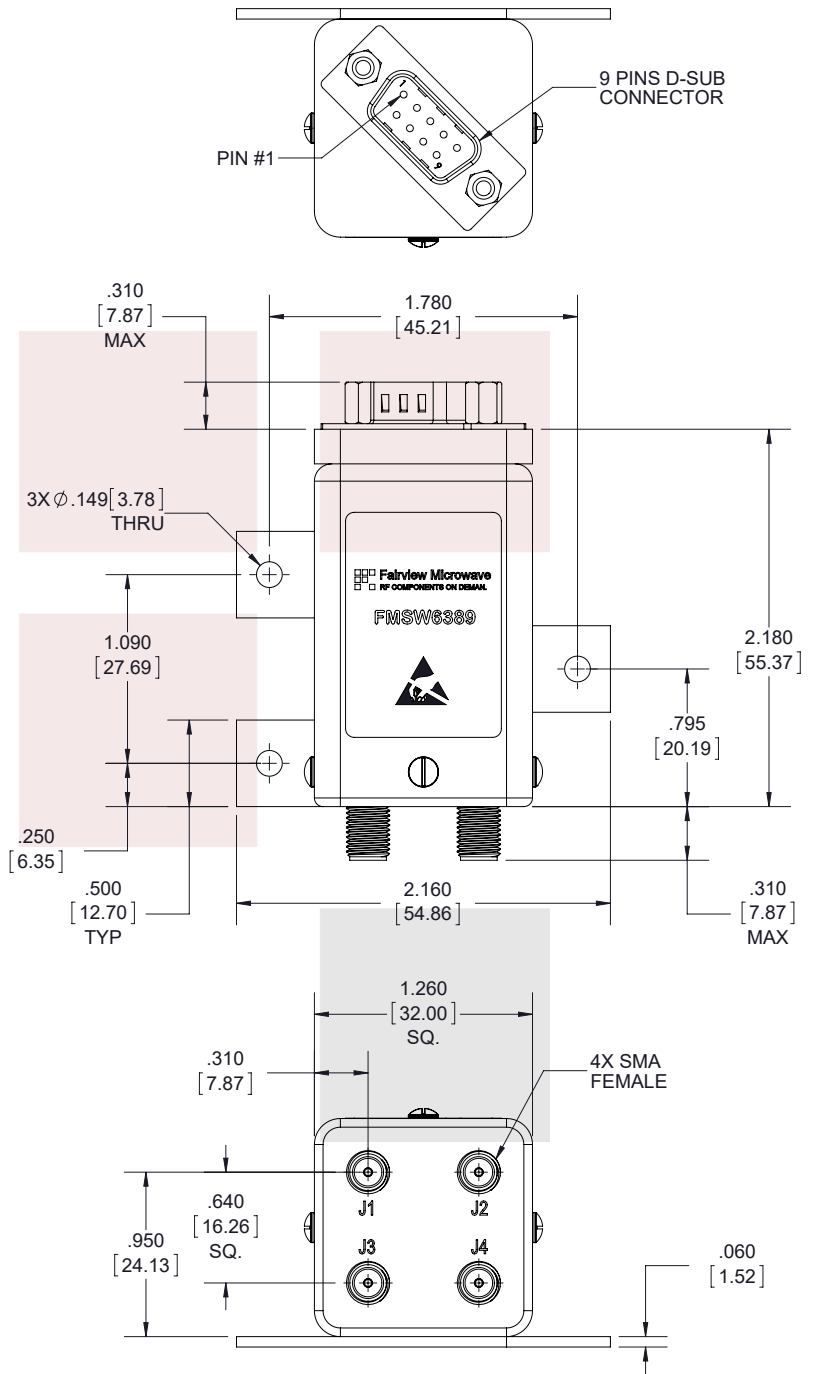
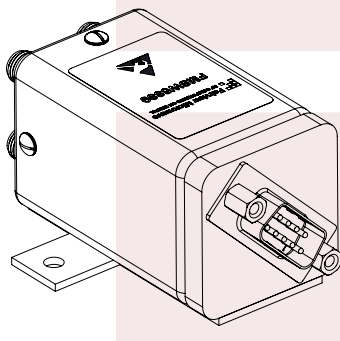
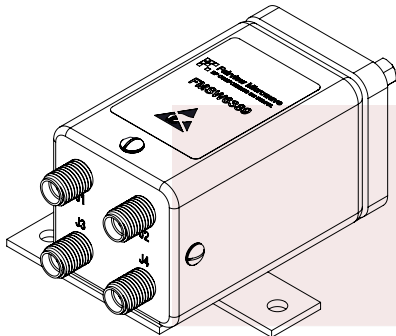


Transfer Failsafe DC to 18 GHz Electro-Mechanical Relay Switch, up to 90W, 24V, SMA from Fairview Microwave is in-stock and available to ship same-day. All of our RF/microwave products are available off-the-shelf from our ISO 9001:2008 certified facilities in Allen, Texas. Fairview Microwave is RF on-demand.

For additional information on this product, please click the following link: [Transfer Failsafe DC to 18 GHz Electro-Mechanical Relay Switch, up to 90W, 24V, SMA FMSW6389](https://www.fairviewmicrowave.com/transfer-failsafe-dc-to-18-ghz-electro-mechanical-relay-switch-60w-24v-sma-fm-sw6389)

URL: <https://www.fairviewmicrowave.com/transfer-failsafe-18-ghz-electro-mechanical-relay-switch-60w-24v-sma-fm-sw6389-p.aspx>

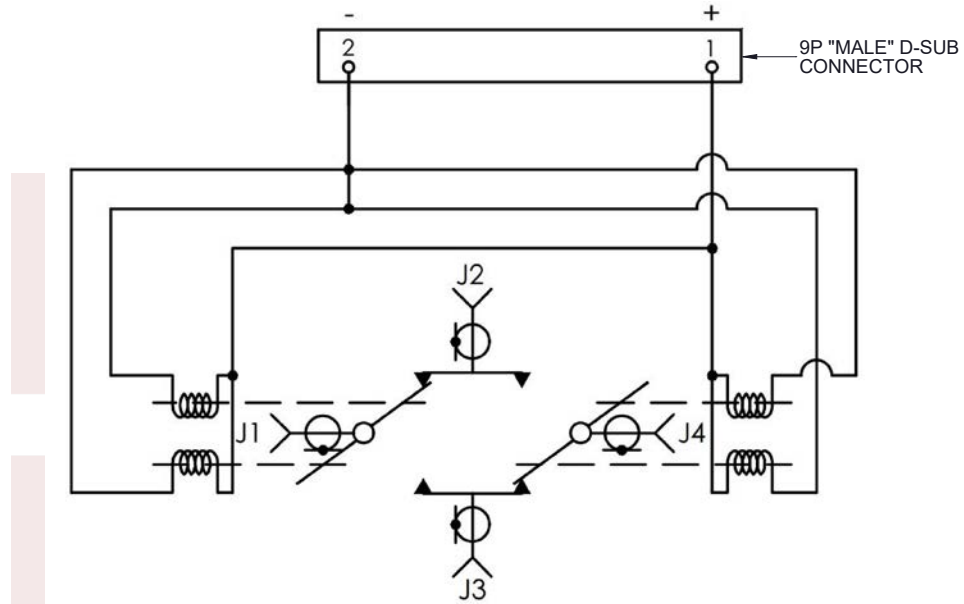
The information contained in this document is accurate to the best of our knowledge and representative of the part described herein. It may be necessary to make modifications to the part and/or the documentation of the part, in order to implement improvements. Fairview Microwave reserves the right to make such changes as required. Unless otherwise stated, all specifications are nominal. Fairview Microwave does not make any representation or warranty regarding the suitability of the part described herein for any particular purpose, and Fairview Microwave does not assume any liability arising out of the use of any part or documentation.



STANDARD TOLERANCES
 .X ±0.2
 .XX ±0.01
 .XXX ±0.005

*STANDARD TOLERANCES APPLY ONLY TO DIMENSIONS IN INCHES

FAIRVIEW MICROWAVE INC. ALLEN, TX 75013 WWW.FAIRVIEWMICROWAVE.COM		NOTES: 1. UNLESS OTHERWISE SPECIFIED ALL DIMENSIONS ARE NOMINAL. 2. ALL SPECIFICATIONS ARE SUBJECT TO CHANGE WITHOUT NOTICE AT ANY TIME. 3. DIMENSIONS ARE IN INCHES [mm].				
TITLE Transfer Failsafe DC to 18 GHz Electro-Mechanical Relay Switch, up to 90W, 24V, SMA		DWG NO FMSW6389		CAGE CODE 3FKR5		
CAD FILE	090817	SHEET	1 OF 1	SCALE	N/A	SIZE A 7361



SCHEMATIC SHOWN IN FAILSAFE POSITION

VOLTAGE	RF PATH
DE-ENERGIZED	J1-J2, J3-J4
ENERGIZED	J1-J3, J2-J4

FAIRVIEW MICROWAVE INC. ALLEN, TX 75013 WWW.FAIRVIEWMICROWAVE.COM		NOTES: 1. UNLESS OTHERWISE SPECIFIED ALL DIMENSIONS ARE NOMINAL. 2. ALL SPECIFICATIONS ARE SUBJECT TO CHANGE WITHOUT NOTICE AT ANY TIME. 3. DIMENSIONS ARE IN INCHES [mm].						
TITLE Transfer Failsafe DC to 18 GHz Electro-Mechanical Relay Switch, up to 90W, 24V, SMA		DWG NO FMSW6389		CAGE CODE 3FKR5				
CAD FILE	090817	SHEET	2 OF 2	SCALE	N/A	SIZE	A	7361