

SP6T Latching Self Cut-Off Electro-Mechanical Relay Switch DC to 26.5 GHz , TTL, Up To 90W, 12V, 5M Lifecycles, Diodes, Pos. Com, SMA

The FMSW6427 is a Single Pole Six Throw (SP6T) electromechanical relay switch that operates across a wide frequency range of DC to 26.5 GHz and can handle up to 90 Watts of CW input power in a break before make condition. The 50 Ohm design is rated for 5 million lifecycles and features a Latching Self Cut-Off Actuator that magnetically latches in place after the control voltage is removed. For power sensitive applications, this is the best actuator option. Additional features include suppression diodes which limit voltage spikes or reverse current, and +COM reverse polarity. This switch requires 12Vdc bias voltage and operates over a temperature range of -25°C to +65°C. Impressive typical performance includes 0.4 dB insertion loss and isolation greater than 80 dB. The rugged and compact package assembly supports SMA female connectors and a 15 pin D-SUB connector for all command control functions. And for highly reliable operation, the model is guaranteed to meet MIL-STD-202 environmental test conditions for shock and random vibration.

Electrical Specifications

Switch Type	SP6T
Actuator Type	Failsafe
Switching Sequence	Break before Make
Actuator Options	TTL Logic
TTL Control	on: 2.4 to 5.5 Volts off: 0 to 0.8 Volts

Description	Min	Typ	Max	Units
Frequency Range	DC		26.5	GHz
Impedance		50		Ohms
Operating Voltage	11	12	13	Volts
Actuating Current @ 12 Volts At +20°C			280	mA
Actuating Reset Current			1.68	A
VSWR		1.4:1	1.7:1	
Insertion Loss		0.4	0.6	dB
Isolation	50	80		dB
Input Power (CW)			90	Watts
Switching Time			20	ms

Performance by Frequency

Description	F1	F2	F3	F4	F5	Units
Frequency Range	DC - 6	6 - 12	12 - 18	18 - 26.5		GHz
VSWR, Max	1.2:1	1.3:1	1.4:1	1.7:1		
Insertion Loss, Max	0.15	0.25	0.4	0.7		dB
Isolation, Min	80	80	80	70		dB



Features:

- Single Pole Double Throw Electromechanical Relay Switch
- DC to 12 GHz Frequency Range
- Latching Self Cut-Off Actuator
- Suppression Diodes
- +COM Reverse Polarity
- 5M Lifecycle Rating
- Insertion Loss 0.4 dB typ
- Isolation > 80 dB typ
- VSWR 1.4:1 typ
- SMA Female Connectors
- 12 Volt DC Bias
- 15 PIN D-SUB Connector for DC Control
- -25°C to +65°C Operating Temperature
- Up to 90 Watt Average Power Handling
- 50 Ohm Design
- Hot Switching Capability - Consult Factory
- S-Parameter Data available upon request
- Rugged Design meets Mil-STD-202 Test Conditions

Applications:

- Aerospace & Defense
- Test & Measurement
- Microwave Radio Systems
- Military & Commercial Communication Systems
- Research & Development
- SATCOM
- Wireless Communications
- Enterprise
- IoT

Fairview Microwave
301 Leora Ln., Suite 100
Lewisville, TX 75056
Tel: 1-800-715-4396 / (972) 649-6678
Fax: (972) 649-6689
www.fairviewmicrowave.com
sales@fairviewmicrowave.com

Mechanical Specifications

Size

Body Material and Plating	Aluminum
Package Type	Connectorized
Operating Life	2,000,000 Cycles

Connectors

RF Connector Type	SMA Female
Control Connector	Solder Terminals

Environmental Specifications

Temperature

Operating Range	-25 to +65 deg C
Storage Range	-55 to +100 deg C

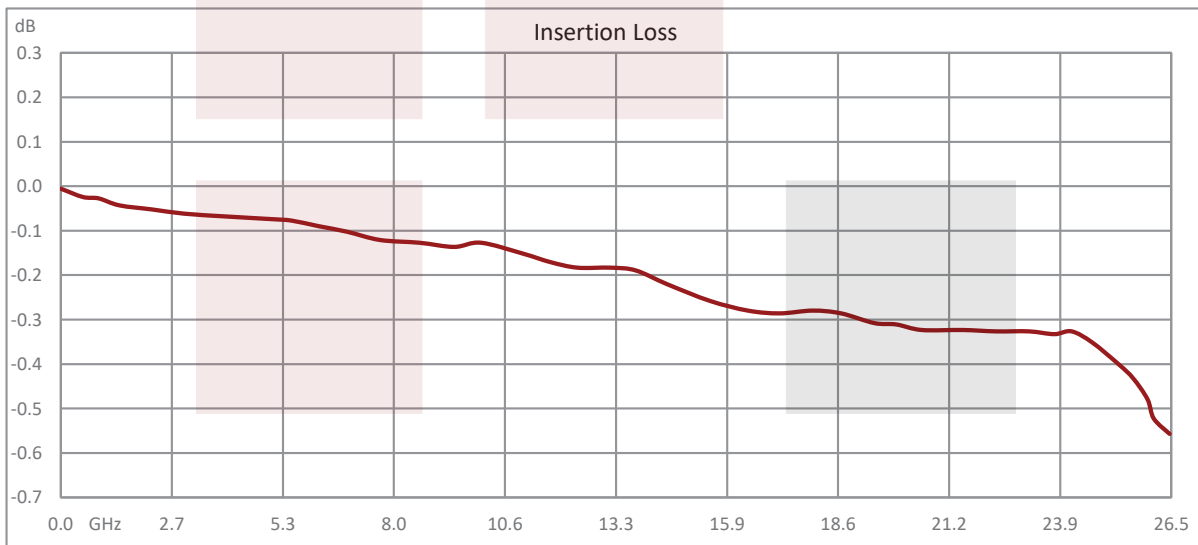
Humidity	Moisture Resistance
Shock	MIL-STD-202 Method 213, Cond. D 500G Non Operating
Vibration	MIL-STD-202 Method 204, Cond. D 10G RMS Non Operating

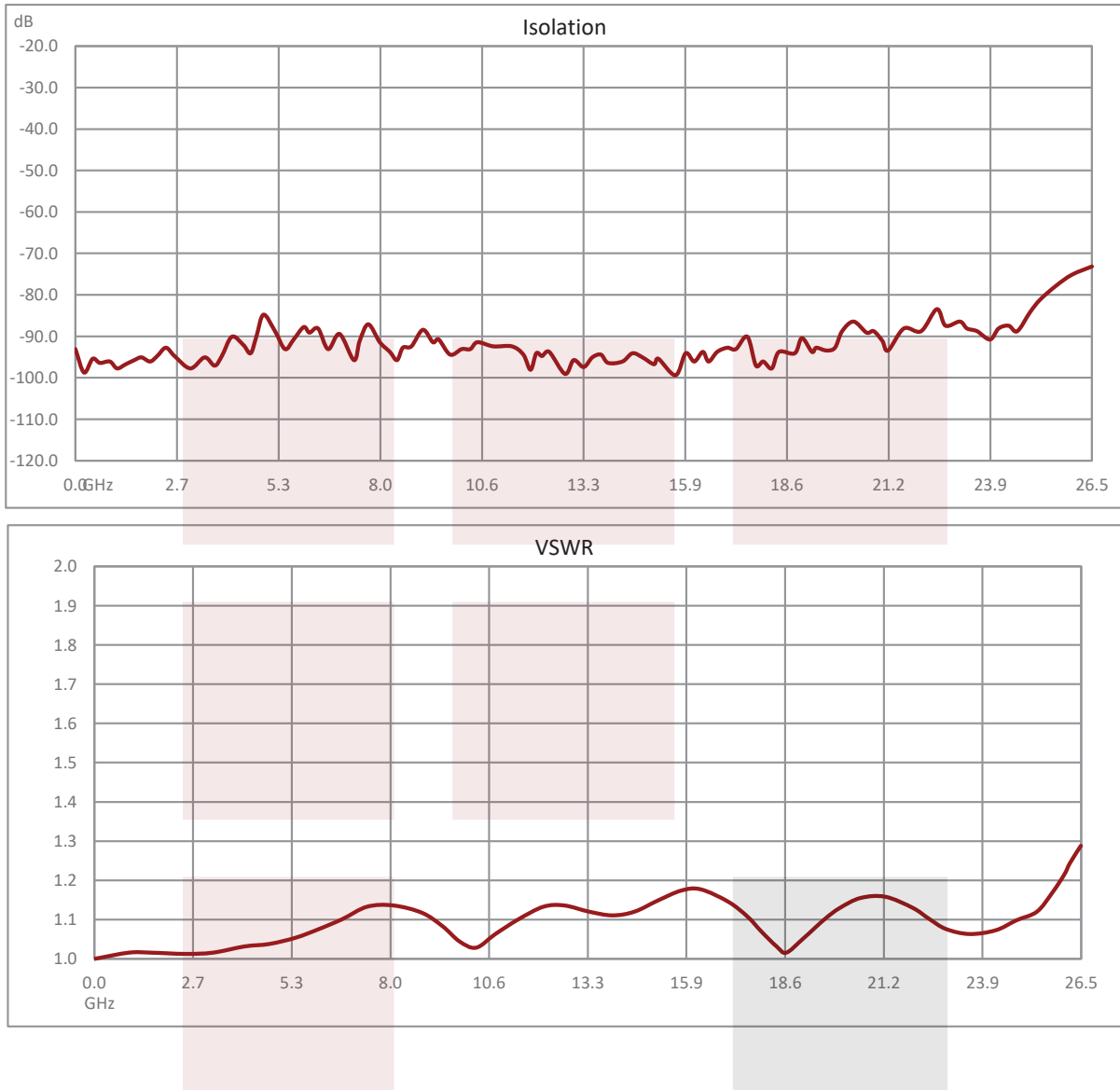
Compliance Certifications (see [product page](#) for current document)

Plotted and Other Data

Notes:

Typical Performance Data





SP6T Latching Self Cut-Off Electro-Mechanical Relay Switch DC to 26.5 GHz , TTL, Up To 90W, 12V, 5M Lifecycles, Diodes, Pos. Com, SMA from Fairview Microwave is in-stock and available to ship same-day. All of our RF/microwave products are available off-the-shelf from our ISO 9001:2008 certified facilities in Lewisville, Texas. Fairview Microwave is RF on-demand.

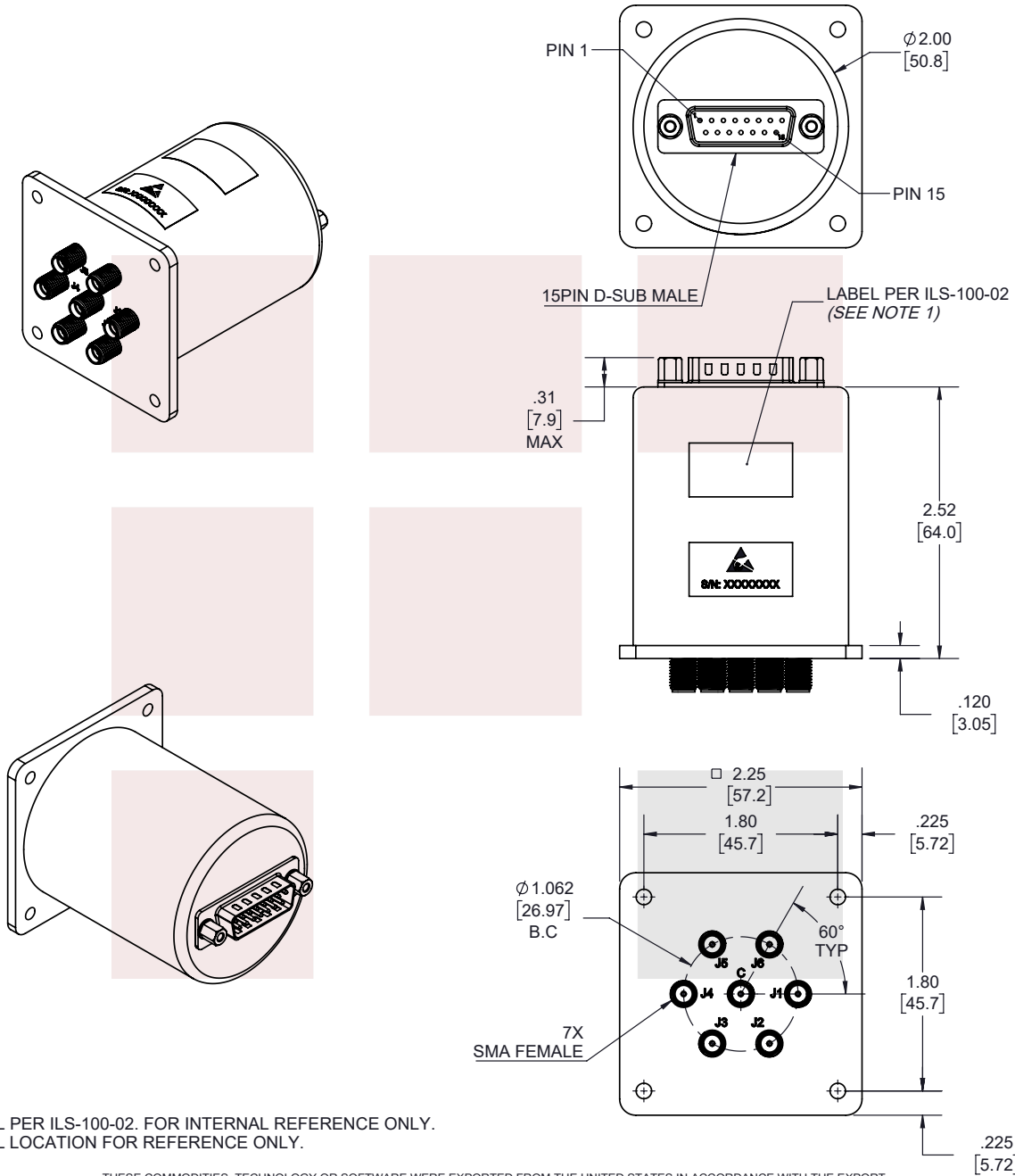
For additional information on this product, please click the following link: [SP6T Latching Self Cut-Off Electro-Mechanical Relay Switch DC to 26.5 GHz , TTL, Up To 90W, 12V, 5M Lifecycles, Diodes, Pos. Com, SMA FMSW6427](#)

URL: <https://www.fairviewmicrowave.com/sp4t-failsafe-26.5-ghz-electro-mechanical-relay-switch-90w-12v-sma-fm-sw6427-p.aspx>

The information contained in this document is accurate to the best of our knowledge and representative of the part described herein. It may be necessary to make modifications to the part and/or the documentation of the part, in order to implement improvements. Fairview Microwave reserves the right to make such changes as required. Unless otherwise stated, all specifications are nominal. Fairview Microwave does not make any representation or warranty regarding the suitability of the part described herein for any particular purpose, and Fairview Microwave does not assume any liability arising out of the use of any part or documentation.



REVISIONS			
REV.	DESCRIPTION	DATE	APPROVED
A	INITIAL RELEASE	10/14/2020	T.GALLA



NOTES:

1. LABEL PER ILS-100-02. FOR INTERNAL REFERENCE ONLY. LABEL LOCATION FOR REFERENCE ONLY.

THESE COMMODITIES, TECHNOLOGY OR SOFTWARE WERE EXPORTED FROM THE UNITED STATES IN ACCORDANCE WITH THE EXPORT ADMINISTRATION REGULATIONS. DIVERSION CONTRARY TO U.S. LAW PROHIBITED.

TITLE

SP6T Latching Self Cut-Off Electro-Mechanical Relay
Switch DC to 26.5 GHz , TTL, Up To 90W, 12V, 5M
Lifecycles, Diodes, Pos. Com, SMA

UNLESS OTHERWISE SPECIFIED LEADING DIMENSIONS ARE INCHES
DIMENSIONS IN [] ARE MILLIMETERS

TOLERANCES: CABLE LENGTH (L) TOLERANCES:

.X = ±.2 [5.08]	FRACTIONS	L ≤ 12 [305] = +1 [25] / -0
.XX = ±.02 [.51]	± 1/32	12 [305] < L ≤ 60 [1524] = +2 [51] / -0
.XXX = ±.005 [.13]	ANGLES ± 1°	60 [1524] < L ≤ 120 [3048] = +4 [102] / -0
		120 [3048] < L ≤ 300 [7620] = +6 [152] / -0
		300 [7620] < L = +5%L / -0

THIRD-ANGLE PROJECTION



THE INFORMATION AND DESIGN IN THIS DOCUMENT IS THE PROPERTY OF FAIRVIEW MICROWAVE CORPORATION. ALL RIGHTS RESERVED.

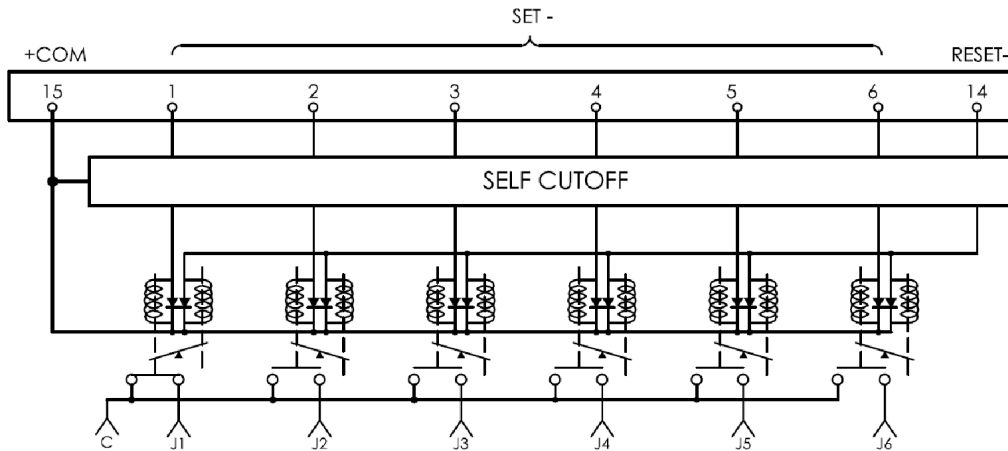
SHEET 1 OF 2

ALL DIMENSIONS SHOWN ARE FOR REFERENCE ONLY.

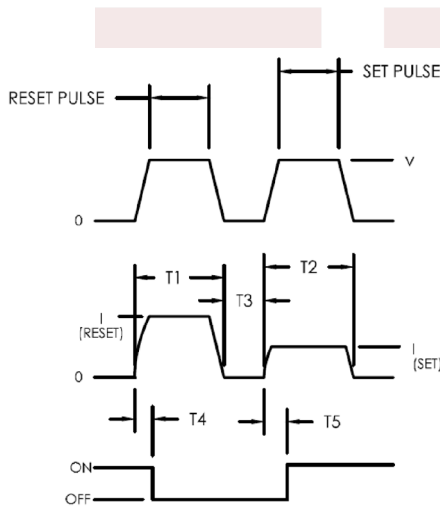
SCALE N/A

SIZE A	CAGE CODE 3FKR5	DRAWN BY K.DANG	ITEM NO. FMSW6427	REV A
-----------	--------------------	--------------------	----------------------	----------

T-Rev.D



SCHEMATIC
(COIL 1 SHOWN LAST ENERGIZED)



TRUTH TABLE/PIN ASSIGNMENT:

TERMINALS LOGIC INPUT PINS	RF PATH					
	J1	J2	J3	J4	J5	J6
1 (SET-)	ON	OFF	OFF	OFF	OFF	OFF
2 (SET-)	OFF	ON	OFF	OFF	OFF	OFF
3 (SET-)	OFF	OFF	ON	OFF	OFF	OFF
4 (SET-)	OFF	OFF	OFF	ON	OFF	OFF
5 (SET-)	OFF	OFF	OFF	OFF	ON	OFF
6 (SET-)	OFF	OFF	OFF	OFF	OFF	ON
14 (RESET-)	ALL OFF					

PIN 15. +COM

THESE COMMODITIES, TECHNOLOGY OR SOFTWARE WERE EXPORTED FROM THE UNITED STATES IN ACCORDANCE WITH THE EXPORT ADMINISTRATION REGULATIONS. DIVERSION CONTRARY TO U.S. LAW PROHIBITED.

TITLE
SP6T Latching Self Cut-Off Electro-Mechanical Relay
Switch DC to 26.5 GHz , TTL, Up To 90W, 12V, 5M
Lifecycles, Diodes, Pos. Com, SMA

UNLESS OTHERWISE SPECIFIED LEADING DIMENSIONS ARE INCHES
DIMENSIONS IN [] ARE MILLIMETERS

TOLERANCES: CABLE LENGTH (L) TOLERANCES:

.X = ±.2 [5.08] FRACTIONS L ≤ 12 [305] = +1 [25] / -0
.XX = ±.02 [.51] ± 1/32 12 [305] < L ≤ 60 [1524] = +2 [51] / -0
.XXX = ±.005 [.13] ANGLES ± 1° 60 [1524] < L ≤ 120 [3048] = +4 [102] / -0
120 [3048] < L ≤ 300 [7620] = +6 [152] / -0
300 [7620] < L = +5%L / -0

THIRD-ANGLE PROJECTION



THE INFORMATION AND DESIGN IN THIS DOCUMENT IS THE PROPERTY OF FAIRVIEW MICROWAVE CORPORATION. ALL RIGHTS RESERVED.

SHEET 2 OF 2

SCALE N/A

ALL DIMENSIONS SHOWN ARE FOR REFERENCE ONLY.

SIZE A	CAGE CODE 3FKR5	DRAWN BY K.DANG	ITEM NO. FMSW6427	REV A
-----------	--------------------	--------------------	----------------------	----------

T-Rev.D