

RF Load 1 Watts to 34.5 GHz 3.5mm Female

RF termination (also called RF load or dummy load) FMTR1112 from Fairview Microwave operates from DC to 34.5 GHz and handles up to 1 Watt (CW). This 3.5mm termination (or load) is a 50 Ohm impedance and has a Female gender. FMTR1112 50 Ohm 3.5mm load termination offers 1.25:1 max VSWR.

RF terminations / loads are critical passive components in many RF, microwave and millimeter wave systems where signal reflection from unused ports can reduce the signal integrity can potentially damage the device. By terminating an unused port with a matched load (dummy load), the incident energy will be absorbed with minimal reflection. These radio frequency termination components are commonly used to terminate devices such as couplers, circulators, and switches. Loads / terminations are also widely used in measurement systems to ensure accurate results. Fairview Microwave offers a large selection of in-stock RF, microwave and millimeter wave terminations up to 65 GHz with great performance over the entire operating range and with power handling capabilities up to 800 Watts (CW).

Electrical Specifications

Description	Min	Typ	Max	Units
Frequency Range	DC		34.5	GHz
Impedance		50		Ohms
VSWR			1.25:1	
Input Power (CW)			1	Watt

Mechanical Specifications

Size
 Length 0.76 in [19.3 mm]
 Width 0.31 in [7.87 mm]

Configuration
 Connector 3.5mm Female
 Hex Size 5/16 inch
 Durability 500 Cycles

Material Specifications

Description	Material	Plating
Connector 1 Contact	Beryllium Copper	Gold
Outer Conductor	Passivated Stainless Steel	
Body	Passivated Stainless Steel	

Mechanical Specification Notes:
 Interface: IEC 60169-23

Environmental Specifications

Temperature
 Operating Range -55 to +105 deg C



Features:

- 50 Ohm RF Load
- DC to 34.5 GHz Frequency Range
- VSWR 1.25:1 Max
- Max Power 1 Watt (CW)
- 3.5mm Female Coaxial Interface

Applications:

- Wireless
- SatCom
- Radar Systems
- Test and Measurement
- Commercial and Military Communication

Fairview Microwave
 301 Leora Ln., Suite 100
 Lewisville, TX 75056
 Tel: 1-800-715-4396 / (972) 649-6678
 Fax: (972) 649-6689
www.fairviewmicrowave.com
sales@fairviewmicrowave.com

Humidity
Thermal Shock
Salt Spray

MIL-STD-202, Method 106
MIL-STD-202, Method 107, Condition B
MIL-STD-202, Method 101, Condition B

Compliance Certifications (see [product page](#) for current document)

Plotted and Other Data

Notes:

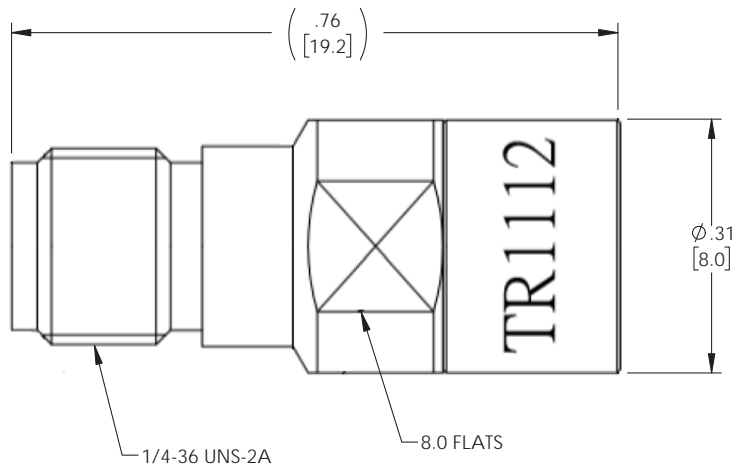
RF Load 1 Watts to 34.5 GHz 3.5mm Female from Fairview Microwave is in-stock and available to ship same-day. All of our RF/microwave products are available off-the-shelf from our ISO 9001:2008 certified facilities in Lewisville, Texas. Fairview Microwave is RF on-demand.

For additional information on this product, please click the following link: [RF Load 1 Watts to 34.5 GHz 3.5mm Female FMTR1112](#)

URL: <https://www.fairviewmicrowave.com/rf-load-1-watts-34.5-ghz-3.5mm-female-fmtr1112-p.aspx>

The information contained in this document is accurate to the best of our knowledge and representative of the part described herein. It may be necessary to make modifications to the part and/or the documentation of the part, in order to implement improvements. Fairview Microwave reserves the right to make such changes as required. Unless otherwise stated, all specifications are nominal. Fairview Microwave does not make any representation or warranty regarding the suitability of the part described herein for any particular purpose, and Fairview Microwave does not assume any liability arising out of the use of any part or documentation.

REVISIONS			
REV.	DESCRIPTION	DATE	APPROVED
A	INITIAL RELEASE	01/05/2021	SPONG



THESE COMMODITIES, TECHNOLOGY OR SOFTWARE WERE EXPORTED FROM THE UNITED STATES IN ACCORDANCE WITH THE EXPORT ADMINISTRATION REGULATIONS. DIVERSION CONTRARY TO U.S. LAW PROHIBITED.

TITLE
RF Load 1 Watts to 34.5 GHz 3.5mm Female

UNLESS OTHERWISE SPECIFIED LEADING DIMENSIONS ARE INCHES
DIMENSIONS IN [] ARE MILLIMETERS

TOLERANCES:		CABLE LENGTH (L) TOLERANCES:	
.X = ± 2 [5.08]	FRACTIONS ± 1/32	L ≤ 12 [305]	= +1 [25] / -0
.XX = ± 0.02 [.51]	ANGLES ± 1°	12 [305] < L ≤ 60 [1524]	= +2 [51] / -0
.XXX = ± 0.005 [.13]		60 [1524] < L ≤ 120 [3048]	= +4 [102] / -0
		120 [3048] < L ≤ 300 [7620]	= +6 [152] / -0
		300 [7620] < L	= +5%L / -0

THIRD-ANGLE PROJECTION



THE INFORMATION AND DESIGN IN THIS DOCUMENT IS THE PROPERTY OF FAIRVIEW MICROWAVE CORPORATION. ALL RIGHTS RESERVED.

SHEET 1 OF 1

ALL DIMENSIONS SHOWN ARE FOR REFERENCE ONLY.

SCALE N/A

SIZE	CAGE CODE	DRAWN BY	ITEM NO.	REV
A	3FKR5	DFRISIELLO	FMTR1112	A

T-Rev.D