

7/16 DIN Male (Plug) Termination (Load) 5 Watts,
DC to 6 GHz, Black Anodized Aluminum



FMTR1180

Features

- DC to 6 GHz Frequency Range
- 50 Ohm Impedance
- 7/16 DIN Male Coaxial Interface
- Max VSWR 1.25:1
- Max Power 5 Watts (CW)

Applications

- 5G Cellular Bands
- SatCom
- Radar Systems
- Test and Measurement
- Commercial and Military Communication
- DAS Systems

Description

Fairview Microwave's FMTR1180 is an RF termination (also called RF load or dummy load) that operates from DC to 6 GHz and handles up to 5 Watt (CW). Our 7/16 DIN termination / load has a male gender. FMTR1180 7/16 DIN load termination offers 1.25:1 max VSWR.

RF load / terminations are indispensable components in many RF, microwave and millimeter wave systems where signal reflection from unused ports can potentially damage the device or reduce the signal integrity. By using a terminator on an unused port with a matched load (dummy load), the incident energy will be absorbed with minimal reflection. These termination components are commonly used to terminate devices such as couplers, circulators, and switches. They are also widely used in measurement systems to ensure accurate results. Pasternack offers a huge selection of RF, microwave and millimeter wave terminations up to 65 GHz with excellent performance over the entire operating range and power handling capabilities up to 800 Watt (CW).

Electrical Specifications

Description	Minimum	Typical	Maximum	Units
Frequency Range	DC		6	GHz
Impedance		50		Ohms
VSWR, Input			1.25:1	
Input Power (CW)			5	Watts

Mechanical Specifications

Size

Length	1.417 in [35.99 mm]
Width	0.787 in [19.99 mm]
Height	0.787 in [19.99 mm]
Weight	0.0992 lbs [45 g]
Package Type	Connectorized

Configuration

Connector	7/16 DIN Male
-----------	---------------

Material Specifications

Description	Material	Plating
Connector 1 Body	Brass	Tri-Metal
Housing	Black Anodized Aluminum	

7/16 DIN Male (Plug) Termination (Load) 5 Watts,
DC to 6 GHz, Black Anodized Aluminum



FMTR1180

Environmental Specifications

Temperature

Operating Range

-40 to +75 deg C

Ingress Protection (IP) Rating

IP65

Compliance Certifications (see [product page](#) for current document)

Plotted and Other Data

Notes:

7/16 DIN Male (Plug) Termination (Load) 5 Watts, DC to 6 GHz, Black Anodized Aluminum from Fairview Microwave is in-stock and available to ship same-day. All of our RF/microwave products are available off-the-shelf from our ISO 9001:2008 certified facilities in Lewisville, Texas. Fairview Microwave is RF on-demand.

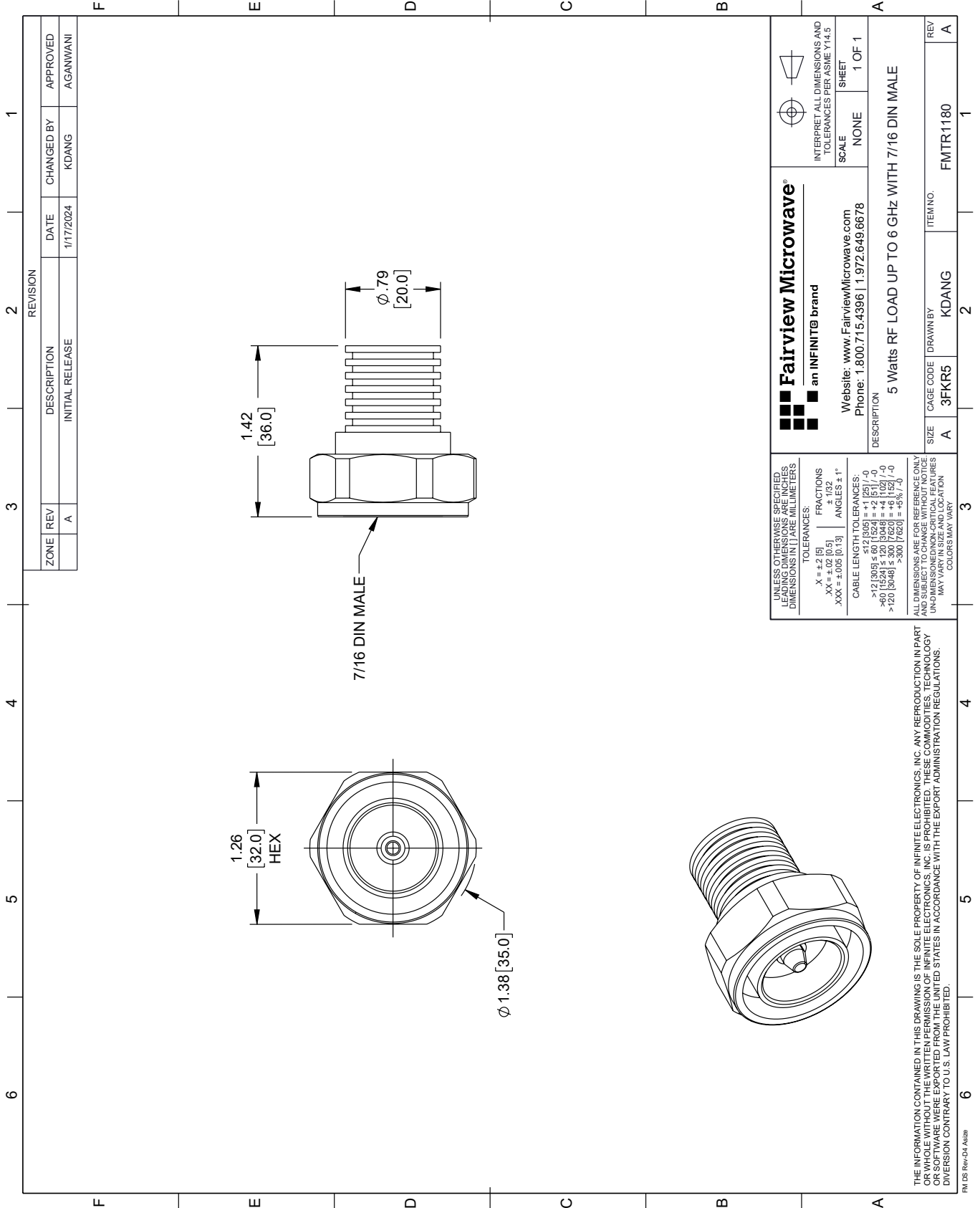
For additional information on this product, please click the following link: [7/16 DIN Male \(Plug\) Termination \(Load\) 5 Watts, DC to 6 GHz, Black Anodized Aluminum FMTR1180](#)

URL: <https://www.fairviewmicrowave.com/rf-load-5-watts-6-ghz-7-16-din-male-fmtr1180-p.aspx>

The information contained within this document is accurate to the best of our knowledge and representative of the part described herein. It may be necessary to make modifications to the part and/or the documentation of the part in order to implement improvements. Fairview Microwave reserves the right to make such changes as required. Unless otherwise stated, all specifications are nominal. Fairview Microwave does not make any representation or warranty regarding the suitability of the part described herein for any particular purpose, and Fairview Microwave does not assume liability arising out of the use of any part or document.

FMTR1180 CAD Drawing

7/16 DIN Male (Plug) Termination (Load) 5 Watts, DC to 6 GHz, Black Anodized Aluminum



REVISION		DATE	CHANGED BY	APPROVED	
ZONE	REV	DESCRIPTION	DATE	CHANGED BY	APPROVED
	A	INITIAL RELEASE	1/17/2024	KDANG	AGANWANI

 Fairview Microwave® an INFINIT® brand		Website: www.FairviewMicrowave.com Phone: 1.800.715.4396 1.972.649.6678	INTERPRET ALL DIMENSIONS AND TOLERANCES PER ASME Y14.5 SCALE: NONE SHEET: 1 OF 1
UNLESS OTHERWISE SPECIFIED, LEADING DIMENSIONS ARE IN INCHES, DIMENSIONS IN [] ARE MILLIMETERS. TOLERANCES: .X = ±.2 [5] .XX = ±.02 [0.5] .XXX = ±.005 [0.13] FRACTIONS ± 1/32 ANGLES ± 1°		DESCRIPTION: 5 Watts RF LOAD UP TO 6 GHz WITH 7/16 DIN MALE	
CABLE LENGTH TOLERANCES: <12 [305] ≤ 60 [1524] = +.1 [25] / -0 >60 [1524] ≤ 120 [3048] = +.4 [102] / -0 >120 [3048] ≤ 300 [7620] = +.8 [20] / -0		ALL DIMENSIONS ARE FOR REFERENCE ONLY. UNDIMENSIONED/NON-CRITICAL FEATURES MAY VARY IN SIZE AND LOCATION. COLORS MAY VARY.	
SIZE	CAGE CODE	DRAWN BY	ITEM NO.
A	3FKR5	KDANG	FMTR1180
REV			A

THE INFORMATION CONTAINED IN THIS DRAWING IS THE SOLE PROPERTY OF INFINITE ELECTRONICS, INC. ANY REPRODUCTION IN PART OR WHOLE WITHOUT THE WRITTEN PERMISSION OF INFINITE ELECTRONICS, INC. IS PROHIBITED. THESE COMMODITIES, TECHNOLOGY OR SOFTWARE WERE EXPORTED FROM THE UNITED STATES IN ACCORDANCE WITH THE EXPORT ADMINISTRATION REGULATIONS. DIVERSION CONTRARY TO U.S. LAW PROHIBITED.

FM DS Rev-D4 Alt2b