

## WR-137 Waveguide Short Plate with 7mm Copper and CPR-137F Flange

FMW137SP7 is a fixed WR-137 waveguide short (shorting plate) with operating frequency range from 5.38 GHz to 8.17 GHz. This waveguide short is fabricated with 7 mm thick aluminum by high precision manufacturing process. FMW137SP7 has the same configuration as CPR-137F flange and provides high reflection short circuit for WR-137 waveguide components. Along with Fairview Microwave's waveguide shim products, the waveguide short is ideal for TRL (Thru, Reflect, Line) calibration for RF test instruments. Fairview Microwave offers a wide selection of waveguide components with high performance available in stock and same-day shipping to customers worldwide.

### Mechanical Specifications

Body Material	Copper
Body Finish	Anticorrosion grey paint
Length	0.276 in [7.01 mm]
Width	2.188 in [55.58 mm]
Height	1.937 in [49.2 mm]
Weight	0.22 lbs [99.79 g]

### Compliance Certifications (see [product page](#) for current document)

WR-137 Waveguide Short Plate with 7mm Copper and CPR-137F Flange from Fairview Microwave is in-stock and available to ship same-day. All of our RF/microwave products are available off-the-shelf from our ISO 9001:2008 certified facilities in Allen, Texas. Fairview Microwave is RF on-demand.

For additional information on this product, please click the following link: [WR-137 Waveguide Short Plate with 7mm Copper and CPR-137F Flange FMW137SP7](#)

URL: <https://www.fairviewmicrowave.com/undefined-url-for-pn-fmw137sp7-fmw137sp7-p.aspx>

The information contained in this document is accurate to the best of our knowledge and representative of the part described herein. It may be necessary to make modifications to the part and/or the documentation of the part, in order to implement improvements. Fairview Microwave reserves the right to make such changes as required. Unless otherwise stated, all specifications are nominal. Fairview Microwave does not make any representation or warranty regarding the suitability of the part described herein for any particular purpose, and Fairview Microwave does not assume any liability arising out of the use of any part or documentation.

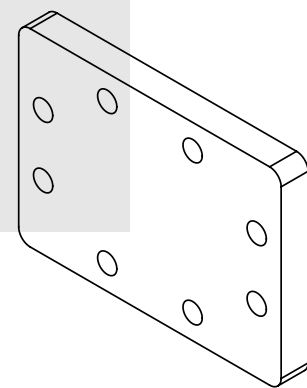
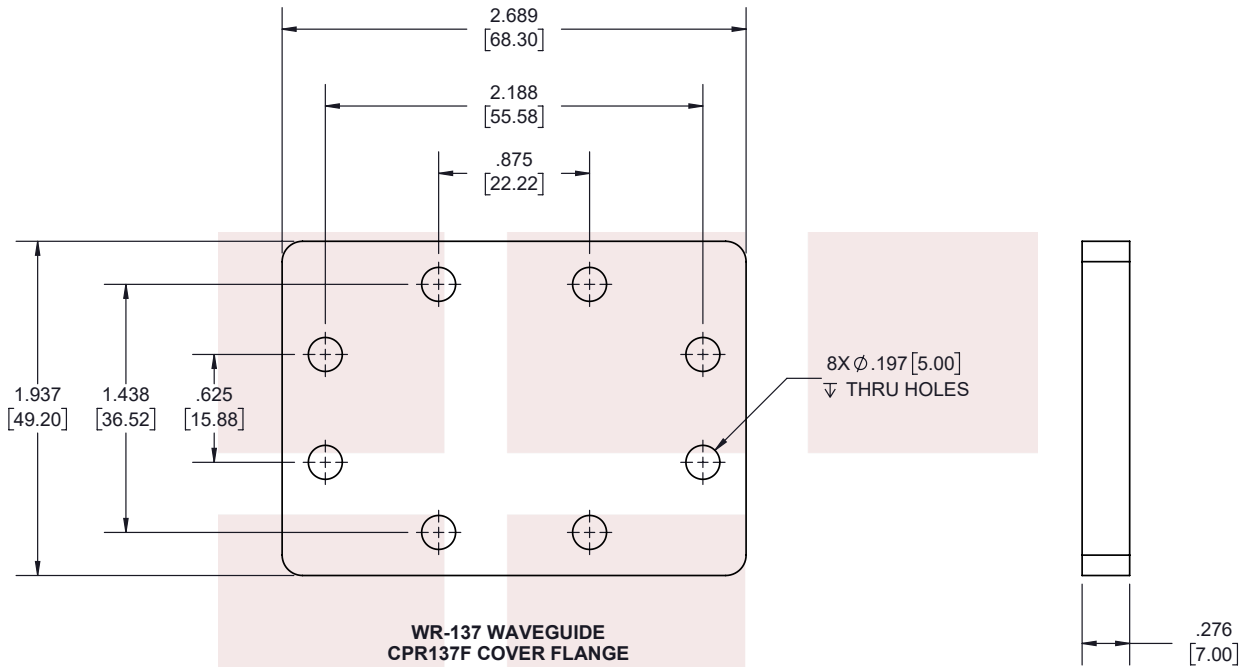


### Features:

- WR-137 Waveguide Short Plate
- CPR-137F Flange Configuration
- Frequency Range: 5.38 GHz to 8.17 GHz
- Min VSWR: 60:1
- 7 mm Thick Aluminum Construction

Fairview Microwave  
301 Leora Ln., Suite 100  
Lewisville, TX 75056  
Tel: 1-800-715-4396 / (972) 649-6678  
Fax: (972) 649-6689  
[www.fairviewmicrowave.com](http://www.fairviewmicrowave.com)  
[sales@fairviewmicrowave.com](mailto:sales@fairviewmicrowave.com)

REVISIONS			
REV.	DESCRIPTION	DATE	APPROVED
A	INITIAL RELEASE	2/3/2020	S.PONG



THESE COMMODITIES, TECHNOLOGY OR SOFTWARE WERE EXPORTED FROM THE UNITED STATES IN ACCORDANCE WITH THE EXPORT ADMINISTRATION REGULATIONS. DIVERSION CONTRARY TO U.S. LAW PROHIBITED.

TITLE  
**WR-137 Waveguide Short Plate with 7mm Copper and CPR-137F Flange**

UNLESS OTHERWISE SPECIFIED LEADING DIMENSIONS ARE INCHES  
DIMENSIONS IN [ ] ARE MILLIMETERS

TOLERANCES:

.X = ±.2 [5.08] FRACTIONS ± 1/32  
.XX = ±.02 [.51] ANGLES ± 1°  
.XXX = ±.005 [.13]

CABLE LENGTH (L) TOLERANCES:

L ≤ 12 [305] = +1 [25] / -0  
12 [305] < L ≤ 60 [1524] = +2 [51] / -0  
60 [1524] < L ≤ 120 [3048] = +4 [102] / -0  
120 [3048] < L ≤ 300 [7620] = +6 [152] / -0  
300 [7620] < L = +5%L / -0

THIRD-ANGLE PROJECTION



THE INFORMATION AND DESIGN IN THIS DOCUMENT IS THE PROPERTY OF FAIRVIEW MICROWAVE CORPORATION. ALL RIGHTS RESERVED.

SHEET 1 OF 1

ALL DIMENSIONS SHOWN ARE FOR REFERENCE ONLY.

SCALE N/A

SIZE <b>A</b>	CAGE CODE <b>3FKR5</b>	DRAWN BY <b>K.DANG</b>	ITEM NO. <b>FMW137SP7</b>	REV <b>A</b>
------------------	---------------------------	---------------------------	------------------------------	-----------------

T-Rev.D