

WR-15 Waveguide Gasket For UG-385/U Round Cover Flanges, Conductive Silicone Elastomer



FMW15CG01

Features

- WR-15
- Conductive
- Silicone Rubber
- For UG-385/U Flanges

Applications

- Satellite Communications
- Radar Systems
- Test and Laboratory Setups

Description

This conductive gasket is designed to connect two waveguide flanges using stainless steel screws and washers. The FMW15CG01 gasket is specifically made for WR-15 UG-385/U waveguide flanges. The gasket itself is made of Conductive Silicone Rubber, providing a durable and flexible seal.

Fairview Microwave has waveguide gaskets (both conductive and non-conductive), screws and other accessories that you need for your waveguides. Often people can forget to order items like screws or waveguide supports. Fairview Microwave has a full line of waveguide accessories available for same day shipment so that you do not have to wait for weeks to get your system working.

Mechanical Specifications

| | |
|---------------|----------------------------|
| Body Material | Conductive Silicone Rubber |
| Length | 0.75 in [19.05 mm] |
| Width | 0.75 in [19.05 mm] |
| Height | 0.03 in [0.76 mm] |
| Weight | 3.5 lbs [1.59 kg] |

Environmental Specifications

| | |
|---------------------------------------|-----------------|
| Temperature Operating Range | -40 to 70 deg C |
|---------------------------------------|-----------------|

Compliance Certifications (see [product page](#) for current document)

WR-15 Waveguide Gasket For UG-385/U Round Cover Flanges, Conductive Silicone Elastomer from Fairview Microwave is in-stock and available to ship same-day. All of our RF/microwave products are available off-the-shelf from our ISO 9001:2008 certified facilities in Lewisville, Texas. Fairview Microwave is RF on-demand.

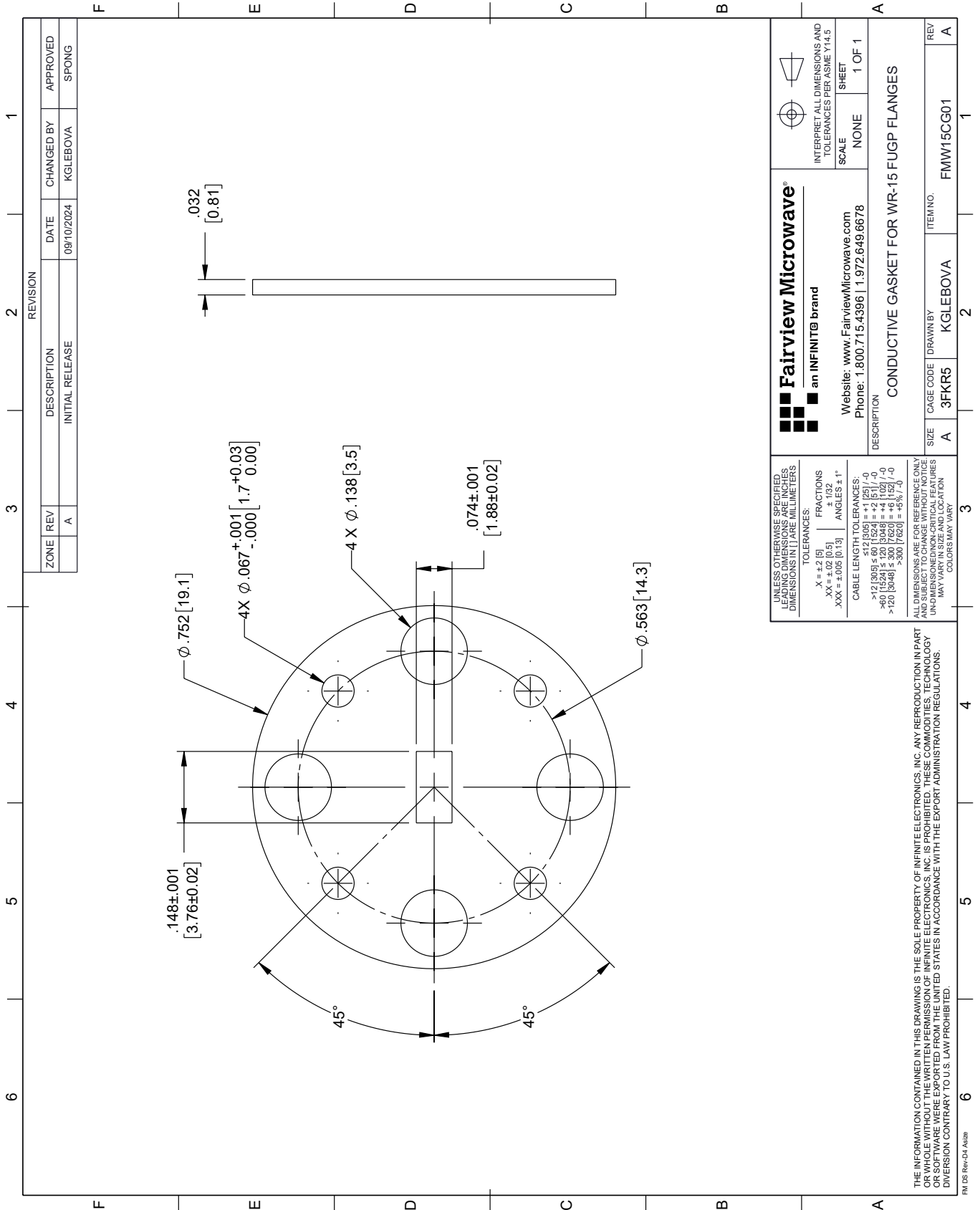
For additional information on this product, please click the following link: [WR-15 Waveguide Gasket For UG-385/U Round Cover Flanges, Conductive Silicone Elastomer FMW15CG01](#)

URL: <https://www.fairviewmicrowave.com/wr-15-waveguide-gasket-for-ug-385-u-flanges-conductive-silicone-elastomer-fmw15cg01-p.aspx>

The information contained within this document is accurate to the best of our knowledge and representative of the part described herein. It may be necessary to make modifications to the part and/or the documentation of the part in order to implement improvements. Fairview Microwave reserves the right to make such changes as required. Unless otherwise stated, all specifications are nominal. Fairview Microwave does not make any representation or warranty regarding the suitability of the part described herein for any particular purpose, and Fairview Microwave does not assume liability arising out of the use of any part or document.

FMW15CG01 CAD Drawing

WR-15 Waveguide Gasket For UG-385/U Round Cover Flanges, Conductive Silicone Elastomer



| REVISION | | DATE | CHANGED BY | APPROVED | |
|----------|-----|-----------------|------------|------------|----------|
| ZONE | REV | DESCRIPTION | DATE | CHANGED BY | APPROVED |
| | A | INITIAL RELEASE | 09/10/2024 | KGLEBOVA | SPONG |

Fairview Microwave
an INFINITI[®] brand

Website: www.FairviewMicrowave.com
Phone: 1.800.715.4396 | 1.972.649.6678

UNLESS OTHERWISE SPECIFIED, LEADING DIMENSIONS ARE IN INCHES. DIMENSIONS IN [] ARE MILLIMETERS.

TOLERANCES:
 .X = ±.2 [5] FRACTIONS ± 1/32
 .XX = ±.02 [0.5] ANGLES ± 1°
 .XXX = ±.005 [0.13]

CABLE LENGTH TOLERANCES:
 <12 [305] ≤ 60 [1524] = +.1 [25] / -0
 >60 [1524] ≤ 120 [3048] = +.4 [102] / -0
 >120 [3048] ≤ 300 [7620] = +.8 [20] / -0
 >300 [7620] = +.8 [20] / -0

ALL DIMENSIONS ARE FOR REFERENCE ONLY. UNDIMENSIONED NON-CRITICAL FEATURES MAY VARY IN SIZE AND LOCATION. COLORS MAY VARY.

FAIRVIEW MICROWAVE, INC. IS PROHIBITED FROM EXPORTING THIS DRAWING TO THE UNITED STATES IN ACCORDANCE WITH THE EXPORT ADMINISTRATION REGULATIONS. DIVISION CONTRARY TO U.S. LAW PROHIBITED.

| DESCRIPTION | SIZE | CAGE CODE | DRAWN BY | ITEM NO. |
|--|------|-----------|----------|-----------|
| CONDUCTIVE GASKET FOR WR-15 FUGP FLANGES | A | 3FKR5 | KGLEBOVA | FMW15CG01 |

INTERPRET ALL DIMENSIONS AND TOLERANCES PER ASME Y14.5

SCALE: NONE

SHEET: 1 OF 1