

WR-22 90 Degree Waveguide Twist Using a UG-383/U Flange and a 33 GHz to 50 GHz Frequency Range

The FMW22TW001 is a 90 degree waveguide twist that is part of a family of precision manufactured twists with round flange per MIL-DTL-85. The family includes right and left hand 45 degree twists as well as 90 degree twists. These twists are offered in the Ka through W waveguide bands.

Electrical Specifications

Description	Min	Typ	Max	Units
Frequency Range	33		50	GHz
VSWR			1.15:1	
Insertion Loss			0.25	dB

Mechanical Specifications

Waveguide Size WR-22
 Section Length 1.96 in [49.78 mm]

Description	Flange 1	Waveguide	Flange 2
Interface	UG-383/U	WR-22	UG-383/U
Material	Copper	Copper	Copper
Plating	Gold	Gold	Gold
Color	Gold	Gold	Gold

Compliance Certifications (see [product page](#) for current document)

Plotted and Other Data

Notes:

- Notes, Plotted Data

WR-22 90 Degree Waveguide Twist Using a UG-383/U Flange and a 33 GHz to 50 GHz Frequency Range from Fairview Microwave is in-stock and available to ship same-day. All of our RF/microwave products are available off-the-shelf from our ISO 9001:2008 certified facilities in Allen, Texas. Fairview Microwave is RF on-demand.

For additional information on this product, please click the following link: [WR-22 90 Degree Waveguide Twist Using a UG-383/U Flange and a 33 GHz to 50 GHz Frequency Range FMW22TW001](#)

URL: <https://www.fairviewmicrowave.com/wr-22-90-waveguide-twist-ug383-33-50-ghz-fmw22tw001-p.aspx>

The information contained in this document is accurate to the best of our knowledge and representative of the part described herein. It may be necessary to make modifications to the part and/or the documentation of the part, in order to implement improvements. Fairview Microwave reserves the right to make such changes as required. Unless otherwise stated, all specifications are nominal. Fairview Microwave does not make any representation or warranty regarding the suitability of the part described herein for any particular purpose, and Fairview Microwave does not assume any liability arising out of the use of any part or documentation.



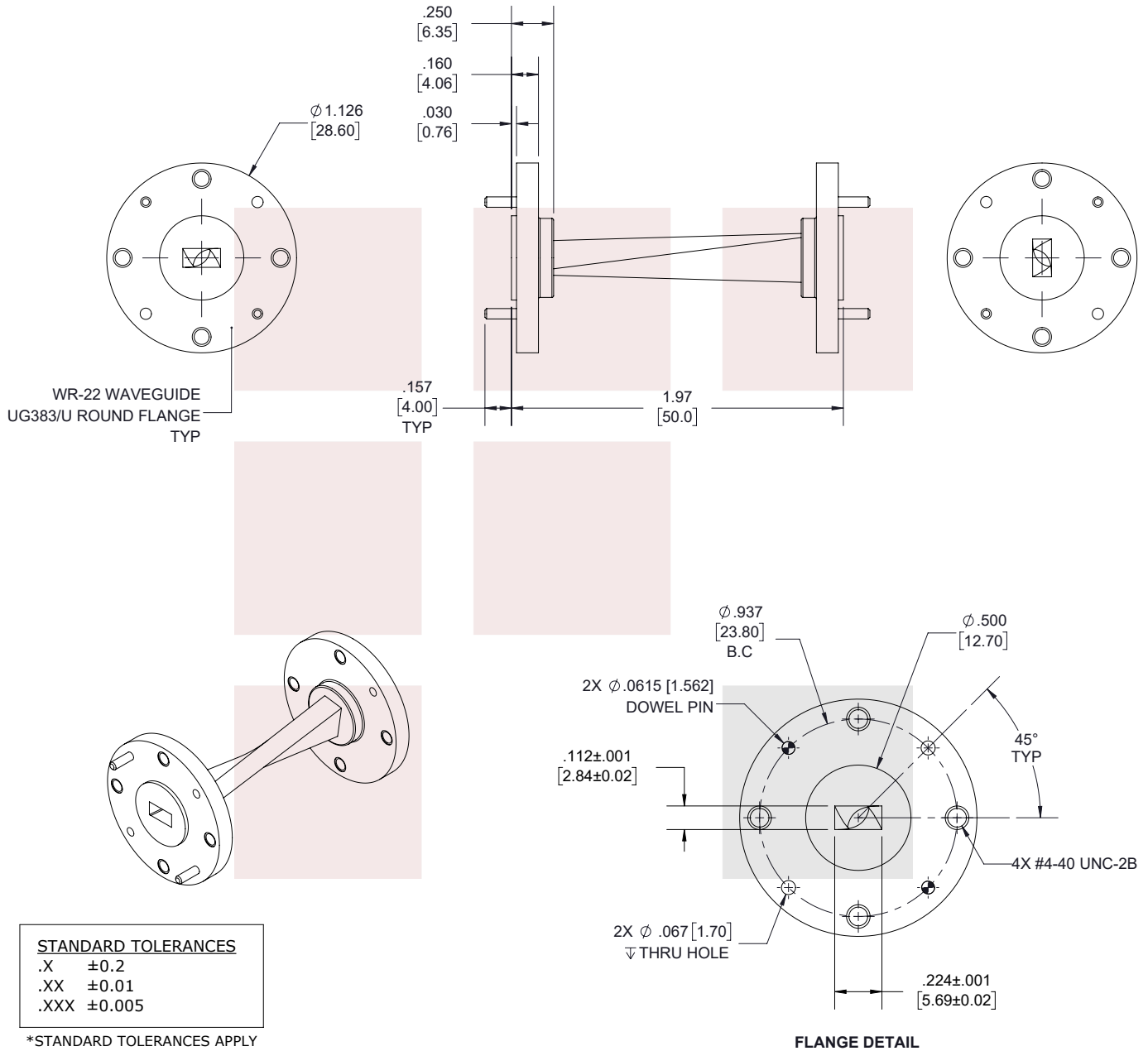
Features:

- WR-22 Waveguide
- 33 to 50 GHz Frequency Range
- UG-383/U Flange
- 1.15:1 Maximum VSWR
- 90° Twist

Applications:

- Instrumentation
- Precision measurements
- Prototyping and Characterization
- Production Systems

Fairview Microwave
 301 Leora Ln., Suite 100
 Lewisville, TX 75056
 Tel: 1-800-715-4396 / (972) 649-6678
 Fax: (972) 649-6689
www.fairviewmicrowave.com
sales@fairviewmicrowave.com



STANDARD TOLERANCES	
.X	±0.2
.XX	±0.01
.XXX	±0.005

*STANDARD TOLERANCES APPLY ONLY TO DIMENSIONS IN INCHES

<p>Fairview Microwave an INFINIT[®] brand</p>		<p>NOTES: 1. UNLESS OTHERWISE SPECIFIED ALL DIMENSIONS ARE NOMINAL. 2. ALL SPECIFICATIONS ARE SUBJECT TO CHANGE WITHOUT NOTICE AT ANY TIME. 3. DIMENSIONS ARE IN INCHES [mm].</p>			
TITLE		DWG NO		CAGE CODE	
WR-22 90 Degree Waveguide Twist Using a UG-383/U Flange and a 33 GHz to 50 GHz Frequency Range		FMW22TW001		3FKR5	
CAD FILE	07/05/19	SHEET	1 OF 1	SCALE	N/A
			SIZE	A	7361