

WR-28 Waveguide Termination 100 Watts with a 26.5 GHz to 40 GHz Frequency Range, Brass with UG Style Flange

The FMW28TR1005 is a WR-28 waveguide termination/load that operates in the frequency range of 26.5 GHz to 40 GHz. This WR-28 waveguide termination has a Max VSWR of 1.25:1. This waveguide termination design is made of painted brass and incorporates a standard UG Square Cover flange. In addition to waveguide termination product line, Fairview Microwave also offers a wide range of waveguide products which are available in stock and ready for same-day shipment.

Electrical Specifications

Description	Min	Typ	Max	Units
Frequency Range	26.5		40	GHz
VSWR			1.25:1	
Input Power (CW)			100	Watts

Mechanical Specifications

Size

Length	5.31 in [134.87 mm]
Width/Dia.	1.5 in [38.1 mm]
Height	1.5 in [38.1 mm]

Description	Flange	Waveguide
Designation	UG-599/U	WR-28
Type	Square Cover	
Material	Brass	Brass
Plating	Passivated	Passivated
Finish		Grey paint

Environmental Specifications

Temperature

Operating Range	-40 to +70 deg C
-----------------	------------------

Compliance Certifications (see [product page](#) for current document)

Plotted and Other Data

Notes:



Features:

- WR-28 Waveguide
- Operating Frequency Range from 26.5 GHz to 40 GHz
- UG Square Cover Flange
- 1.25:1 Max VSWR
- 100 Watts Average Power Handling

Applications:

- Radar Systems
- Military and Space
- Wireless Radio Systems
- Telecom Infrastructure
- Communication Systems
- R&D Labs
- Microwave Radio Systems

Fairview Microwave
 301 Leora Ln., Suite 100
 Lewisville, TX 75056
 Tel: 1-800-715-4396 / (972) 649-6678
 Fax: (972) 649-6689
www.fairviewmicrowave.com
sales@fairviewmicrowave.com

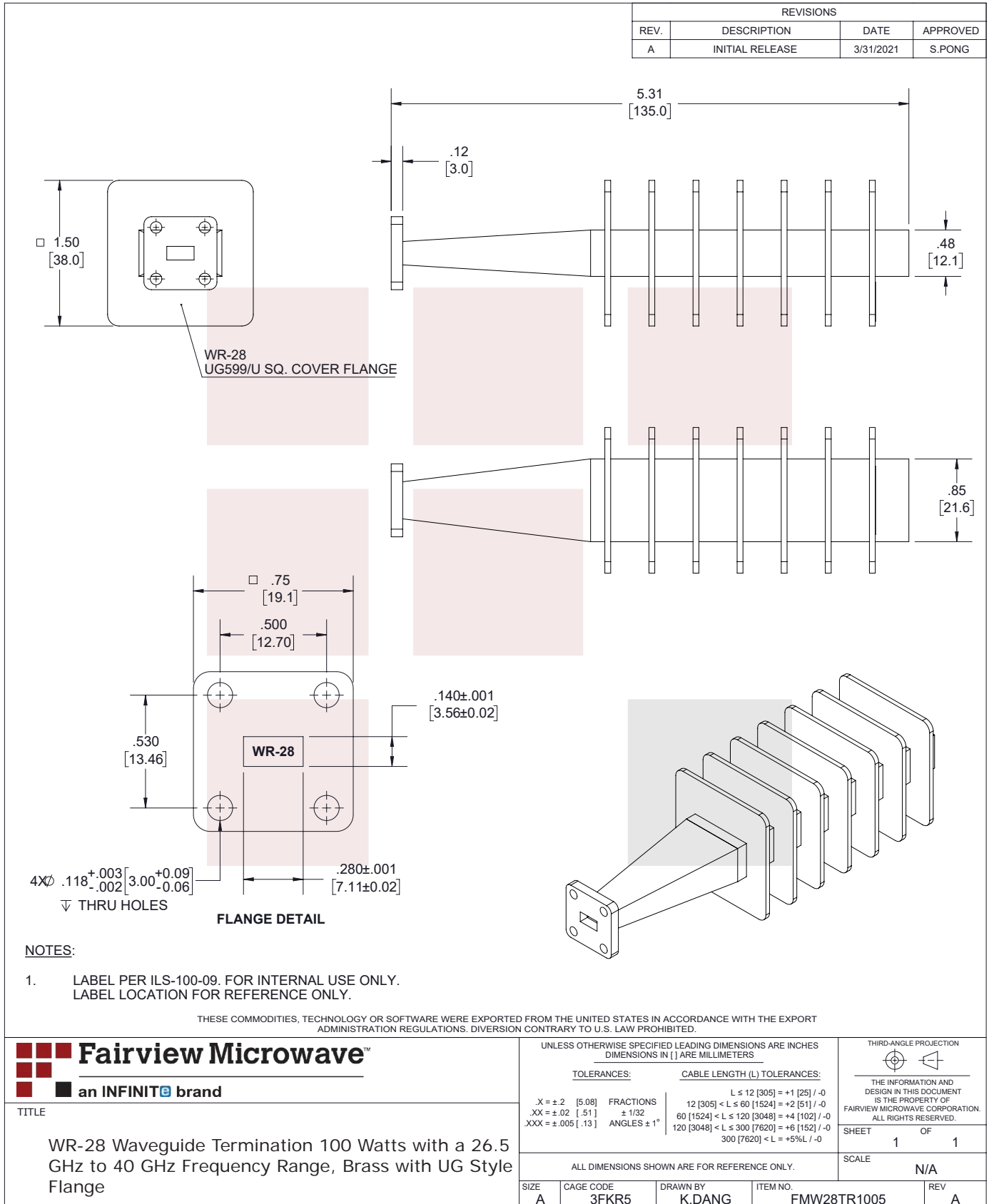
WR-28 Waveguide Termination 100 Watts with a 26.5 GHz to 40 GHz Frequency Range, Brass with UG Style Flange from Fairview Microwave is in-stock and available to ship same-day. All of our RF/microwave products are available off-the-shelf from our ISO 9001:2008 certified facilities in Lewisville, Texas. Fairview Microwave is RF on-demand.

For additional information on this product, please click the following link: [WR-28 Waveguide Termination 100 Watts with a 26.5 GHz to 40 GHz Frequency Range, Brass with UG Style Flange FMW28TR1005](#)

URL: <https://www.fairviewmicrowave.com/wr-28-waveguide-termination-100-watts-instrumentation-grade-26.5-40-ghz-fmw28tr1005-p.aspx>

The information contained in this document is accurate to the best of our knowledge and representative of the part described herein. It may be necessary to make modifications to the part and/or the documentation of the part, in order to implement improvements. Fairview Microwave reserves the right to make such changes as required. Unless otherwise stated, all specifications are nominal. Fairview Microwave does not make any representation or warranty regarding the suitability of the part described herein for any particular purpose, and Fairview Microwave does not assume any liability arising out of the use of any part or documentation.





T-Rev.D