

WR-34 Waveguide Short Plate with 4mm Copper and UG-Cover Square Flange

FMW34SP4 is a fixed WR-34 waveguide short (shorting plate) with operating frequency range from 21.7 GHz to 33 GHz. This waveguide short is fabricated with 4 mm thick copper by high precision manufacturing process. FMW34SP4 has a Square UG-Cover configuration and provides high reflection short circuit for WR-34 waveguide components. Along with Fairview Microwave's waveguide shim products, the waveguide short is ideal for TRL (Thru, Reflect, Line) calibration for RF test instruments. Fairview Microwave offers a wide selection of waveguide components with high performance available in stock and same-day shipping to customers worldwide.

Mechanical Specifications

Body Material	Copper
Body Finish	Gold Plating
Length	0.158 in [4.01 mm]
Width	0.874 in [22.2 mm]
Height	0.874 in [22.2 mm]
Weight	0.033 lbs [14.97 g]

Compliance Certifications (see [product page](#) for current document)

WR-34 Waveguide Short Plate with 4mm Copper and UG-Cover Square Flange from Fairview Microwave is in-stock and available to ship same-day. All of our RF/microwave products are available off-the-shelf from our ISO 9001:2008 certified facilities in Lewisville, Texas. Fairview Microwave is RF on-demand.

For additional information on this product, please click the following link: [WR-34 Waveguide Short Plate with 4mm Copper and UG-Cover Square Flange FMW34SP4](#)

URL: <https://www.fairviewmicrowave.com/undefined-url-for-pn-fmw34sp4-fmw34sp4-p.aspx>

The information contained in this document is accurate to the best of our knowledge and representative of the part described herein. It may be necessary to make modifications to the part and/or the documentation of the part, in order to implement improvements. Fairview Microwave reserves the right to make such changes as required. Unless otherwise stated, all specifications are nominal. Fairview Microwave does not make any representation or warranty regarding the suitability of the part described herein for any particular purpose, and Fairview Microwave does not assume any liability arising out of the use of any part or documentation.

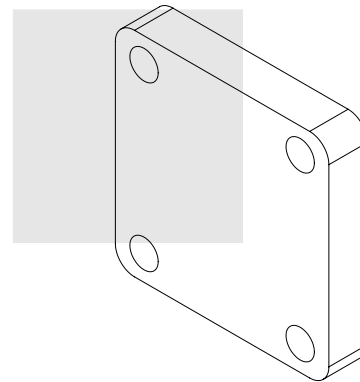
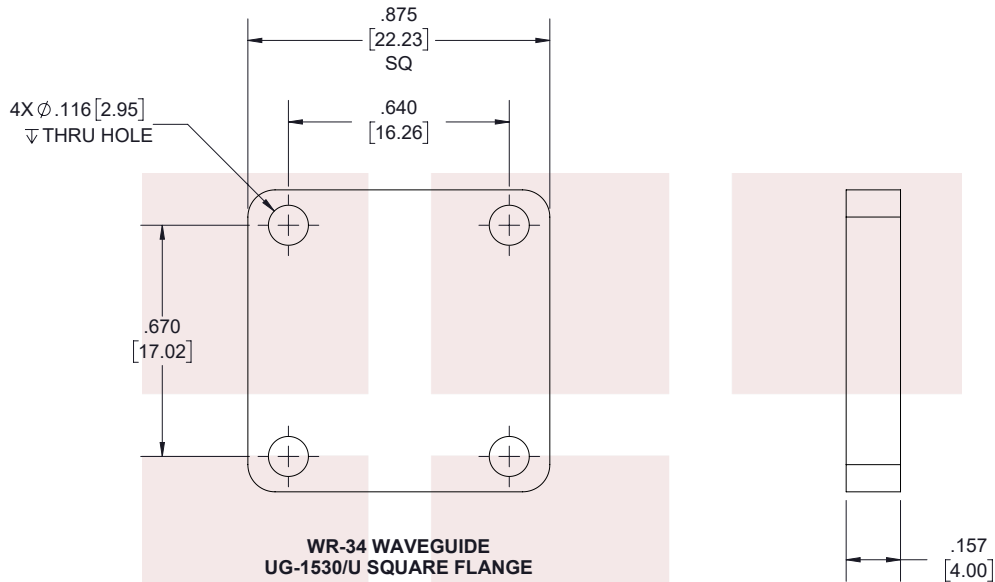


Features:

- WR-34 Waveguide Short Plate
- Square UG-Cover Flange Configuration
- Frequency Range: 21.7 GHz to 33 GHz
- Min VSWR: 60:1
- 4 mm Thick Copper Construction

Fairview Microwave
301 Leora Ln., Suite 100
Lewisville, TX 75056
Tel: 1-800-715-4396 / (972) 649-6678
Fax: (972) 649-6689
www.fairviewmicrowave.com
sales@fairviewmicrowave.com

REVISIONS			
REV.	DESCRIPTION	DATE	APPROVED
B	PCR FMW34SP4	6/15/2020	S.PONG



THESE COMMODITIES, TECHNOLOGY OR SOFTWARE WERE EXPORTED FROM THE UNITED STATES IN ACCORDANCE WITH THE EXPORT ADMINISTRATION REGULATIONS. DIVERSION CONTRARY TO U.S. LAW PROHIBITED.

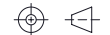
TITLE
WR-34 Waveguide Short Plate with 4mm Copper and UG-Cover Square Flange

UNLESS OTHERWISE SPECIFIED LEADING DIMENSIONS ARE INCHES
DIMENSIONS IN [] ARE MILLIMETERS

TOLERANCES: CABLE LENGTH (L) TOLERANCES:

.X = ±.2 [5.08]	FRACTIONS	L ≤ 12 [305] = +1 [25] / -0
.XX = ±.02 [.51]	± 1/32	12 [305] < L ≤ 60 [1524] = +2 [51] / -0
.XXX = ±.005 [.13]	ANGLES ± 1°	60 [1524] < L ≤ 120 [3048] = +4 [102] / -0
		120 [3048] < L ≤ 300 [7620] = +6 [152] / -0
		300 [7620] < L = +5%L / -0

THIRD-ANGLE PROJECTION



THE INFORMATION AND DESIGN IN THIS DOCUMENT IS THE PROPERTY OF FAIRVIEW MICROWAVE CORPORATION. ALL RIGHTS RESERVED.

SHEET 1 OF 1

ALL DIMENSIONS SHOWN ARE FOR REFERENCE ONLY.

SCALE N/A

SIZE A	CAGE CODE 3FKR5	DRAWN BY K.DANG	ITEM NO. FMW34SP4	REV A
-----------	--------------------	--------------------	----------------------	----------

T-Rev.D