

## WR-5 Waveguide H-Bend Instrumentation Grade Using UG-383/U-Mod Flange with a 140 GHz to 220 GHz Frequency Range

Fairview's Microwave FMW5B0001 is an H-Plane, 90 degree, WR-5 waveguide bend that operates from 140 GHz to 220 GHz. This waveguide bend offers a typical 1.15 VSWR. The input of this straight waveguide section has a UG-387/U-M Flange. FMW5B0001 is part of over 40,000 RF, microwave and millimeter wave components. Our instrumentation grade WR-5 waveguide bend will ship worldwide the same day it is purchased along with our other RF components.



### Electrical Specifications\*

Description	Min	Typ	Max	Units
Frequency Range	140		220	GHz
VSWR		1.15:1		

\* Values at 25°C, sea level

### Features:

- 90° Bend
- H-Plane
- WR-5 Waveguide
- UG-387/U-M Flange
- 140 GHz to 220 GHz Frequency Range
- Comprehensive waveguide offering also includes Straight Sections, H-Bends, Waveguide to Coax Adapters, Filters, Terminations, and more.

### Mechanical Specifications

Waveguide Size	WR-5
Waveguide Design	Instrumentation Grade
<b>Flange 1</b>	
Flange Type	Round Cover
Flange Designation	UG-383/U-Mod
Material	Oxygen Free Hard Copper
Plating	Gold
<b>Waveguide</b>	
Interface	WR-5
Material	Oxygen Free Hard Copper
Plating	Gold
<b>Flange 2</b>	
Flange Type	Round Cover
Flange Designation	UG-383/U-Mod
Material	Oxygen Free Hard Copper
Plating	Gold
<b>Size</b>	
Weight	0.044 lbs [19.96 g]

**Compliance Certifications** (see [product page](#) for current document)

### Plotted and Other Data

Notes:

- Values at 25 °C, sea level

Fairview Microwave  
 301 Leora Ln., Suite 100  
 Lewisville, TX 75056  
 Tel: 1-800-715-4396 / (972) 649-6678  
 Fax: (972) 649-6689  
[www.fairviewmicrowave.com](http://www.fairviewmicrowave.com)  
[sales@fairviewmicrowave.com](mailto:sales@fairviewmicrowave.com)

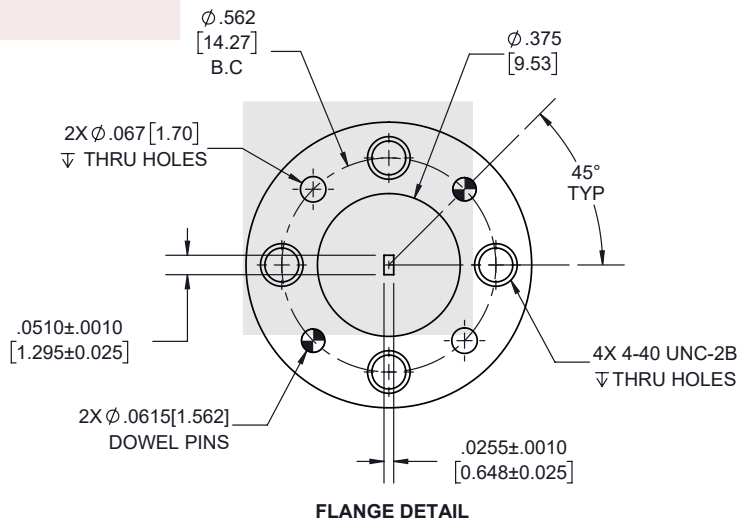
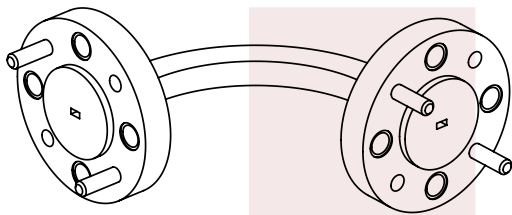
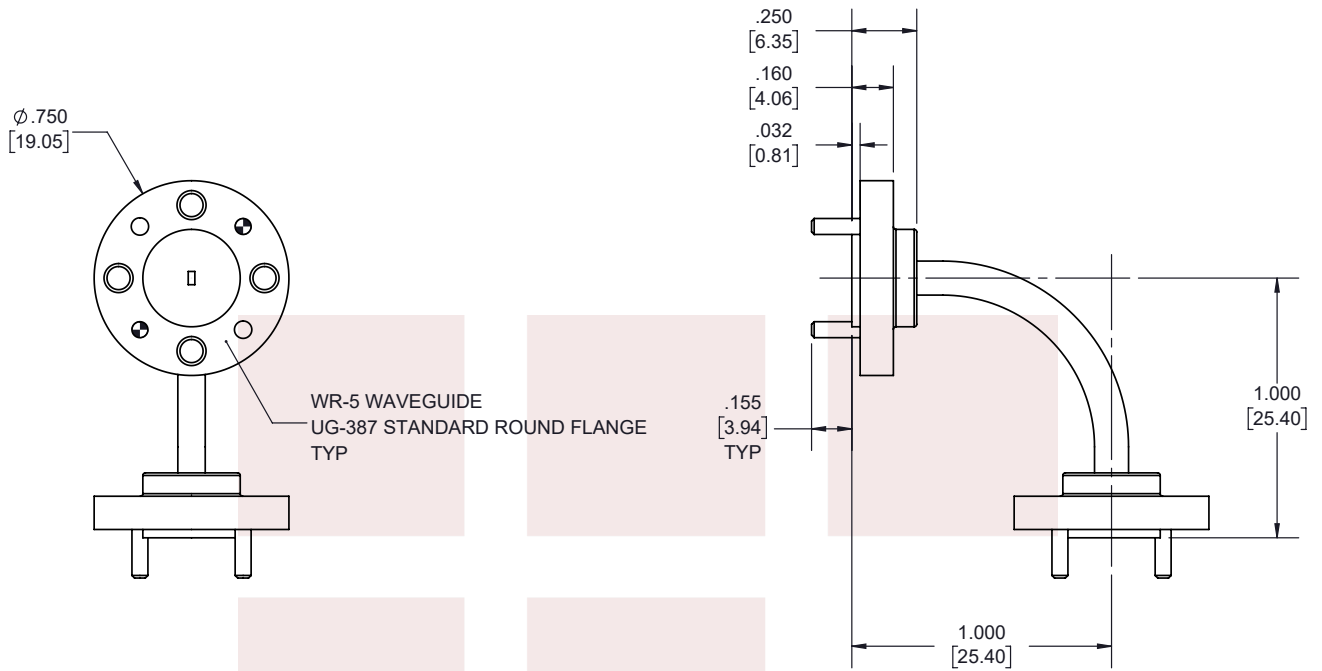
WR-5 Waveguide H-Bend Instrumentation Grade Using UG-383/U-Mod Flange with a 140 GHz to 220 GHz Frequency Range from Fairview Microwave is in-stock and available to ship same-day. All of our RF/microwave products are available off-the-shelf from our ISO 9001:2008 certified facilities in Lewisville, Texas. Fairview Microwave is RF on-demand.

For additional information on this product, please click the following link: [WR-5 Waveguide H-Bend Instrumentation Grade Using UG-383/U-Mod Flange with a 140 GHz to 220 GHz Frequency Range FMW5B0001](#)

URL: <https://www.fairviewmicrowave.com/wr-5-waveguide-h-bend-ug-383-u-mod-flange-140-220-ghz-fmw5b0001-p.aspx>

The information contained in this document is accurate to the best of our knowledge and representative of the part described herein. It may be necessary to make modifications to the part and/or the documentation of the part, in order to implement improvements. Fairview Microwave reserves the right to make such changes as required. Unless otherwise stated, all specifications are nominal. Fairview Microwave does not make any representation or warranty regarding the suitability of the part described herein for any particular purpose, and Fairview Microwave does not assume any liability arising out of the use of any part or documentation.





**STANDARD TOLERANCES**

.X ±0.2  
.XX ±0.01  
.XXX ±0.005

\*STANDARD TOLERANCES APPLY ONLY TO DIMENSIONS IN INCHES

<p><b>Fairview Microwave</b> an INFINIT<sup>®</sup> brand</p>		<p>NOTES: 1. UNLESS OTHERWISE SPECIFIED ALL DIMENSIONS ARE NOMINAL. 2. ALL SPECIFICATIONS ARE SUBJECT TO CHANGE WITHOUT NOTICE AT ANY TIME. 3. DIMENSIONS ARE IN INCHES [mm].</p>						
<p>TITLE</p> <p>WR-5 Waveguide H-Bend Instrumentation Grade Using UG-383/U-Mod Flange with a 140 GHz to 220 GHz Frequency Range</p>		<p>DWG NO</p> <p>FMW5B0001</p>		<p>CAGE CODE</p> <p>3FKR5</p>				
CAD FILE	08/05/19	SHEET	1 OF 1	SCALE	N/A	SIZE	A	7361