

## WR-28 Waveguide Attenuator Fixed 5 dB Operating from 26.5 GHz to 40 GHz, UG-599/U Square Cover Flange

FMWAT1005-5 is a WR-28 waveguide attenuator with 5 dB fixed attenuation, operating in the 26.5 to 40 GHz (Ka band) frequency range. The attenuator uses an UG-599/U Square Cover flange that is Gold Plated Brass. Fairview offers standard mid-band tuned Waveguide Fixed Attenuators with attenuation values of 1 to 30 dB in 1dB steps. Better attenuation flatness and accuracy can be achieved with additional tuning within a narrow band upon request.

### Electrical Specifications

Description	Min	Typ	Max	Units
Frequency Range	26.5		40	GHz
Nominal Attenuation		5		dB
VSWR		1.4:1		

### Mechanical Specifications

Description	Flange 1	Waveguide	Flange 2
Interface	UG-599/U	WR-28	UG-599/U
Material	Brass	Brass	Brass
Plating	Gold	Gold	Gold

**Compliance Certifications** (see [product page](#) for current document)

### Plotted and Other Data

Notes:

WR-28 Waveguide Attenuator Fixed 5 dB Operating from 26.5 GHz to 40 GHz, UG-599/U Square Cover Flange from Fairview Microwave is in-stock and available to ship same-day. All of our RF/microwave products are available off-the-shelf from our ISO 9001:2008 certified facilities in Allen, Texas. Fairview Microwave is RF on-demand.

For additional information on this product, please click the following link: [WR-28 Waveguide Attenuator Fixed 5 dB Operating from 26.5 GHz to 40 GHz, UG-599/U Square Cover Flange FMWAT1005-5](#)

URL: <https://www.fairviewmicrowave.com/wr-28-waveguide-attenuator-fixed-5db-40ghz-fmwat1005-5-p.aspx>

The information contained in this document is accurate to the best of our knowledge and representative of the part described herein. It may be necessary to make modifications to the part and/or the documentation of the part, in order to implement improvements. Fairview Microwave reserves the right to make such changes as required. Unless otherwise stated, all specifications are nominal. Fairview Microwave does not make any representation or warranty regarding the suitability of the part described herein for any particular purpose, and Fairview Microwave does not assume any liability arising out of the use of any part or documentation.



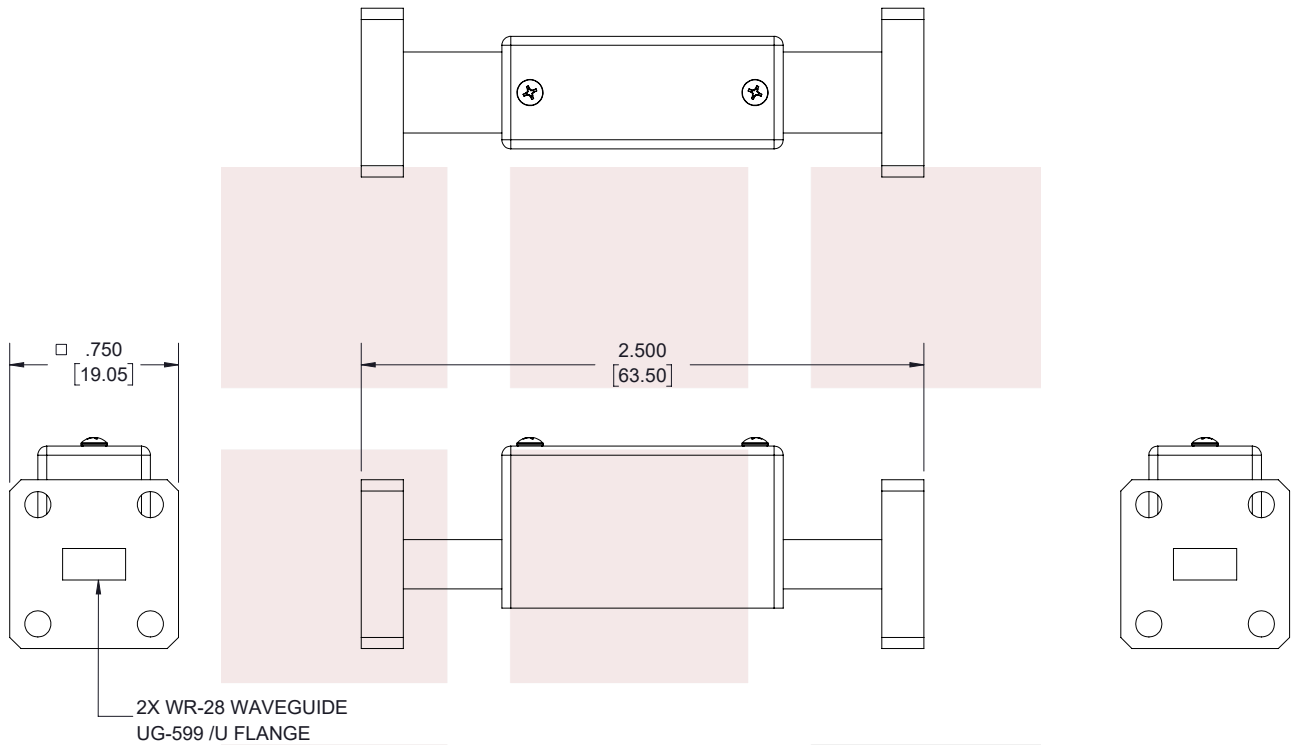
### Features:

- WR-28 Waveguide
- Frequency Range 26.5 to 40 GHz
- 5 dB fixed attenuation at center frequency
- UG-599/U Square Cover Flange
- Gold Plated Brass

### Applications:

- Instrumentation
- System Calibration
- Research and Development
- Test Benches

Fairview Microwave  
 301 Leora Ln., Suite 100  
 Lewisville, TX 75056  
 Tel: 1-800-715-4396 / (972) 649-6678  
 Fax: (972) 649-6689  
[www.fairviewmicrowave.com](http://www.fairviewmicrowave.com)  
[sales@fairviewmicrowave.com](mailto:sales@fairviewmicrowave.com)

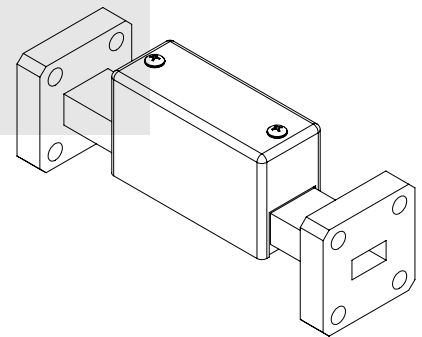


LABEL:

**FAIRVIEW MICROWAVE**  
www.FAIRVIEWMICROWAVE.com  
**FMWAT1005-5**

**STANDARD TOLERANCES**  
.X ±0.2  
.XX ±0.01  
.XXX ±0.005

\*STANDARD TOLERANCES APPLY ONLY TO DIMENSIONS IN INCHES



<p><b>FAIRVIEW MICROWAVE INC.</b> ALLEN, TX 75013 WWW.FAIRVIEWMICROWAVE.COM</p>		<p>NOTES: 1. UNLESS OTHERWISE SPECIFIED ALL DIMENSIONS ARE NOMINAL. 2. ALL SPECIFICATIONS ARE SUBJECT TO CHANGE WITHOUT NOTICE AT ANY TIME. 3. DIMENSIONS ARE IN INCHES [mm].</p>			
<p>TITLE WR-28 Waveguide Attenuator Fixed 5 dB Operating from 26.5 GHz to 40 GHz, UG-599/U Square Cover Flange</p>		<p>DWG NO FMWAT1005-5</p>		<p>CAGE CODE 3FKR5</p>	
CAD FILE	101317	SHEET	1 OF 1	SCALE	N/A
				SIZE	A
					7361