

WR-34 to 2.92mm Female Waveguide to Coax Adapter UG-1530/U Square Cover Standard with 22 GHz to 33 GHz in Copper, Paint

The FMWCA1001 is a waveguide to coaxial adapter operating in the 22 to 33 GHz frequency range. This adapter offers a WR-34 waveguide interface size using a standard Square Cover Flange. The FMWCA1001 is constructed of Copper Alloy and painted to ensure durability. The coaxial connector offered by this adapter uses a 2.92mm Female Nickel Plated Brass Connector.

Configuration

Waveguide Size	WR-34
Flange	UG-1530/U Square Cover
RF Connector	2.92mm Female
Impedance	50 Ohms
Body Geometry	Right Angle

Electrical Specifications

Description	Min	Typ	Max	Units
Frequency Range	22		33	GHz
VSWR		1.25:1		

Mechanical Specifications

Weight 0.08 lbs [36.29 g]

RF Connector

Connector Type 2.92mm Female
Body Material and Plating Brass, Nickel

Waveguide Interface

Waveguide Type WR-34
Flange Type Square Cover
Flange Designation UG-1530/U
Body Material and Plating Copper, Paint

Compliance Certifications (see [product page](#) for current document)

Plotted and Other Data

Notes:

- Values at +25 °C, sea level unless stated otherwise



Features:

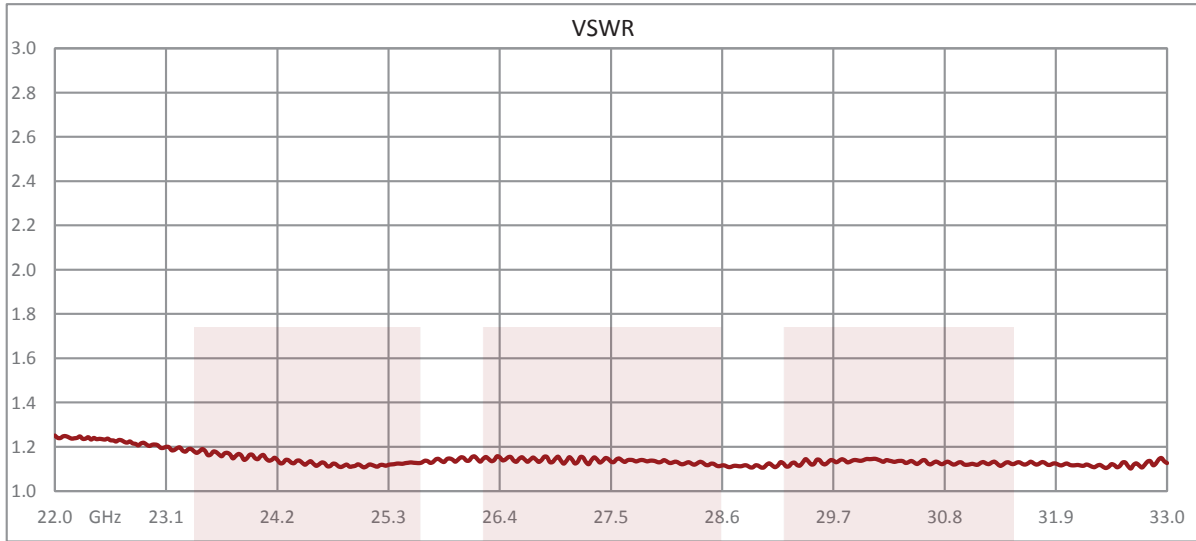
- 22 to 33 GHz Frequency Range
- WR-34 Waveguide Interface
- UG-1530/U Square Cover Flange
- 2.92mm Female RF Interface

Applications:

- Test Benches
- Radar
- Satellite
- Microwave Radio Systems
- Military and Space
- Communication Systems

Fairview Microwave
301 Leora Ln., Suite 100
Lewisville, TX 75056
Tel: 1-800-715-4396 / (972) 649-6678
Fax: (972) 649-6689
www.fairviewmicrowave.com
sales@fairviewmicrowave.com

Typical Performance Data



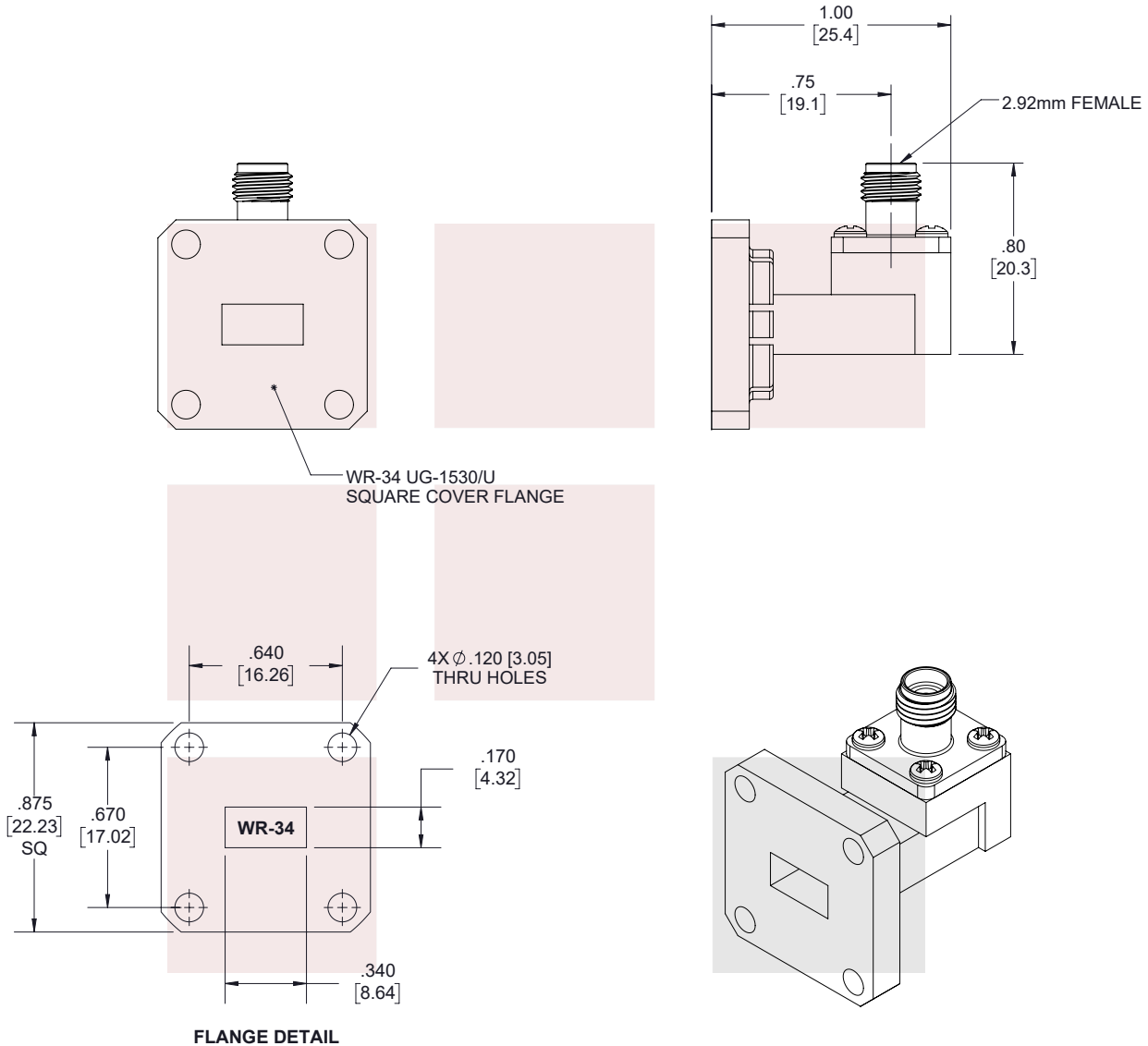
WR-34 to 2.92mm Female Waveguide to Coax Adapter UG-1530/U Square Cover Standard with 22 GHz to 33 GHz in Copper, Paint from Fairview Microwave is in-stock and available to ship same-day. All of our RF/microwave products are available off-the-shelf from our ISO 9001:2008 certified facilities in Lewisville, Texas. Fairview Microwave is RF on-demand.

For additional information on this product, please click the following link: [WR-34 to 2.92mm Female Waveguide to Coax Adapter UG-1530/U Square Cover Standard with 22 GHz to 33 GHz in Copper, Paint FMWCA1001](#)

URL: <https://www.fairviewmicrowave.com/wr-34-2.92mm-female-waveguide-coax-adapter-ug1530-square-33-ghz-fmw-ca1001-p.aspx>

The information contained in this document is accurate to the best of our knowledge and representative of the part described herein. It may be necessary to make modifications to the part and/or the documentation of the part, in order to implement improvements. Fairview Microwave reserves the right to make such changes as required. Unless otherwise stated, all specifications are nominal. Fairview Microwave does not make any representation or warranty regarding the suitability of the part described herein for any particular purpose, and Fairview Microwave does not assume any liability arising out of the use of any part or documentation.

REVISIONS			
REV.	DESCRIPTION	DATE	APPROVED
B	PCR FMWCA1001 20210727	08/09/2021	S.PONG



THESE COMMODITIES, TECHNOLOGY OR SOFTWARE WERE EXPORTED FROM THE UNITED STATES IN ACCORDANCE WITH THE EXPORT ADMINISTRATION REGULATIONS. DIVERSION CONTRARY TO U.S. LAW PROHIBITED.

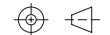
TITLE
WR-34 to 2.92mm Female Waveguide to Coax Adapter
UG-1530/U Square Cover Standard with 22 GHz to 33
GHz in Copper, Paint

UNLESS OTHERWISE SPECIFIED LEADING DIMENSIONS ARE INCHES
DIMENSIONS IN [] ARE MILLIMETERS

TOLERANCES: CABLE LENGTH (L) TOLERANCES:

.X = ±.2 [5.08]	FRACTIONS	L ≤ 12 [305] = +1 [25] / -0
.XX = ±.02 [.51]	± 1/32	12 [305] < L ≤ 60 [1524] = +2 [51] / -0
.XXX = ±.005 [.13]	ANGLES ± 1°	60 [1524] < L ≤ 120 [3048] = +4 [102] / -0
		120 [3048] < L ≤ 300 [7620] = +6 [152] / -0
		300 [7620] < L = +5%L / -0

THIRD-ANGLE PROJECTION



THE INFORMATION AND
DESIGN IN THIS DOCUMENT
IS THE PROPERTY OF
FAIRVIEW MICROWAVE CORPORATION.
ALL RIGHTS RESERVED.

SHEET 1 OF 1

SCALE N/A

ALL DIMENSIONS SHOWN ARE FOR REFERENCE ONLY.

SIZE A	CAGE CODE 3FKR5	DRAWN BY K.DANG	ITEM NO. FMWCA1001	REV B
-----------	--------------------	--------------------	-----------------------	----------

T-Rev.D