

**WR-102 to SMA Female Waveguide to Coax Adapter
 UG-1493/U Square Cover with 7 GHz to 10 GHz in
 Aluminum, Paint**

The FMWCA1037 is a waveguide to coaxial adapter operating in the Band with a 7 to 10 GHz frequency range. This adapter offers a WR-102 waveguide interface size using a standard UG-1493/U Square Cover Flange. The FMWCA1037 is constructed of Aluminum Alloy and painted to ensure durability. The coaxial connector offered by this adapter uses a SMA Female Connector.

Configuration

| | |
|----------------|------------------------|
| Waveguide Size | WR-102 |
| Flange | UG-1493/U Square Cover |
| RF Connector | SMA Female |
| Impedance | 50 Ohms |
| Body Geometry | Right Angle |

Electrical Specifications

| Description | Min | Typ | Max | Units |
|-----------------|-----|--------|-----|-------|
| Frequency Range | 7 | | 10 | GHz |
| VSWR | | 1.25:1 | | |

Mechanical Specifications

| | |
|----------------------------|-----------------|
| RF Connector | |
| Connector Type | SMA Female |
| Waveguide Interface | |
| Waveguide Type | WR-102 |
| Flange Type | Square Cover |
| Flange Designation | UG-1493/U |
| Body Material and Plating | Aluminum, Paint |

Compliance Certifications (see [product page](#) for current document)

Plotted and Other Data

- Notes:
- Values at +25 °C, sea level unless stated otherwise



Features:

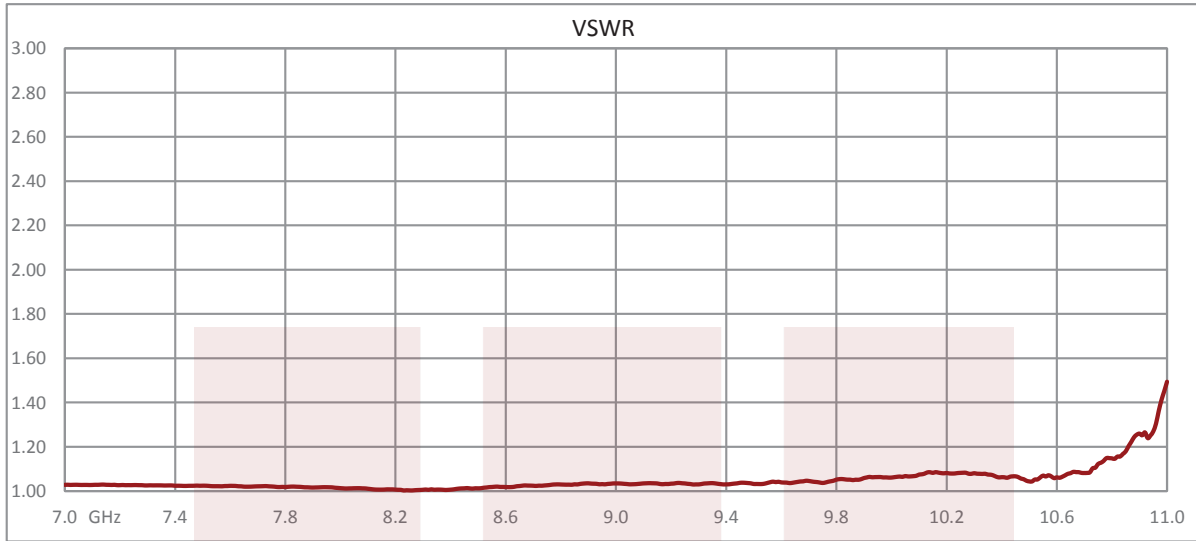
- 7 to 10 GHz Frequency Range
- WR-102 Waveguide Interface
- UG-1493/U Square Cover Flange
- SMA Female RF Interface
- Right Angle

Applications:

- Test Benches
- Radar
- Satellite
- Microwave Radio Systems
- Military and Space
- Communication Systems

Fairview Microwave
 301 Leora Ln., Suite 100
 Lewisville, TX 75056
 Tel: 1-800-715-4396 / (972) 649-6678
 Fax: (972) 649-6689
www.fairviewmicrowave.com
sales@fairviewmicrowave.com

Typical Performance Data

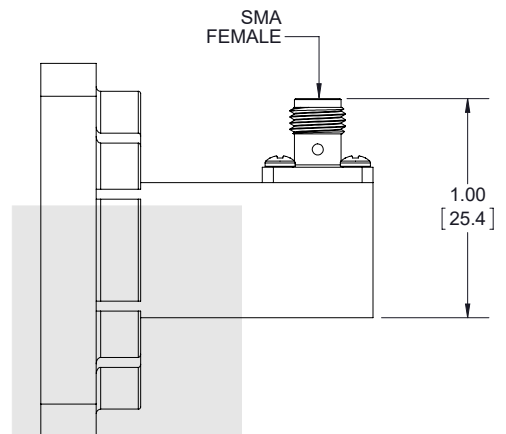
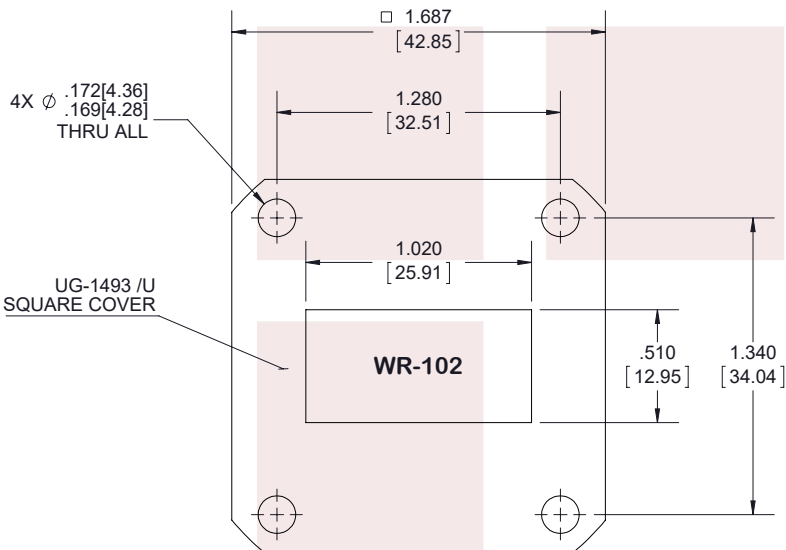
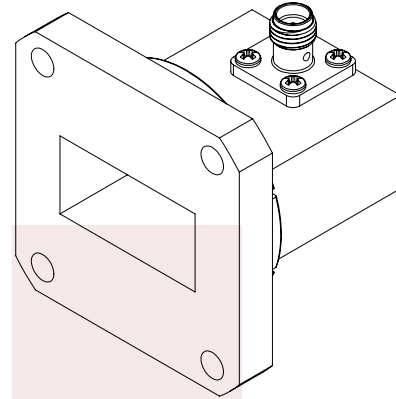
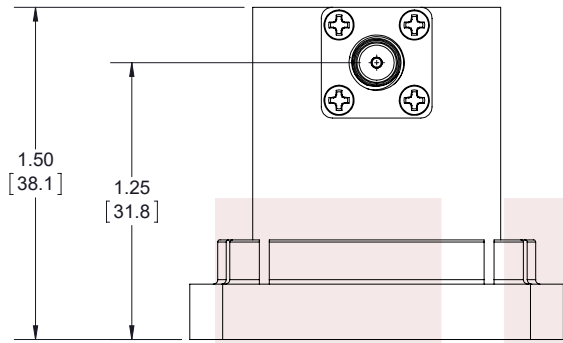


WR-102 to SMA Female Waveguide to Coax Adapter UG-1493/U Square Cover with 7 GHz to 10 GHz in Aluminum, Paint from Fairview Microwave is in-stock and available to ship same-day. All of our RF/microwave products are available off-the-shelf from our ISO 9001:2008 certified facilities in Allen, Texas. Fairview Microwave is RF on-demand.

For additional information on this product, please click the following link: [WR-102 to SMA Female Waveguide to Coax Adapter UG-1493/U Square Cover with 7 GHz to 10 GHz in Aluminum, Paint FMWCA1037](https://www.fairviewmicrowave.com/wr102-sma-female-waveguide-coax-adapter-ug1493-square-fmwca1037-p.aspx)

URL: <https://www.fairviewmicrowave.com/wr102-sma-female-waveguide-coax-adapter-ug1493-square-fmwca1037-p.aspx>

The information contained in this document is accurate to the best of our knowledge and representative of the part described herein. It may be necessary to make modifications to the part and/or the documentation of the part, in order to implement improvements. Fairview Microwave reserves the right to make such changes as required. Unless otherwise stated, all specifications are nominal. Fairview Microwave does not make any representation or warranty regarding the suitability of the part described herein for any particular purpose, and Fairview Microwave does not assume any liability arising out of the use of any part or documentation.



| STANDARD TOLERANCES | |
|---------------------|--------|
| .X | ±0.2 |
| .XX | ±0.01 |
| .XXX | ±0.005 |

*STANDARD TOLERANCES APPLY ONLY TO DIMENSIONS IN INCHES

| | | | | | | |
|---|--------|---|--------|------------------------|-----|-------------|
| FAIRVIEW MICROWAVE INC. ALLEN, TX 75013 WWW.FAIRVIEWMICROWAVE.COM | | NOTES: 1. UNLESS OTHERWISE SPECIFIED ALL DIMENSIONS ARE NOMINAL. 2. ALL SPECIFICATIONS ARE SUBJECT TO CHANGE WITHOUT NOTICE AT ANY TIME. 3. DIMENSIONS ARE IN INCHES [mm]. | | | | |
| TITLE WR-102 to SMA Female Waveguide to Coax Adapter UG-1493/U Square Cover with 7 GHz to 10 GHz in Aluminum, Paint | | DWG NO FMWCA1037 | | CAGE CODE 3FKR5 | | |
| CAD FILE | 100417 | SHEET | 1 OF 1 | SCALE | N/A | SIZE A 7361 |