

**WR-112 to SMA Female Waveguide to Coax Adapter  
 UG-138/U Square Cover with 7.05 GHz to 10 GHz H  
 Band in Aluminum, Paint**

The FMWCA1040 is a waveguide to coaxial adapter operating in the H Band with a 7.05 to 10 GHz frequency range. This adapter offers a WR-112 waveguide interface size using a standard UG-138/U Square Cover Flange. The FMWCA1040 is constructed of Aluminum Alloy and painted to ensure durability. The coaxial connector offered by this adapter uses a SMA Female Connector.

**Configuration**

Waveguide Size	WR-112
Flange	UG-138/U Square Cover
RF Connector	SMA Female
Impedance	50 Ohms
Body Geometry	Right Angle

**Electrical Specifications**

Description	Min	Typ	Max	Units
Frequency Range	7.05		10	GHz
VSWR		1.25:1		

**Mechanical Specifications**

<b>RF Connector</b>	
Connector Type	SMA Female
<b>Waveguide Interface</b>	
Waveguide Type	WR-112
Flange Type	Square Cover
Flange Designation	UG-138/U
Body Material and Plating	Aluminum, Paint

**Compliance Certifications** (see [product page](#) for current document)

**Plotted and Other Data**

- Notes:
- Values at +25 °C, sea level unless stated otherwise



**Features:**

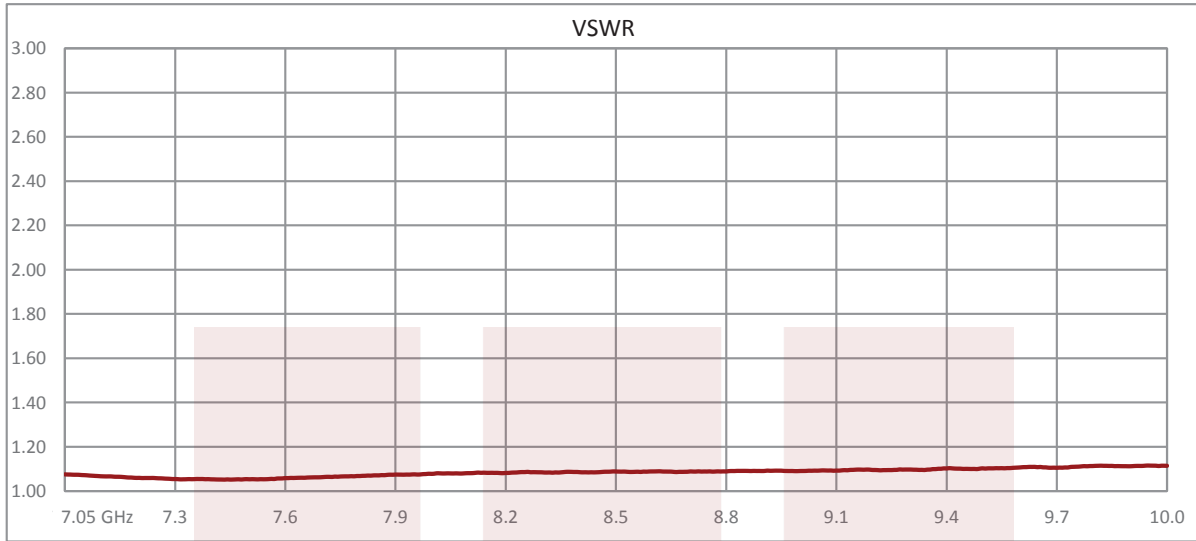
- H Band
- 7.05 to 10 GHz Frequency Range
- WR-112 Waveguide Interface
- UG-138/U Square Cover Flange
- SMA Female RF Interface
- Right Angle

**Applications:**

- Test Benches
- Radar
- Satellite
- Microwave Radio Systems
- Military and Space
- Communication Systems

Fairview Microwave  
 301 Leora Ln., Suite 100  
 Lewisville, TX 75056  
 Tel: 1-800-715-4396 / (972) 649-6678  
 Fax: (972) 649-6689  
[www.fairviewmicrowave.com](http://www.fairviewmicrowave.com)  
[sales@fairviewmicrowave.com](mailto:sales@fairviewmicrowave.com)

**Typical Performance Data**

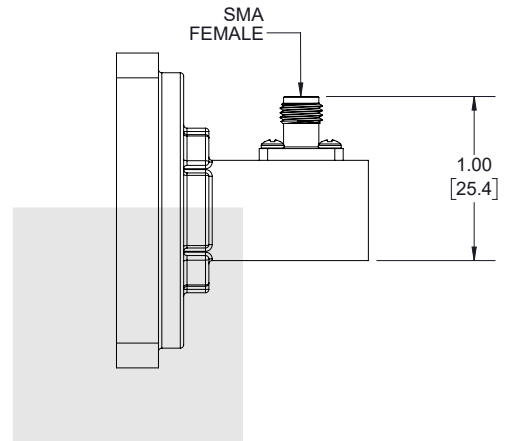
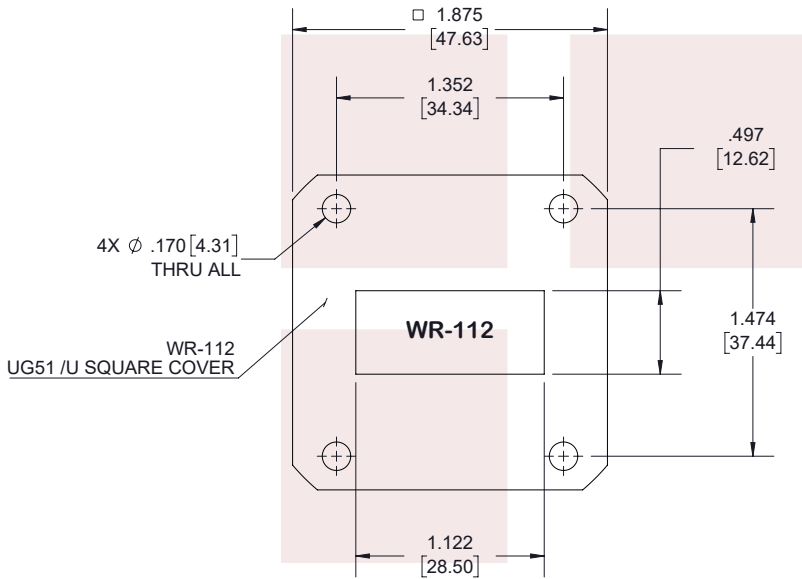
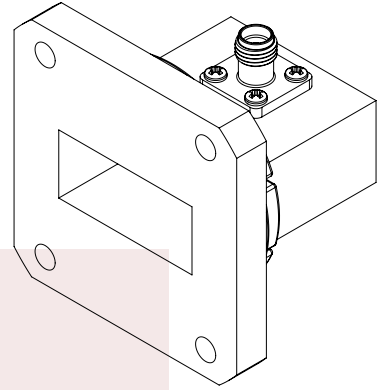
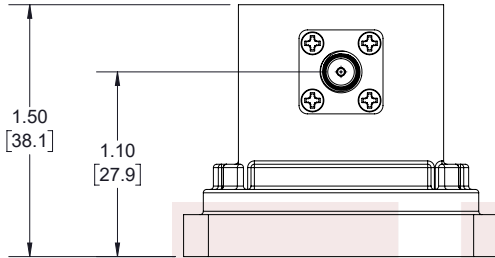


WR-112 to SMA Female Waveguide to Coax Adapter UG-138/U Square Cover with 7.05 GHz to 10 GHz H Band in Aluminum, Paint from Fairview Microwave is in-stock and available to ship same-day. All of our RF/microwave products are available off-the-shelf from our ISO 9001:2008 certified facilities in Allen, Texas. Fairview Microwave is RF on-demand.

For additional information on this product, please click the following link: [WR-112 to SMA Female Waveguide to Coax Adapter UG-138/U Square Cover with 7.05 GHz to 10 GHz H Band in Aluminum, Paint FMWCA1040](#)

URL: <https://www.fairviewmicrowave.com/wr112-sma-female-waveguide-coax-adapter-ug138-square-fmwca1040-p.aspx>

The information contained in this document is accurate to the best of our knowledge and representative of the part described herein. It may be necessary to make modifications to the part and/or the documentation of the part, in order to implement improvements. Fairview Microwave reserves the right to make such changes as required. Unless otherwise stated, all specifications are nominal. Fairview Microwave does not make any representation or warranty regarding the suitability of the part described herein for any particular purpose, and Fairview Microwave does not assume any liability arising out of the use of any part or documentation.



STANDARD TOLERANCES	
.X	±0.2
.XX	±0.01
.XXX	±0.005

\*STANDARD TOLERANCES APPLY ONLY TO DIMENSIONS IN INCHES

		NOTES: 1. UNLESS OTHERWISE SPECIFIED ALL DIMENSIONS ARE NOMINAL. 2. ALL SPECIFICATIONS ARE SUBJECT TO CHANGE WITHOUT NOTICE AT ANY TIME. 3. DIMENSIONS ARE IN INCHES [mm].	
TITLE WR-112 to SMA Female Waveguide to Coax Adapter UG-138/U Square Cover with 7.05 GHz to 10 GHz H Band in Aluminum, Paint		DWG NO <b>FMWCA1040</b>	
		CAGE CODE <b>3FKR5</b>	
CAD FILE	10/02/18	SHEET	1 OF 1
SCALE	N/A	SIZE	A
		7361	