

### WR-62 to Type N Female End Launch Waveguide to Coax Adapter UG-1665/U Square Cover with 12.4 GHz to 18 GHz Ku Band in Aluminum, Paint

The FMWCA1072 is a waveguide to coaxial adapter operating in the Ku Band with a 12.4 to 18 GHz frequency range. This adapter offers a WR-62 waveguide interface size using a standard UG-1665/U Square Cover Flange. The FMWCA1072 is constructed of Aluminum Alloy and painted to ensure durability. The coaxial connector offered by this adapter uses a N Female Connector.

#### Configuration

Waveguide Size	WR-62
Flange	UG-1665/U Square Cover
RF Connector	N Female
Impedance	50 Ohms
Body Geometry	End Launch

#### Electrical Specifications

Description	Min	Typ	Max	Units
Frequency Range	12.4		18	GHz
VSWR		1.3:1		

#### Mechanical Specifications

<b>RF Connector</b>	
Connector Type	N Female
<b>Waveguide Interface</b>	
Waveguide Type	WR-62
Flange Type	Square Cover
Flange Designation	UG-1665/U
Body Material and Plating	Aluminum, Paint

**Compliance Certifications** (see [product page](#) for current document)

#### Plotted and Other Data

- Notes:
- Values at +25 °C, sea level unless stated otherwise



#### Features:

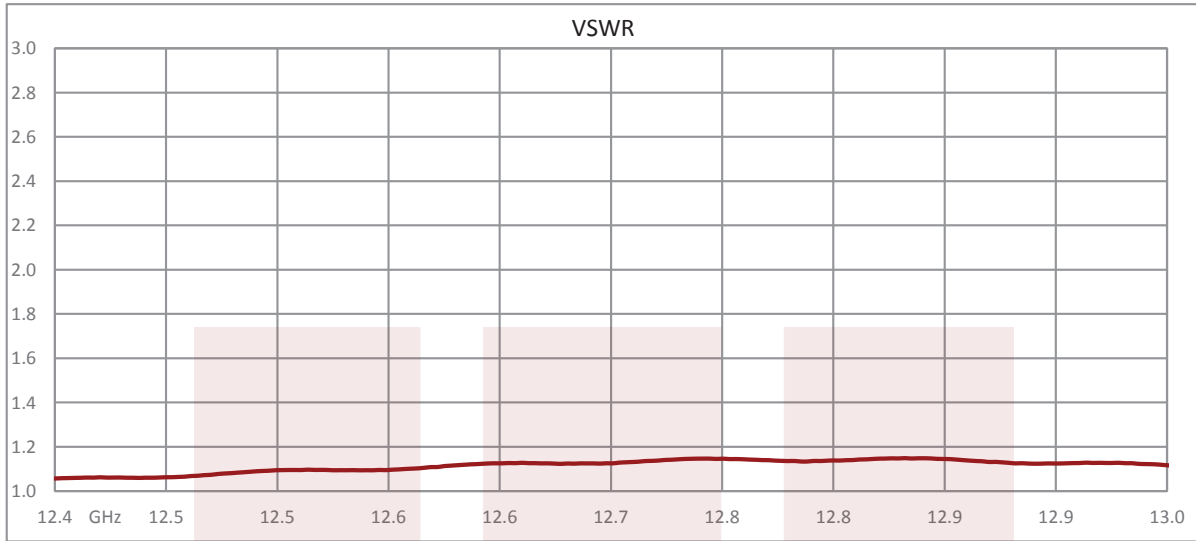
- Ku Band
- 12.4 to 18 GHz Frequency Range
- WR-62 Waveguide Interface
- UG-1665/U Square Cover Flange
- N Female RF Interface
- End Launch

#### Applications:

- Test Benches
- Radar
- Satellite
- Microwave Radio Systems
- Military and Space
- Communication Systems

Fairview Microwave  
301 Leora Ln., Suite 100  
Lewisville, TX 75056  
Tel: 1-800-715-4396 / (972) 649-6678  
Fax: (972) 649-6689  
[www.fairviewmicrowave.com](http://www.fairviewmicrowave.com)  
[sales@fairviewmicrowave.com](mailto:sales@fairviewmicrowave.com)

**Typical Performance Data**

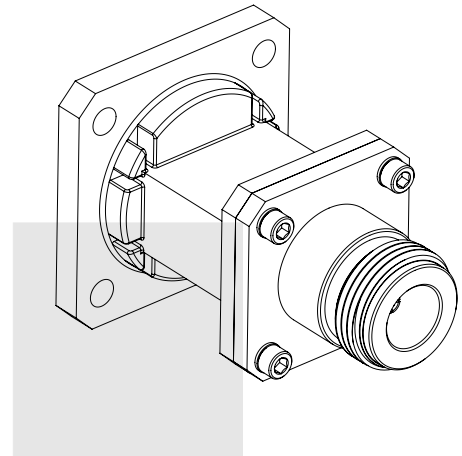
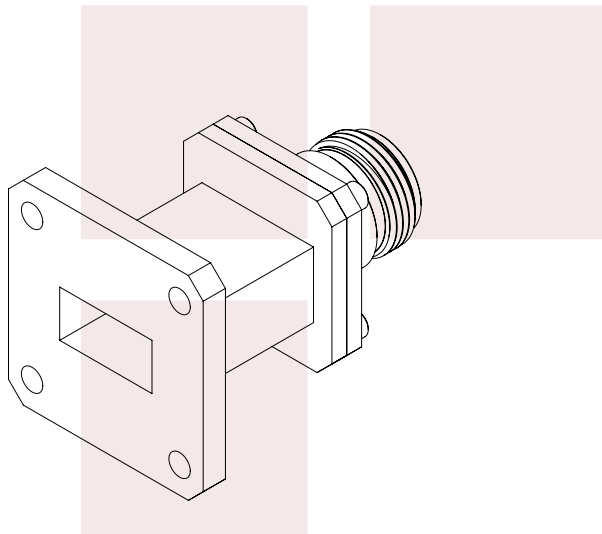
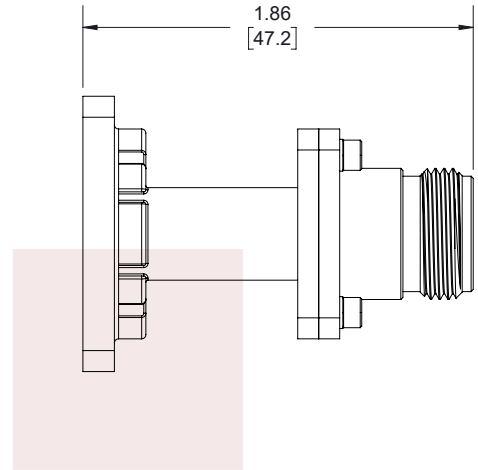
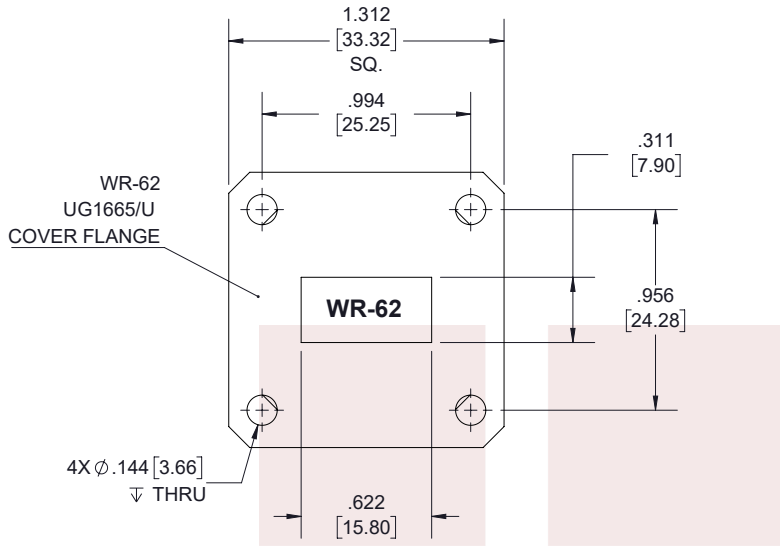


WR-62 to Type N Female End Launch Waveguide to Coax Adapter UG-1665/U Square Cover with 12.4 GHz to 18 GHz Ku Band in Aluminum, Paint from Fairview Microwave is in-stock and available to ship same-day. All of our RF/microwave products are available off-the-shelf from our ISO 9001:2008 certified facilities in Allen, Texas. Fairview Microwave is RF on-demand.

For additional information on this product, please click the following link: [WR-62 to Type N Female End Launch Waveguide to Coax Adapter UG-1665/U Square Cover with 12.4 GHz to 18 GHz Ku Band in Aluminum, Paint FMWCA1072](https://www.fairviewmicrowave.com/wr62-type-n-female-end-launch-waveguide-coax-adapter-ug1665-square-fmwca1072-p.aspx)


URL: <https://www.fairviewmicrowave.com/wr62-type-n-female-end-launch-waveguide-coax-adapter-ug1665-square-fmwca1072-p.aspx>

The information contained in this document is accurate to the best of our knowledge and representative of the part described herein. It may be necessary to make modifications to the part and/or the documentation of the part, in order to implement improvements. Fairview Microwave reserves the right to make such changes as required. Unless otherwise stated, all specifications are nominal. Fairview Microwave does not make any representation or warranty regarding the suitability of the part described herein for any particular purpose, and Fairview Microwave does not assume any liability arising out of the use of any part or documentation.



STANDARD TOLERANCES	
.X	±0.2
.XX	±0.01
.XXX	±0.005

\*STANDARD TOLERANCES APPLY ONLY TO DIMENSIONS IN INCHES

	NOTES: 1. UNLESS OTHERWISE SPECIFIED ALL DIMENSIONS ARE NOMINAL. 2. ALL SPECIFICATIONS ARE SUBJECT TO CHANGE WITHOUT NOTICE AT ANY TIME. 3. DIMENSIONS ARE IN INCHES [mm].					
	DWG NO <b>FMWCA1072</b>			CAGE CODE <b>3FKR5</b>		
TITLE <b>WR-62 to Type N Female End Launch Waveguide to Coax Adapter UG-1665/U Square Cover with 12.4 GHz to 18 GHz Ku Band in Aluminum, Paint</b>						
CAD FILE	11/21/18	SHEET	1 OF 1	SCALE	N/A	SIZE A 7361