

WR-340 to Type N Female Waveguide to Coax Adapter UDR26 with 2.17 GHz to 3.3 GHz K Band in Aluminum

The FMWCA1077 is a waveguide to coaxial adapter operating in the S Band with a 2.17 to 3.3 GHz frequency range. This adapter offers a WR-340 waveguide interface size coupled with a precision tolerance UDR26 flange. The FMWCA1077 is constructed of aluminum and painted to ensure durability. The coaxial connector offered by this adapter uses a N Female connector.

Configuration

| | |
|----------------|-------------|
| Waveguide Size | WR-340 |
| Flange | UDR26 |
| RF Connector | N Female |
| Impedance | 50 Ohms |
| Body Geometry | Right Angle |

Electrical Specifications

| Description | Min | Typ | Max | Units |
|-----------------|------|-----|--------|-------|
| Frequency Range | 2.17 | | 3.3 | GHz |
| VSWR | | | 1.25:1 | |
| Insertion Loss | | | 0.2 | dB |

Mechanical Specifications

Size

| | |
|--------|---------------------|
| Length | 3.35 in [85.09 mm] |
| Width | 5.43 in [137.92 mm] |
| Height | 3.75 in [95.25 mm] |

RF Connector

| | |
|---------------------------|-----------------|
| Connector Type | N Female |
| Body Material and Plating | Stainless Steel |

Waveguide Interface

| | |
|---------------------------|----------|
| Waveguide Type | WR-340 |
| Flange Type | UDR26 |
| Body Material and Plating | Aluminum |

Compliance Certifications (see [product page](#) for current document)

Plotted and Other Data

Notes:

- Values at +25 °C, sea level unless stated otherwise



Features:

- S band
- 2.17 to 3.3 GHz Frequency Range
- WR-340 Waveguide Interface
- UDR26 Flange
- N Female RF Interface
- Comprehensive waveguide offerings also include E-Bends, H-Bends, Sections, Filters, Terminations, Couplers, and more.

Fairview Microwave
 301 Leora Ln., Suite 100
 Lewisville, TX 75056
 Tel: 1-800-715-4396 / (972) 649-6678
 Fax: (972) 649-6689
www.fairviewmicrowave.com
sales@fairviewmicrowave.com

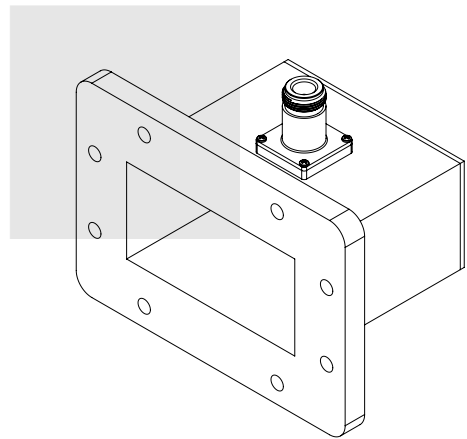
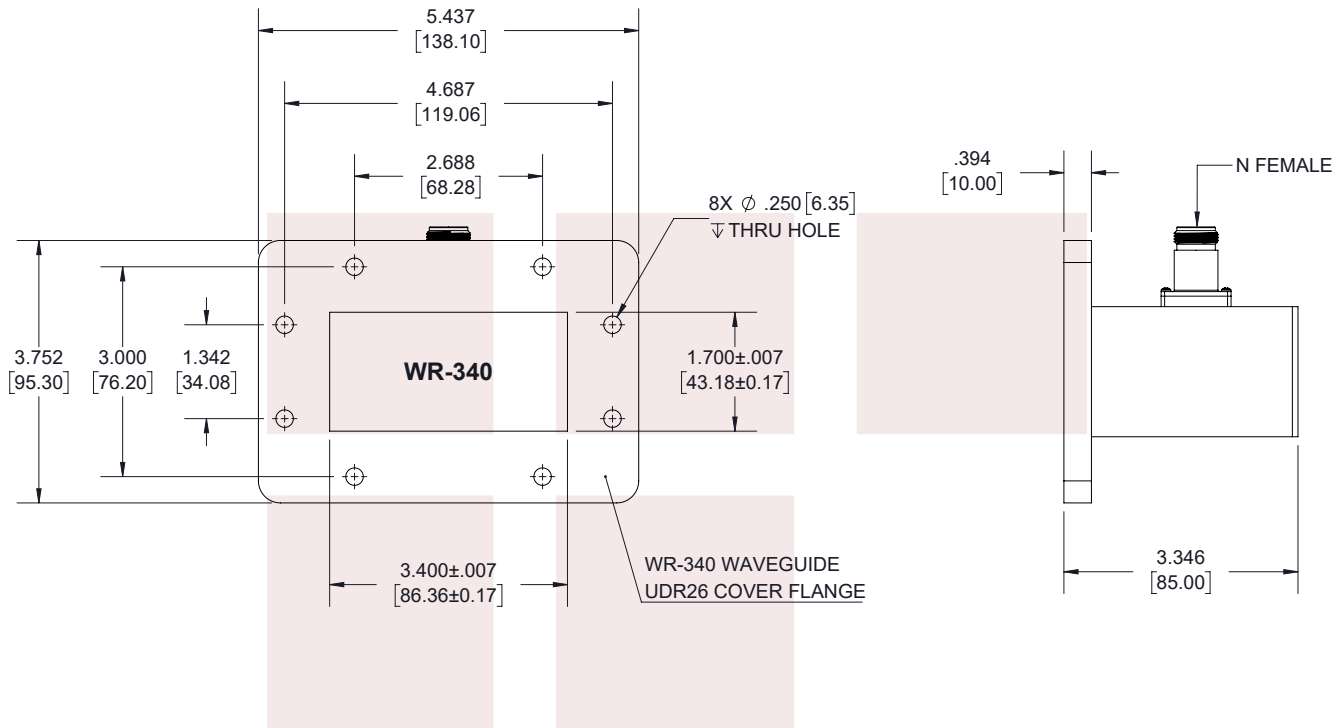
WR-340 to Type N Female Waveguide to Coax Adapter UDR26 with 2.17 GHz to 3.3 GHz K Band in Aluminum from Fairview Microwave is in-stock and available to ship same-day. All of our RF/microwave products are available off-the-shelf from our ISO 9001:2008 certified facilities in Lewisville, Texas. Fairview Microwave is RF on-demand.

For additional information on this product, please click the following link: [WR-340 to Type N Female Waveguide to Coax Adapter UDR26 with 2.17 GHz to 3.3 GHz K Band in Aluminum FMWCA1077](#)

URL: <https://www.fairviewmicrowave.com/wr340-type-n-female-waveguide-coax-adapter-square-fmwca1077-p.aspx>

The information contained in this document is accurate to the best of our knowledge and representative of the part described herein. It may be necessary to make modifications to the part and/or the documentation of the part, in order to implement improvements. Fairview Microwave reserves the right to make such changes as required. Unless otherwise stated, all specifications are nominal. Fairview Microwave does not make any representation or warranty regarding the suitability of the part described herein for any particular purpose, and Fairview Microwave does not assume any liability arising out of the use of any part or documentation.





| STANDARD TOLERANCES | |
|---------------------|--------|
| .X | ±0.2 |
| .XX | ±0.01 |
| .XXX | ±0.005 |

*STANDARD TOLERANCES APPLY ONLY TO DIMENSIONS IN INCHES

| | | | | | | | | |
|--|----------|---|--------|----------------------------|-----|------|---|------|
| <p>Fairview Microwave an INFINIT® brand</p> | | <p>NOTES: 1. UNLESS OTHERWISE SPECIFIED ALL DIMENSIONS ARE NOMINAL. 2. ALL SPECIFICATIONS ARE SUBJECT TO CHANGE WITHOUT NOTICE AT ANY TIME. 3. DIMENSIONS ARE IN INCHES [mm].</p> | | | | | | |
| <p>TITLE WR-340 to Type N Female Waveguide to Coax Adapter UDR26 with 2.17 GHz to 3.3 GHz K Band in Aluminum</p> | | <p>DWG NO FMWCA1077</p> | | <p>CAGE CODE 3FKR5</p> | | | | |
| CAD FILE | 07/03/19 | SHEET | 1 OF 1 | SCALE | N/A | SIZE | A | 7361 |