

## WR-112 to SMA Female End Launch Waveguide to Coax Adapter UBR84 with 6.57 GHz to 9.99 GHz in Aluminum

The FMWCA1106 is an end launch waveguide to coaxial adapter operating at a frequency range of 6.57 GHz to 9.99 GHz. This adapter offers a WR-112 waveguide interface size coupled with a precision tolerance UBR84 flange. The FMWCA1106 is constructed of aluminum and painted gray to ensure durability. The coaxial connector offered by this adapter uses an SMA Female connector.

### Configuration

Waveguide Size	WR-112
Flange	UBR84
RF Connector	SMA Female
Body Geometry	End Launch

### Electrical Specifications

Description	Min	Typ	Max	Units
Frequency Range	6.57		9.99	GHz
VSWR			1.25:1	
Insertion Loss			0.2	dB
Input Power (CW)			50	Watts

### Mechanical Specifications

<b>Size</b>	
Length	1.95 in [49.53 mm]
Width	1.88 in [47.75 mm]
Height	1.88 in [47.75 mm]

<b>RF Connector</b>	
Connector Type	SMA Female

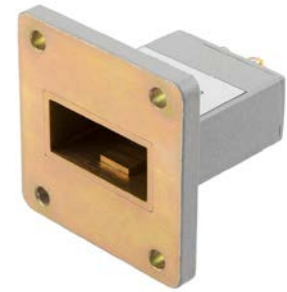
<b>Waveguide Interface</b>	
Waveguide Type	WR-112
Flange Type	UBR84
Body Material and Plating	Aluminum

**Compliance Certifications** (see [product page](#) for current document)

### Plotted and Other Data

Notes:

- Values at +25 °C, sea level unless stated otherwise



### Features:

- 6.57 to 9.99 GHz Frequency Range
- WR-112 Waveguide Interface
- UBR84 Flange
- SMA Female RF Interface
- Comprehensive waveguide offering also include E-Bends, H-Bends, Sections, Filters, Terminations, Couplers, and more.

### Applications:

- Test Benches
- Radar
- Satellite
- Microwave Radio Systems
- Military and Space
- Communication Systems

Fairview Microwave  
 301 Leora Ln., Suite 100  
 Lewisville, TX 75056  
 Tel: 1-800-715-4396 / (972) 649-6678  
 Fax: (972) 649-6689  
[www.fairviewmicrowave.com](http://www.fairviewmicrowave.com)  
[sales@fairviewmicrowave.com](mailto:sales@fairviewmicrowave.com)

WR-112 to SMA Female End Launch Waveguide to Coax Adapter UBR84 with 6.57 GHz to 9.99 GHz in Aluminum from Fairview Microwave is in-stock and available to ship same-day. All of our RF/microwave products are available off-the-shelf from our ISO 9001:2008 certified facilities in Lewisville, Texas. Fairview Microwave is RF on-demand.

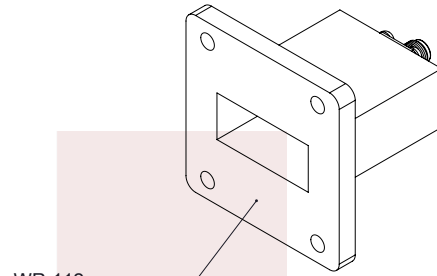
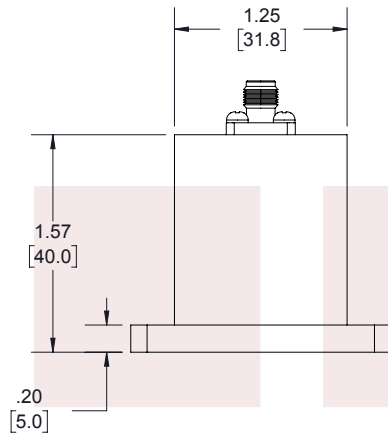
For additional information on this product, please click the following link: [WR-112 to SMA Female End Launch Waveguide to Coax Adapter UBR84 with 6.57 GHz to 9.99 GHz in Aluminum FMWCA1106](#)

URL: <https://www.fairviewmicrowave.com/wr112-sma-female-end-launch-waveguide-coax-adapter-ubr84-fmwca1106-p.aspx>

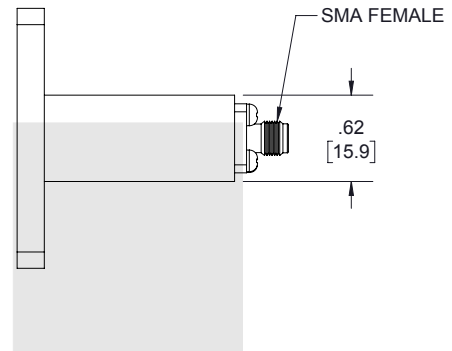
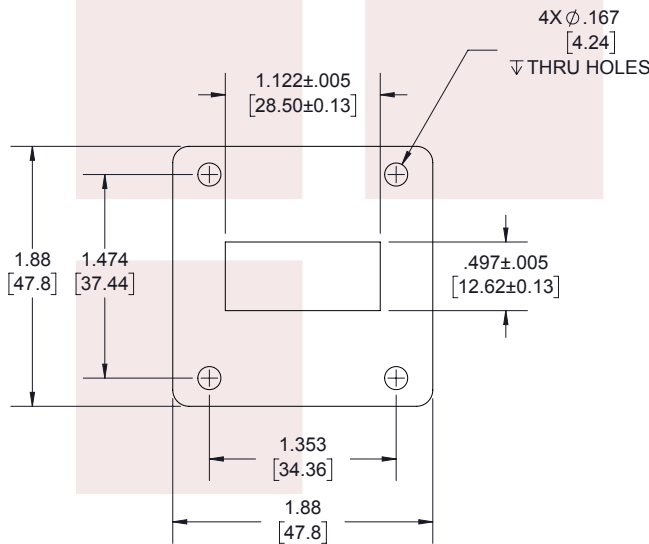
The information contained in this document is accurate to the best of our knowledge and representative of the part described herein. It may be necessary to make modifications to the part and/or the documentation of the part, in order to implement improvements. Fairview Microwave reserves the right to make such changes as required. Unless otherwise stated, all specifications are nominal. Fairview Microwave does not make any representation or warranty regarding the suitability of the part described herein for any particular purpose, and Fairview Microwave does not assume any liability arising out of the use of any part or documentation.



REVISIONS			
REV.	DESCRIPTION	DATE	APPROVED
A	INITIAL RELEASE	05/15/2020	SPONG



WR-112  
UBR84 FLANGE



LABEL:

FAIRVIEW MICROWAVE  
FMWCA1106  
D/C: YYWW

THESE COMMODITIES, TECHNOLOGY OR SOFTWARE WERE EXPORTED FROM THE UNITED STATES IN ACCORDANCE WITH THE EXPORT ADMINISTRATION REGULATIONS. DIVERSION CONTRARY TO U.S. LAW PROHIBITED.

TITLE

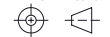
WR-112 to SMA Female End Launch Waveguide to Coax Adapter UBR84 with 6.57 GHz to 9.99 GHz in Aluminum

UNLESS OTHERWISE SPECIFIED LEADING DIMENSIONS ARE INCHES  
DIMENSIONS IN [ ] ARE MILLIMETERS

TOLERANCES: CABLE LENGTH (L) TOLERANCES:

.X = ±.2 [5.08]	FRACTIONS	L ≤ 12 [305] = +1 [25] / -0
.XX = ±.02 [.51]	± 1/32	12 [305] < L ≤ 60 [1524] = +2 [51] / -0
.XXX = ±.005 [.13]	ANGLES ± 1°	60 [1524] < L ≤ 120 [3048] = +4 [102] / -0
		120 [3048] < L ≤ 300 [7620] = +6 [152] / -0
		300 [7620] < L = +5%L / -0

THIRD-ANGLE PROJECTION



THE INFORMATION AND DESIGN IN THIS DOCUMENT IS THE PROPERTY OF FAIRVIEW MICROWAVE CORPORATION. ALL RIGHTS RESERVED.

SHEET 1 OF 1

ALL DIMENSIONS SHOWN ARE FOR REFERENCE ONLY.

SCALE N/A

SIZE A	CAGE CODE 3FKR5	DRAWN BY BPUCHASKI	ITEM NO. FMWCA1106	REV A
-----------	--------------------	-----------------------	-----------------------	----------

T-Rev.D