

## WR-22 to 2.4mm Female End Launch Waveguide to Coax Adapter UG383/U with 33 GHz to 50 GHz in Brass

The FMWCA1110 is an end launch waveguide to coaxial adapter operating at a frequency range of 33 GHz to 50 GHz. This adapter offers a WR-28 waveguide interface size coupled with a precision tolerance UG383/U flange. The FMWCA1110 is constructed of brass with a gold finish to ensure durability. The coaxial connector offered by this adapter uses an 2.4mm Female connector.

### Configuration

Waveguide Size	WR-22
Flange	UG383/U
RF Connector	2.4mm Female
Body Geometry	End Launch

### Electrical Specifications

Description	Min	Typ	Max	Units
Frequency Range	33		50	GHz
VSWR			1.6:1	
Insertion Loss			0.5	dB
Input Power (CW)			10	Watts

### Mechanical Specifications

<b>Size</b>	
Length	0.91 in [23.11 mm]
Width	1.13 in [28.7 mm]
Height	1.13 in [28.7 mm]
Weight	1 lbs [453.59 g]

<b>RF Connector</b>	
Connector Type	2.4mm Female

<b>Waveguide Interface</b>	
Waveguide Type	WR-22
Flange Type	UG383/U
Body Material and Plating	Brass

### Environmental Specifications

<b>Temperature</b>	
Operating Range	-20 to +70 deg C
Storage Range	-40 to +85 deg C

**Compliance Certifications** (see [product page](#) for current document)

### Plotted and Other Data

- Notes:
- Values at +25 °C, sea level unless stated otherwise



### Features:

- 33 to 50 GHz Frequency Range
- WR-22 Waveguide Interface
- UG383/U Flange
- 2.94mm Female RF Interface
- Comprehensive waveguide offering also include E-Bends, H-Bends, Sections, Filters, Terminations, Couplers, and more.

### Applications:

- Test Benches
- Radar
- Satellite
- Microwave Radio Systems
- Military and Space
- Communication Systems

Fairview Microwave  
 301 Leora Ln., Suite 100  
 Lewisville, TX 75056  
 Tel: 1-800-715-4396 / (972) 649-6678  
 Fax: (972) 649-6689  
[www.fairviewmicrowave.com](http://www.fairviewmicrowave.com)  
[sales@fairviewmicrowave.com](mailto:sales@fairviewmicrowave.com)

WR-22 to 2.4mm Female End Launch Waveguide to Coax Adapter UG383/U with 33 GHz to 50 GHz in Brass from Fairview Microwave is in-stock and available to ship same-day. All of our RF/microwave products are available off-the-shelf from our ISO 9001:2008 certified facilities in Lewisville, Texas. Fairview Microwave is RF on-demand.

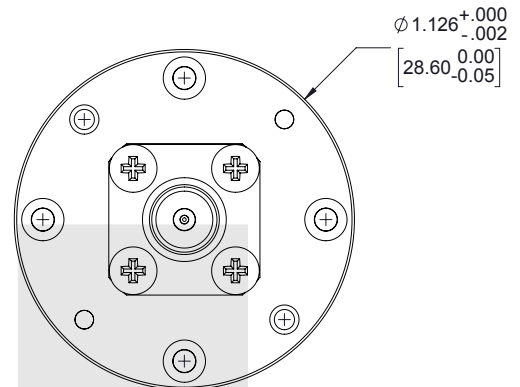
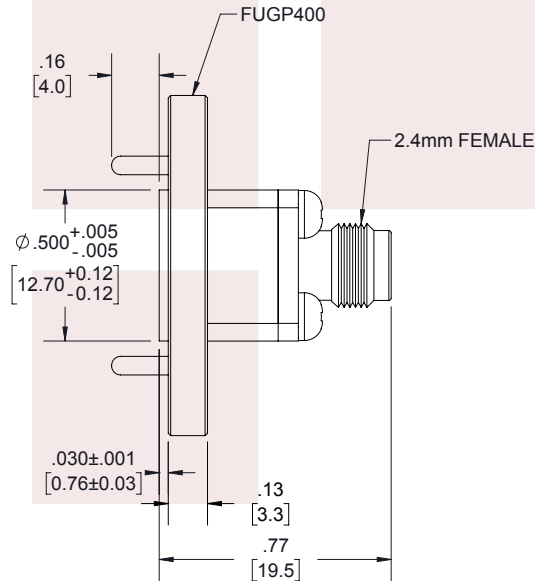
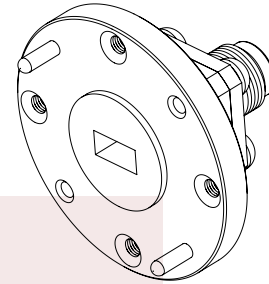
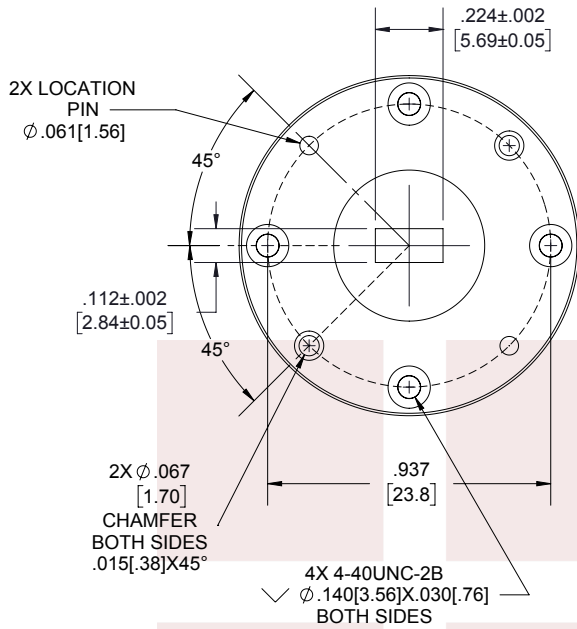
For additional information on this product, please click the following link: [WR-22 to 2.4mm Female End Launch Waveguide to Coax Adapter UG383/U with 33 GHz to 50 GHz in Brass FMWCA1110](#)

URL: <https://www.fairviewmicrowave.com/wr22-2.4mm-female-end-launch-waveguide-coax-adapter-ug383-fmwca1110-p.aspx>

The information contained in this document is accurate to the best of our knowledge and representative of the part described herein. It may be necessary to make modifications to the part and/or the documentation of the part, in order to implement improvements. Fairview Microwave reserves the right to make such changes as required. Unless otherwise stated, all specifications are nominal. Fairview Microwave does not make any representation or warranty regarding the suitability of the part described herein for any particular purpose, and Fairview Microwave does not assume any liability arising out of the use of any part or documentation.



REVISIONS			
REV.	DESCRIPTION	DATE	APPROVED
A	INITIAL RELEASE	05/18/2020	SPONG



LABEL:

FAIRVIEW MICROWAVE  
FMWCA1110  
D/C: YYWW

THESE COMMODITIES, TECHNOLOGY OR SOFTWARE WERE EXPORTED FROM THE UNITED STATES IN ACCORDANCE WITH THE EXPORT ADMINISTRATION REGULATIONS. DIVERSION CONTRARY TO U.S. LAW PROHIBITED.

TITLE

WR-22 to 2.4mm Female End Launch Waveguide to Coax Adapter UG383/U with 33 GHz to 50 GHz in Brass

UNLESS OTHERWISE SPECIFIED LEADING DIMENSIONS ARE INCHES  
DIMENSIONS IN [ ] ARE MILLIMETERS

TOLERANCES: CABLE LENGTH (L) TOLERANCES:

.X = ±.2 [5.08] FRACTIONS L ≤ 12 [305] = +1 [25] / -0  
 .XX = ±.02 [.51] ± 1/32 12 [305] < L ≤ 60 [1524] = +2 [51] / -0  
 .XXX = ±.005 [.13] ANGLES ± 1° 60 [1524] < L ≤ 120 [3048] = +4 [102] / -0  
 120 [3048] < L ≤ 300 [7620] = +6 [152] / -0  
 300 [7620] < L = +5%L / -0

THIRD-ANGLE PROJECTION



THE INFORMATION AND DESIGN IN THIS DOCUMENT IS THE PROPERTY OF FAIRVIEW MICROWAVE CORPORATION. ALL RIGHTS RESERVED.

SHEET 1 OF 1

ALL DIMENSIONS SHOWN ARE FOR REFERENCE ONLY.

SCALE

N/A

SIZE A	CAGE CODE 3FKR5	DRAWN BY BPUCHASKI	ITEM NO. FMWCA1110	REV A
-----------	--------------------	-----------------------	-----------------------	----------

T-Rev.D