

WR-42 UG-597/U Square Cover Flange to 2.92mm Male Waveguide to Coax Adapter Operating from 18 GHz to 26.5 GHz

The FMWCA9813A is a waveguide to coaxial adapter with a 18 to 26.5 GHz frequency range. This adapter offers a WR-42 waveguide interface size coupled with a precision tolerance UG-597/U Square Type flange. The FMWCA9813A is constructed of aluminum to ensure durability and repeatable RF performance. The 2.92mm Male connector mates with commercially available SMA and 3.5mm connectors.

Configuration

Waveguide Size	WR-42
Flange	UG-597/U Square Cover
RF Connector	2.92mm Male
Impedance	50 Ohms
Body Geometry	Right Angle

Electrical Specifications

Description	Min	Typ	Max	Units
Frequency Range	18		26.5	GHz
VSWR			1.4:1	

Mechanical Specifications

Size

Length	1.24 in [31.5 mm]
Width	0.88 in [22.35 mm]
Height	0.69 in [17.53 mm]
Weight	0.05 lbs [22.68 g]

RF Connector

Connector Type	2.92mm Male
Body Material and Plating	Passivated Stainless Steel
Torque	8 in-lbs [0.9 Nm]

Waveguide Interface

Waveguide Type	WR-42
Flange Type	Square Cover
Flange Designation	UG-597/U
Body Material and Plating	Aluminum

Compliance Certifications (see [product page](#) for current document)

Plotted and Other Data

Notes:

- Values at +25 °C, sea level unless stated otherwise



Features:

- 18 to 26.5 GHz Frequency Range
- WR-42 Waveguide Interface
- Square Cover Flange
- 2.92mm Male RF Interface
- Right Angle

Applications:

- Test Benches
- Radar
- Satellite
- Microwave Radio Systems
- Military and Space
- Communication Systems

Fairview Microwave
 301 Leora Ln., Suite 100
 Lewisville, TX 75056
 Tel: 1-800-715-4396 / (972) 649-6678
 Fax: (972) 649-6689
www.fairviewmicrowave.com
sales@fairviewmicrowave.com

WR-42 UG-597/U Square Cover Flange to 2.92mm Male Waveguide to Coax Adapter Operating from 18 GHz to 26.5 GHz from Fairview Microwave is in-stock and available to ship same-day. All of our RF/microwave products are available off-the-shelf from our ISO 9001:2008 certified facilities in Lewisville, Texas. Fairview Microwave is RF on-demand.

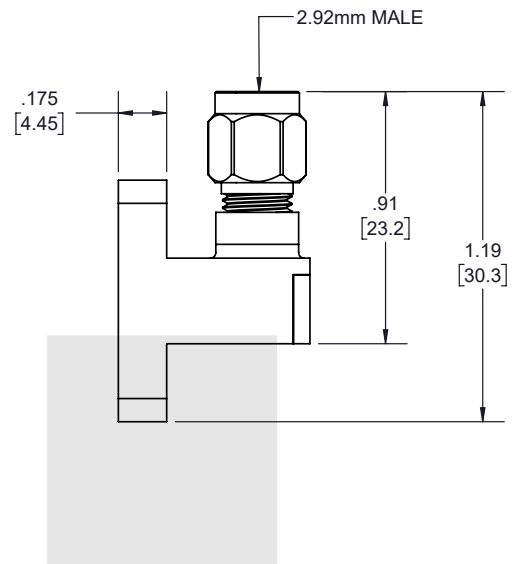
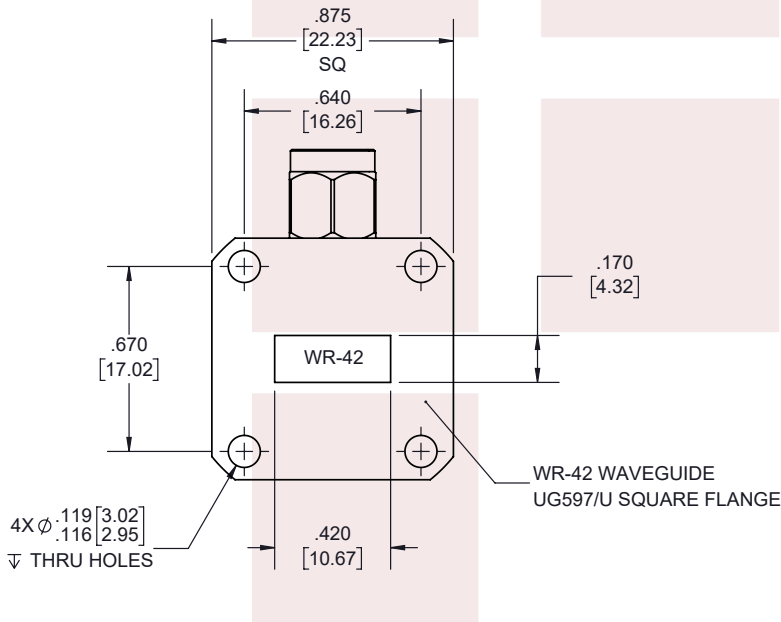
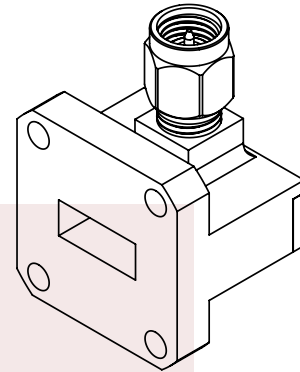
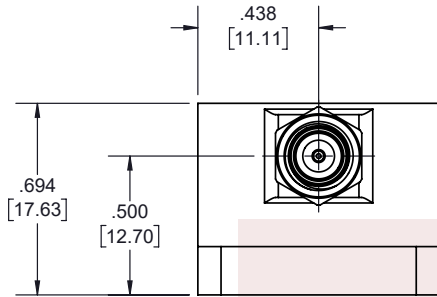
For additional information on this product, please click the following link: [WR-42 UG-597/U Square Cover Flange to 2.92mm Male Waveguide to Coax Adapter Operating from 18 GHz to 26.5 GHz FMWCA9813A](#)

URL: <https://www.fairviewmicrowave.com/wr42-2.92mm-male-waveguide-coax-adapter-ug597-square-fmwca9813a-p.aspx>

The information contained in this document is accurate to the best of our knowledge and representative of the part described herein. It may be necessary to make modifications to the part and/or the documentation of the part, in order to implement improvements. Fairview Microwave reserves the right to make such changes as required. Unless otherwise stated, all specifications are nominal. Fairview Microwave does not make any representation or warranty regarding the suitability of the part described herein for any particular purpose, and Fairview Microwave does not assume any liability arising out of the use of any part or documentation.



REVISIONS			
REV.	DESCRIPTION	DATE	APPROVED
A	INITIAL RELEASE	3/14/2022	S. PONG



THESE COMMODITIES, TECHNOLOGY OR SOFTWARE WERE EXPORTED FROM THE UNITED STATES IN ACCORDANCE WITH THE EXPORT ADMINISTRATION REGULATIONS. DIVERSION CONTRARY TO U.S. LAW PROHIBITED.

TITLE
WR-42 UG-597/U Square Cover Flange to 2.92mm Male Waveguide to Coax Adapter Operating from 18 GHz to 26.5 GHz

UNLESS OTHERWISE SPECIFIED LEADING DIMENSIONS ARE INCHES
DIMENSIONS IN [] ARE MILLIMETERS

TOLERANCES: CABLE LENGTH (L) TOLERANCES:

.X = ±.2 [5.08]	FRACTIONS	L ≤ 12 [305] = +1 [25] / -0
.XX = ±.02 [.51]	± 1/32	12 [305] < L ≤ 60 [1524] = +2 [51] / -0
.XXX = ±.005 [.13]	ANGLES ± 1°	60 [1524] < L ≤ 120 [3048] = +4 [102] / -0
		120 [3048] < L ≤ 300 [7620] = +6 [152] / -0
		300 [7620] < L = +5%L / -0

THIRD-ANGLE PROJECTION



THE INFORMATION AND DESIGN IN THIS DOCUMENT IS THE PROPERTY OF FAIRVIEW MICROWAVE CORPORATION. ALL RIGHTS RESERVED.

SHEET 1 OF 1

ALL DIMENSIONS SHOWN ARE FOR REFERENCE ONLY.

SCALE N/A

SIZE A	CAGE CODE 3FKR5	DRAWN BY K.DANG	ITEM NO. FMWCA9813A	REV A
-----------	--------------------	--------------------	------------------------	----------

T-Rev.D