

WR-187 CMR-187 Flange to SMA Female Waveguide to Coax Adapter Operating from 3.95 GHz to 5.85 GHz

The FMWCA9832 is a waveguide to coaxial adapter operating in the C band with a 3.95 to 5.85 GHz frequency range. This adapter offers a WR-187 waveguide interface size coupled with a precision tolerance CMR-187 flange. The FMWCA9832 is constructed of aluminum to ensure durability and repeatable RF performance. The SMA Female connector mates with commercially available 2.92mm and 3.5mm connectors. The package is REACH and RoHS compliant.

Configuration

Waveguide Size	WR-187
Flange	CMR-187
RF Connector	SMA Female
Impedance	50 Ohms
Body Geometry	Right Angle

Electrical Specifications

Description	Min	Typ	Max	Units
Frequency Range	3.95		5.85	GHz
VSWR			1.3:1	
Input Power (Peak)			150	Watts

Mechanical Specifications

Size

Length	1.82 in [46.23 mm]
Width	2.78 in [70.61 mm]
Height	1.88 in [47.75 mm]
Weight	0.3 lbs [136.08 g]

RF Connector

Connector Type	SMA Female
Body Material and Plating	Stainless Steel

Waveguide Interface

Waveguide Type	WR-187
Flange Type	CMR-187
Body Material and Plating	Aluminum

Environmental Specifications

Temperature

Operating Range	-40 to +85 deg C
-----------------	------------------

Compliance Certifications (see [product page](#) for current document)

Plotted and Other Data

Notes:

- Values at +25 °C, sea level unless stated otherwise



Features:

- 3.95 to 5.85 GHz Frequency Range
- WR-187 Waveguide Interface
- CMR-187 Flange
- SMA Female RF Interface
- Right Angle

Applications:

- Test Benches
- Radar
- Satellite
- Microwave Radio Systems
- Military and Space
- Communication Systems

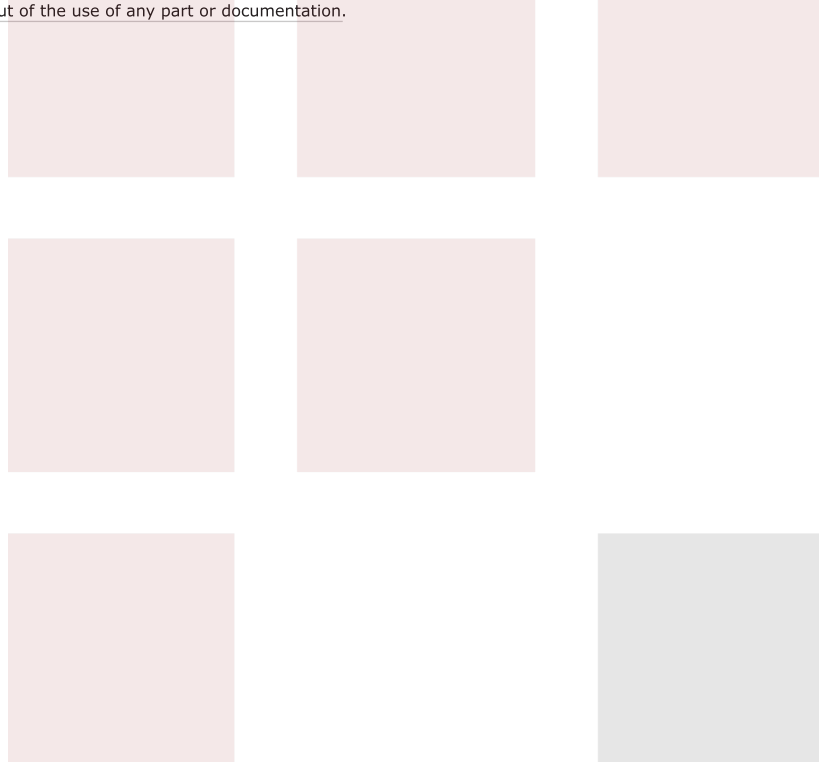
Fairview Microwave
301 Leora Ln., Suite 100
Lewisville, TX 75056
Tel: 1-800-715-4396 / (972) 649-6678
Fax: (972) 649-6689
www.fairviewmicrowave.com
sales@fairviewmicrowave.com

WR-187 CMR-187 Flange to SMA Female Waveguide to Coax Adapter Operating from 3.95 GHz to 5.85 GHz from Fairview Microwave is in-stock and available to ship same-day. All of our RF/microwave products are available off-the-shelf from our ISO 9001:2008 certified facilities in Lewisville, Texas. Fairview Microwave is RF on-demand.

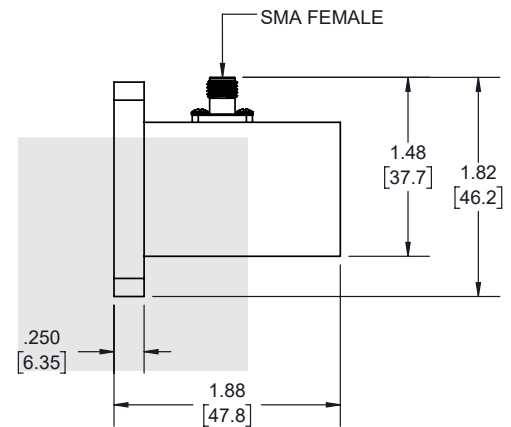
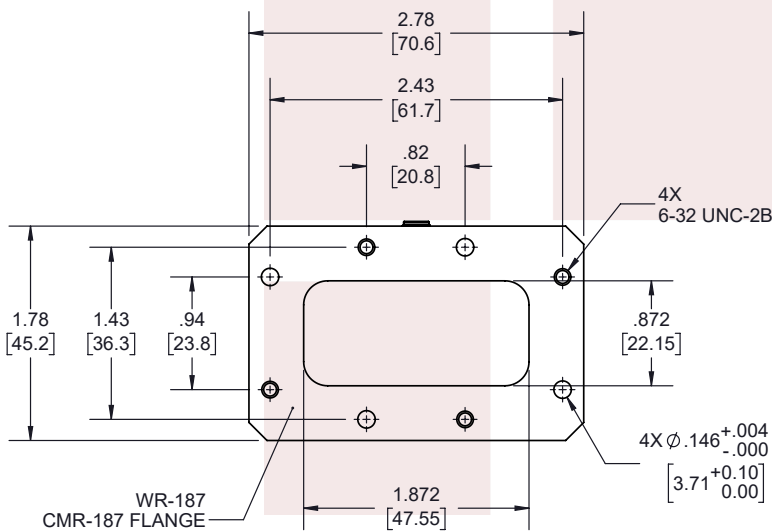
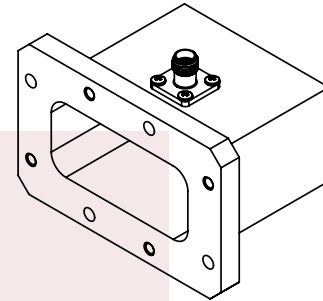
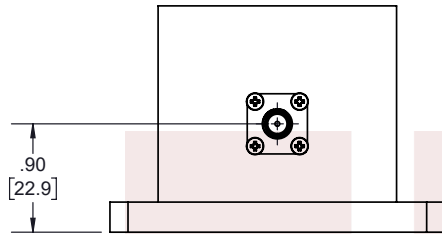
For additional information on this product, please click the following link: [WR-187 CMR-187 Flange to SMA Female Waveguide to Coax Adapter Operating from 3.95 GHz to 5.85 GHz FMWCA9832](#)

URL: <https://www.fairviewmicrowave.com/wr187-sma-female-waveguide-coax-adapter-cmr-187-fmwca9832-p.aspx>

The information contained in this document is accurate to the best of our knowledge and representative of the part described herein. It may be necessary to make modifications to the part and/or the documentation of the part, in order to implement improvements. Fairview Microwave reserves the right to make such changes as required. Unless otherwise stated, all specifications are nominal. Fairview Microwave does not make any representation or warranty regarding the suitability of the part described herein for any particular purpose, and Fairview Microwave does not assume any liability arising out of the use of any part or documentation.



REVISIONS			
REV.	DESCRIPTION	DATE	APPROVED
A	INITIAL RELEASE	3/15/2022	S. PONG



THESE COMMODITIES, TECHNOLOGY OR SOFTWARE WERE EXPORTED FROM THE UNITED STATES IN ACCORDANCE WITH THE EXPORT ADMINISTRATION REGULATIONS. DIVERSION CONTRARY TO U.S. LAW PROHIBITED.

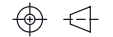
TITLE
WR-187 CMR-187 Flange to SMA Female Waveguide to Coax Adapter Operating from 3.95 GHz to 5.85 GHz

UNLESS OTHERWISE SPECIFIED LEADING DIMENSIONS ARE INCHES
DIMENSIONS IN [] ARE MILLIMETERS

TOLERANCES: CABLE LENGTH (L) TOLERANCES:

.X = ±.2 [5.08]	FRACTIONS	L ≤ 12 [305] = +1 [25] / -0
.XX = ±.02 [.51]	± 1/32	12 [305] < L ≤ 60 [1524] = +2 [51] / -0
.XXX = ±.005 [.13]	ANGLES ± 1°	60 [1524] < L ≤ 120 [3048] = +4 [102] / -0
		120 [3048] < L ≤ 300 [7620] = +6 [152] / -0
		300 [7620] < L = +5%L / -0

THIRD-ANGLE PROJECTION



THE INFORMATION AND DESIGN IN THIS DOCUMENT IS THE PROPERTY OF FAIRVIEW MICROWAVE CORPORATION. ALL RIGHTS RESERVED.

SHEET 1 OF 1

ALL DIMENSIONS SHOWN ARE FOR REFERENCE ONLY.

SCALE N/A

SIZE A	CAGE CODE 3FKR5	DRAWN BY K.DANG	ITEM NO. FMWCA9832	REV A
-----------	--------------------	--------------------	-----------------------	----------

T-Rev.D